

[54] FENCE PANEL OR THE LIKE
 [76] Inventor: Stanley C. Wilder, 7920 Buford,
 Dallas, Tex. 75241
 [**] Term: 14 Years
 [21] Appl. No.: 280,306
 [22] Filed: Jul. 6, 1981
 [52] U.S. Cl. D25/38; D25/93
 [58] Field of Search D25/38, 80, 92, 93,
 D25/96; 256/1, 21, 24, 25, 73

4,329,824 5/1982 Lowe 52/732 X

Primary Examiner—A. Hugo Word
Attorney, Agent, or Firm—Kanz & Timmons

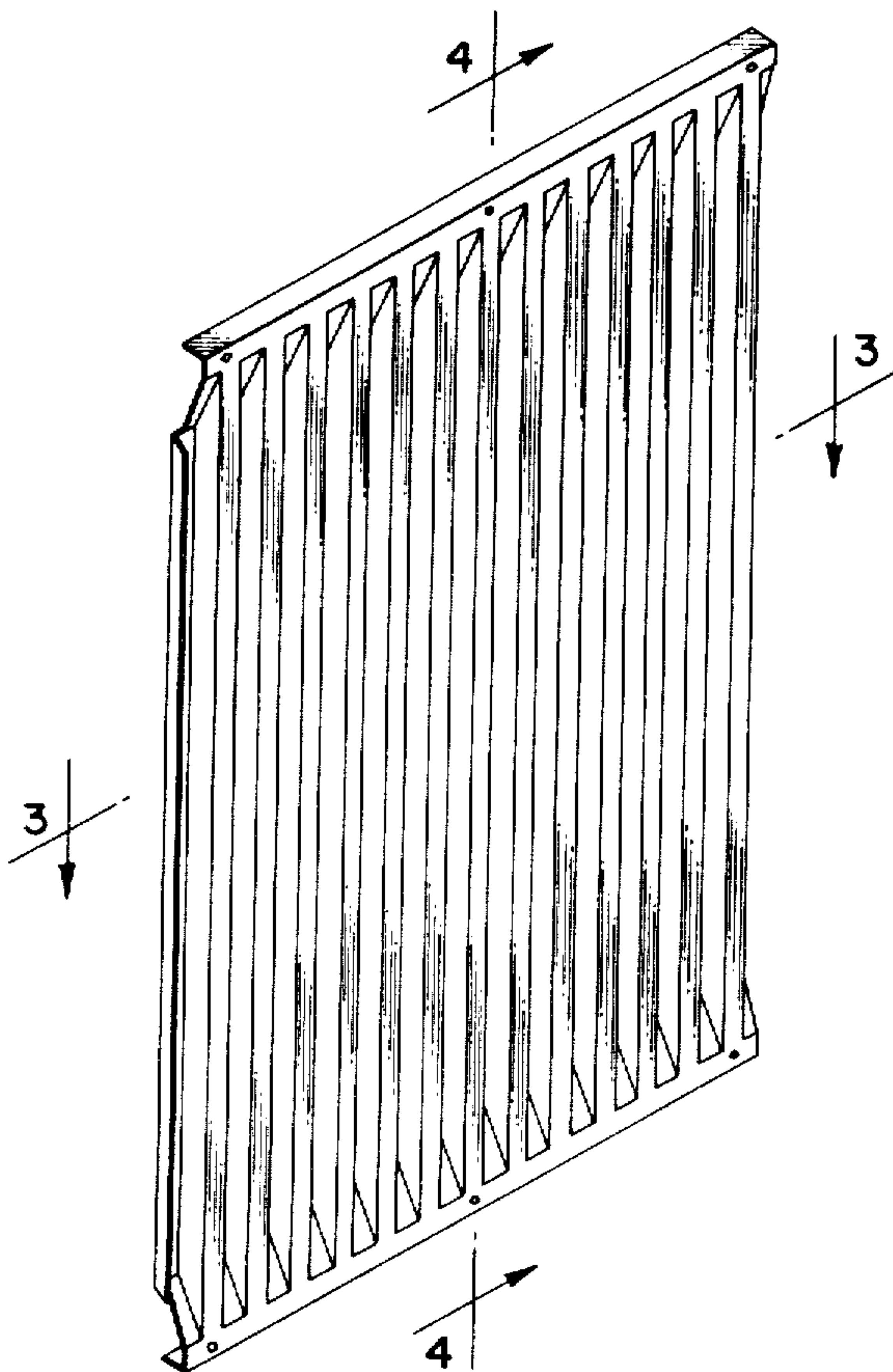
[57] CLAIM

The ornamental design for a fence panel or the like,
substantially as shown.

DESCRIPTION

FIG. 1 is a front perspective view of the fence panel or
the like in accordance with my new design;
FIG. 2 is a rear perspective view of the invention illus-
trated in FIG. 1;
FIG. 3 is a sectional view taken along line 3—3 of FIG.
1; and
FIG. 4 is a sectional view taken along line 4—4 of FIG.
1.

[56] References Cited
U.S. PATENT DOCUMENTS
D. 233,769 11/1974 Wilder D25/38
D. 248,571 7/1978 Herbst D25/38
3,059,288 10/1962 Fraenkel 49/61



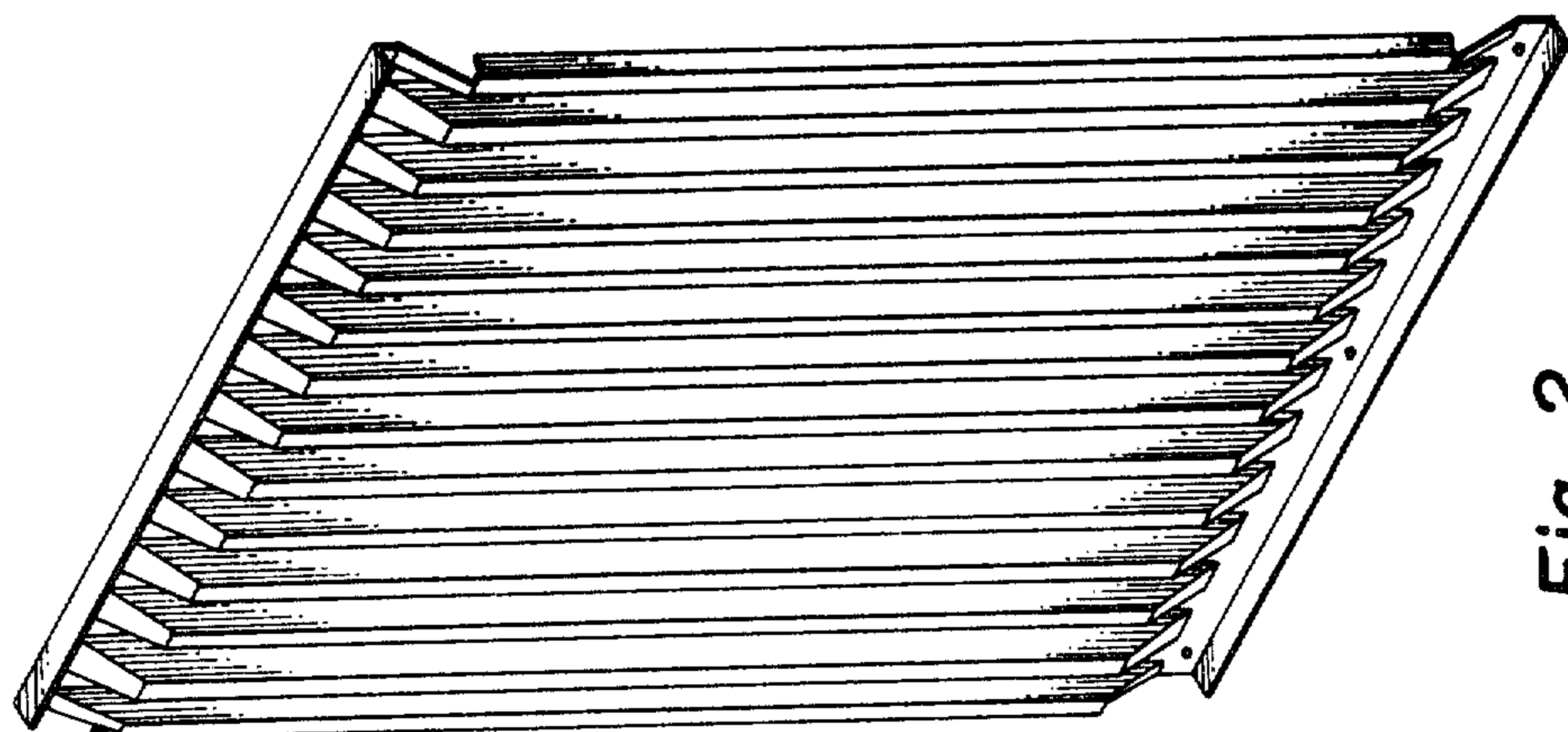


Fig. 2

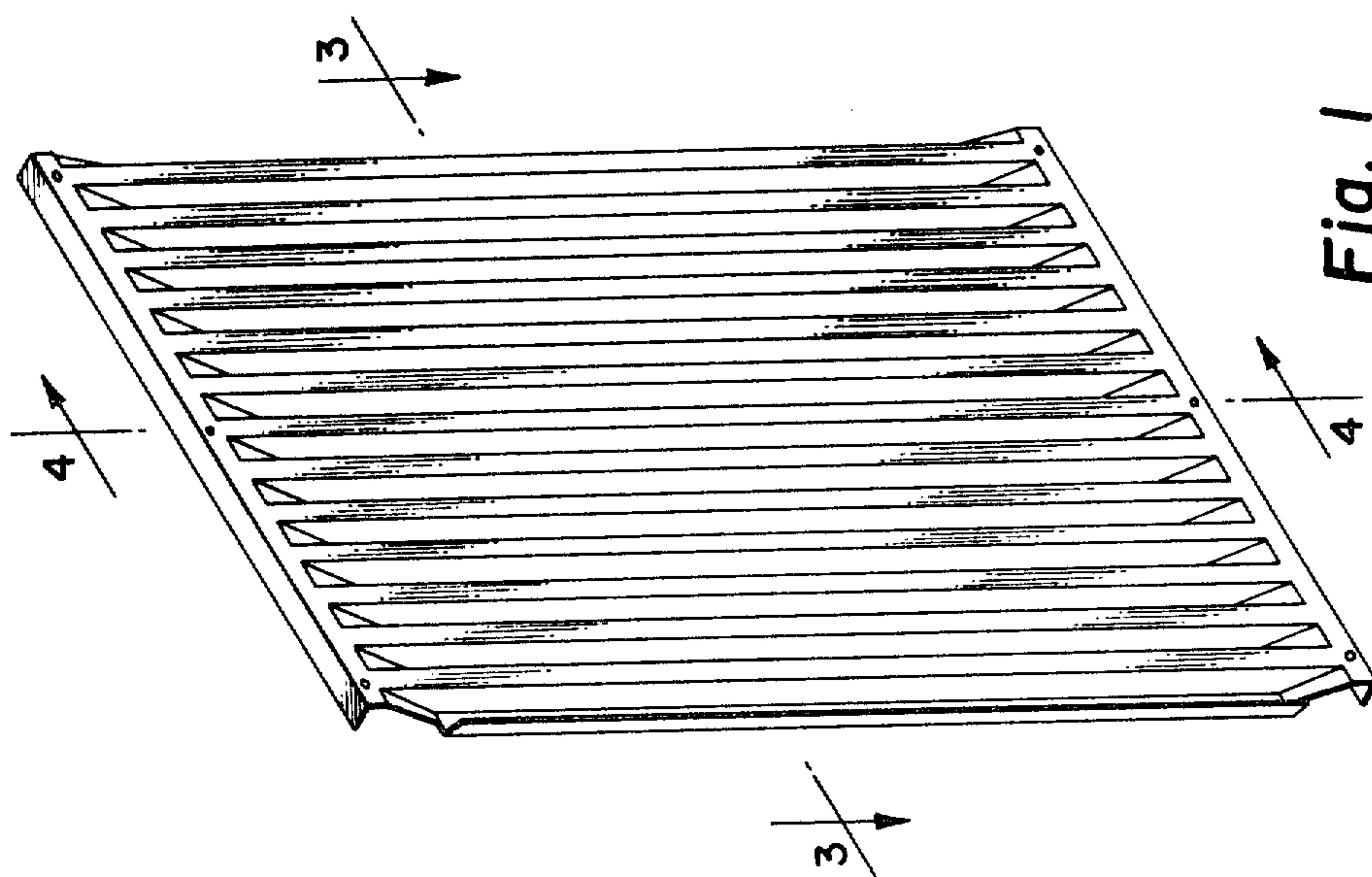


Fig. 1

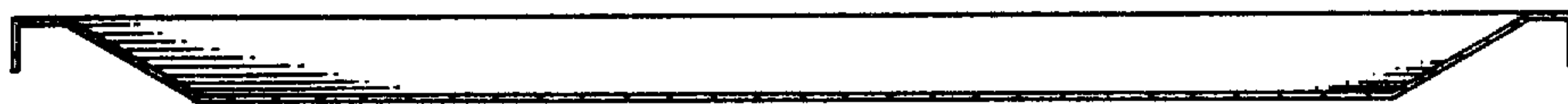


Fig. 4



Fig. 3