

[54] HOUSING FOR A TRANSCUTANEOUS ELECTRONIC NERVE STIMULATOR

[75] Inventor: Richard L. Walus, Norwell, Mass.

[73] Assignee: Codman & Shurtleff, Inc., Randolph, Mass.

[**] Term: 14 Years

[21] Appl. No.: 290,916

[22] Filed: Aug. 7, 1981

[52] U.S. Cl. D24/41; D24/8

[58] Field of Search 128/419 R, 419 P, 420-423; D24/41, 8, 36

[56] References Cited

U.S. PATENT DOCUMENTS

D. 256,393	8/1980	Walus et al.	D24/41
D. 256,394	8/1980	Walus et al.	D24/41
D. 261,551	10/1981	Boroda	D24/36 X

D. 261,552	10/1981	Boroda	D24/36 X
4,157,087	6/1979	Miller et al.	128/422 X
4,289,136	9/1981	Rienzo, Sr.	128/421

Primary Examiner—Bernard Ansher
Attorney, Agent, or Firm—Donal B. Tobin

[57] CLAIM

The ornamental design for a housing for a transcutaneous electronic nerve stimulator, as shown and described.

DESCRIPTION

FIG. 1 is a top perspective view of a housing for a transcutaneous electronic nerve stimulator showing my design;

FIG. 2 is a top plan view thereof;

FIG. 3 is a side elevation view thereof;

FIG. 4 is a bottom plan view thereof; and,

FIG. 5 is an end elevation as seen in the direction of lines 5—5 in FIG. 3.

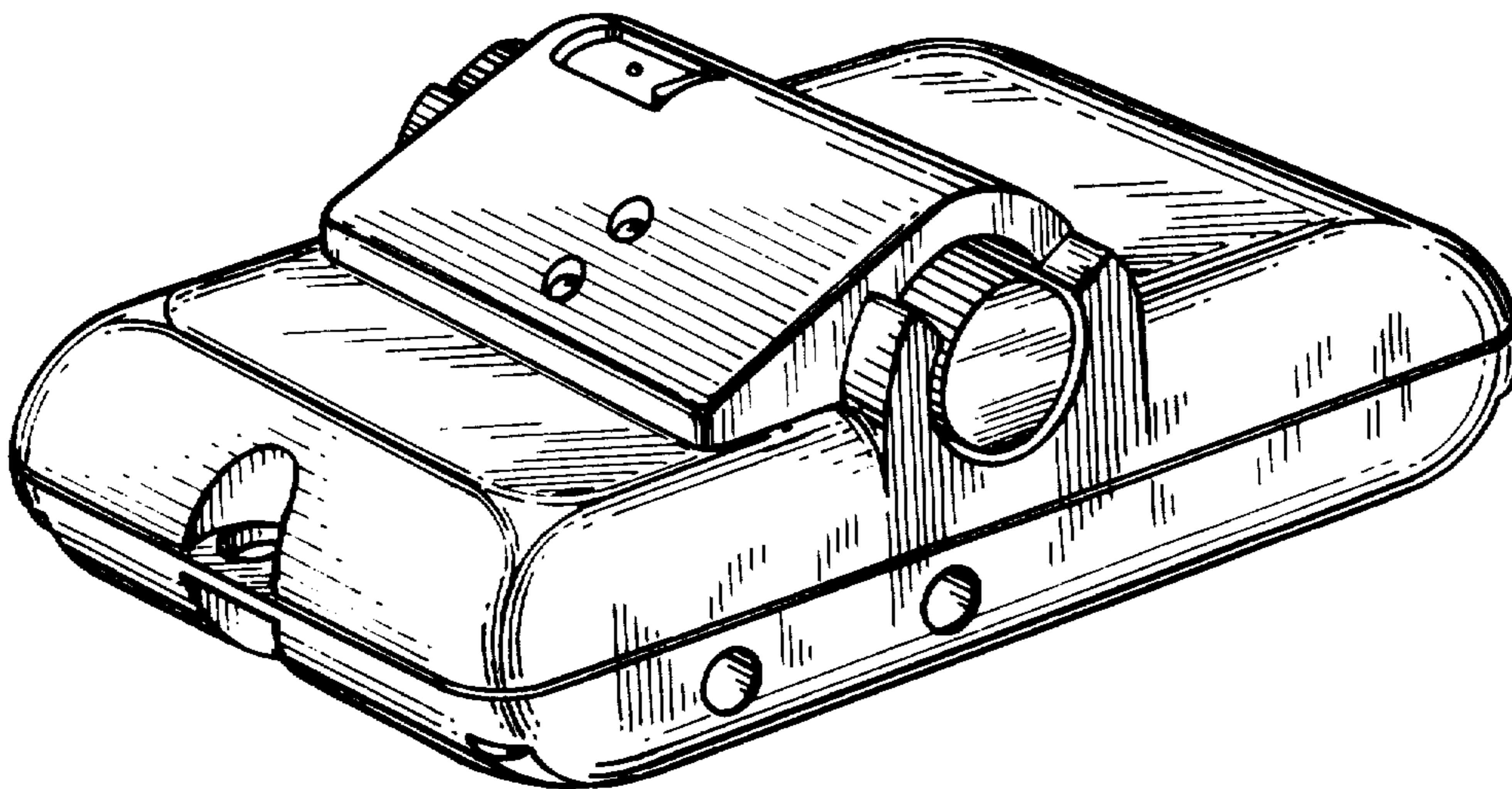


Fig. 1.

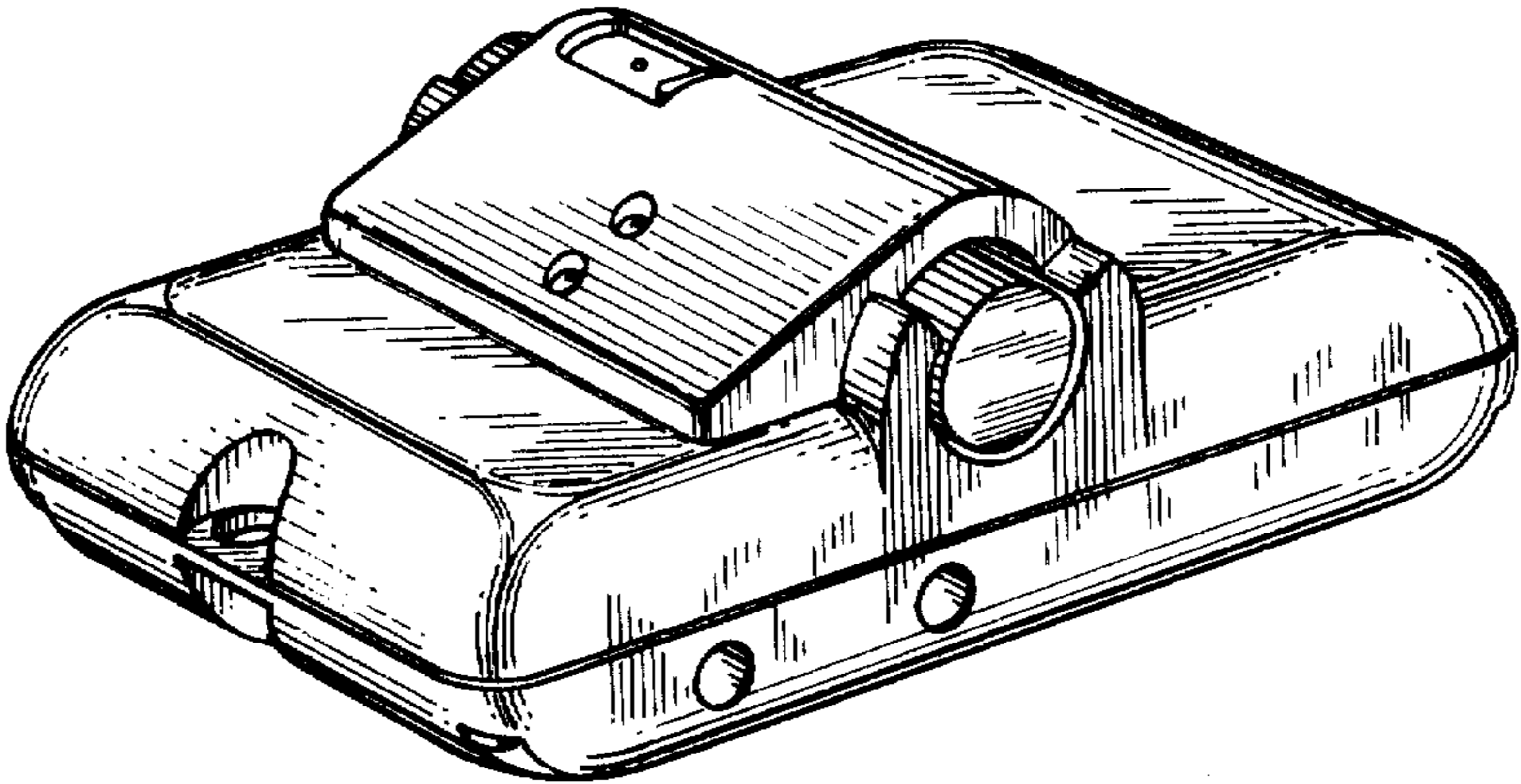


Fig. 5.

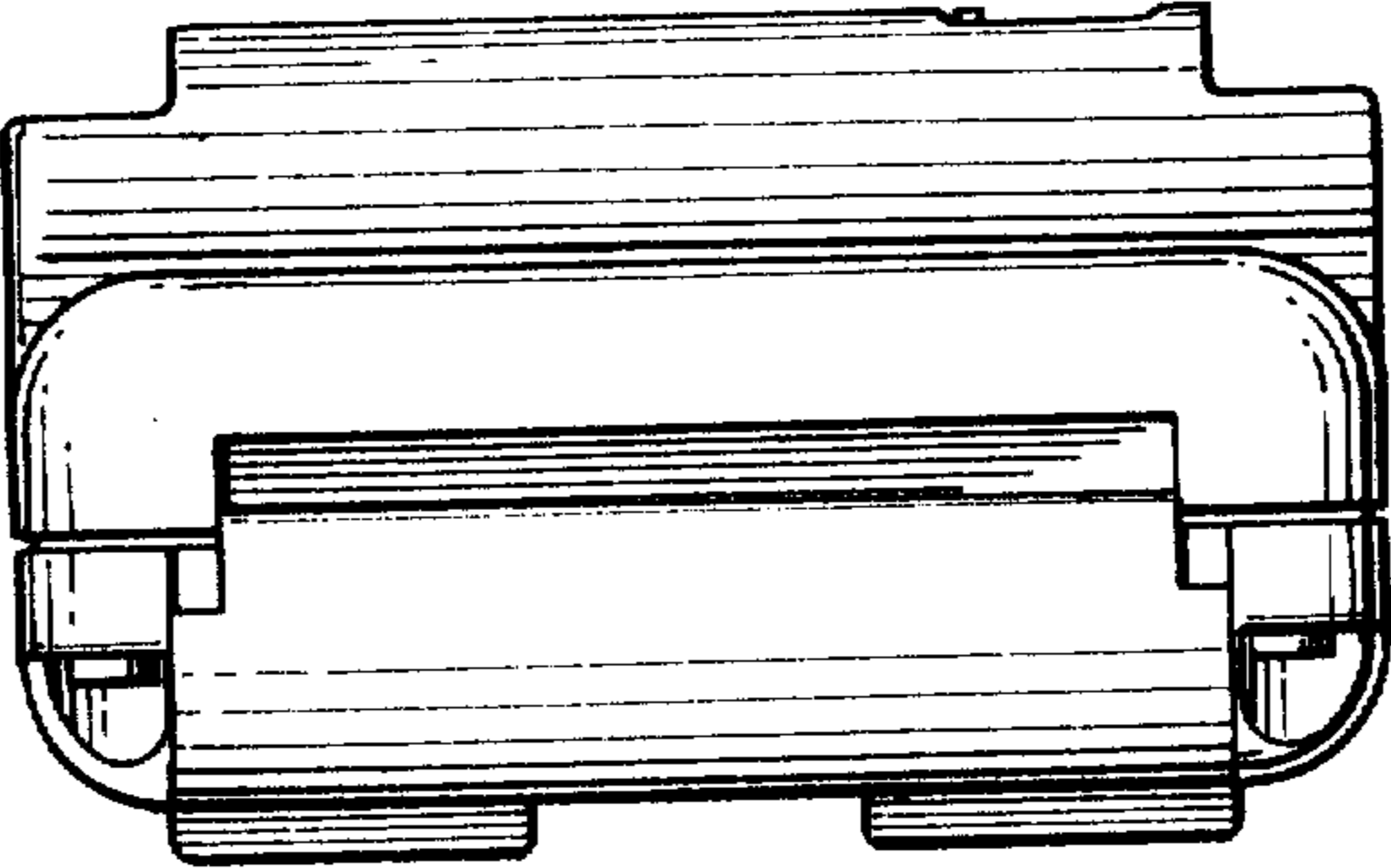


Fig. 2.

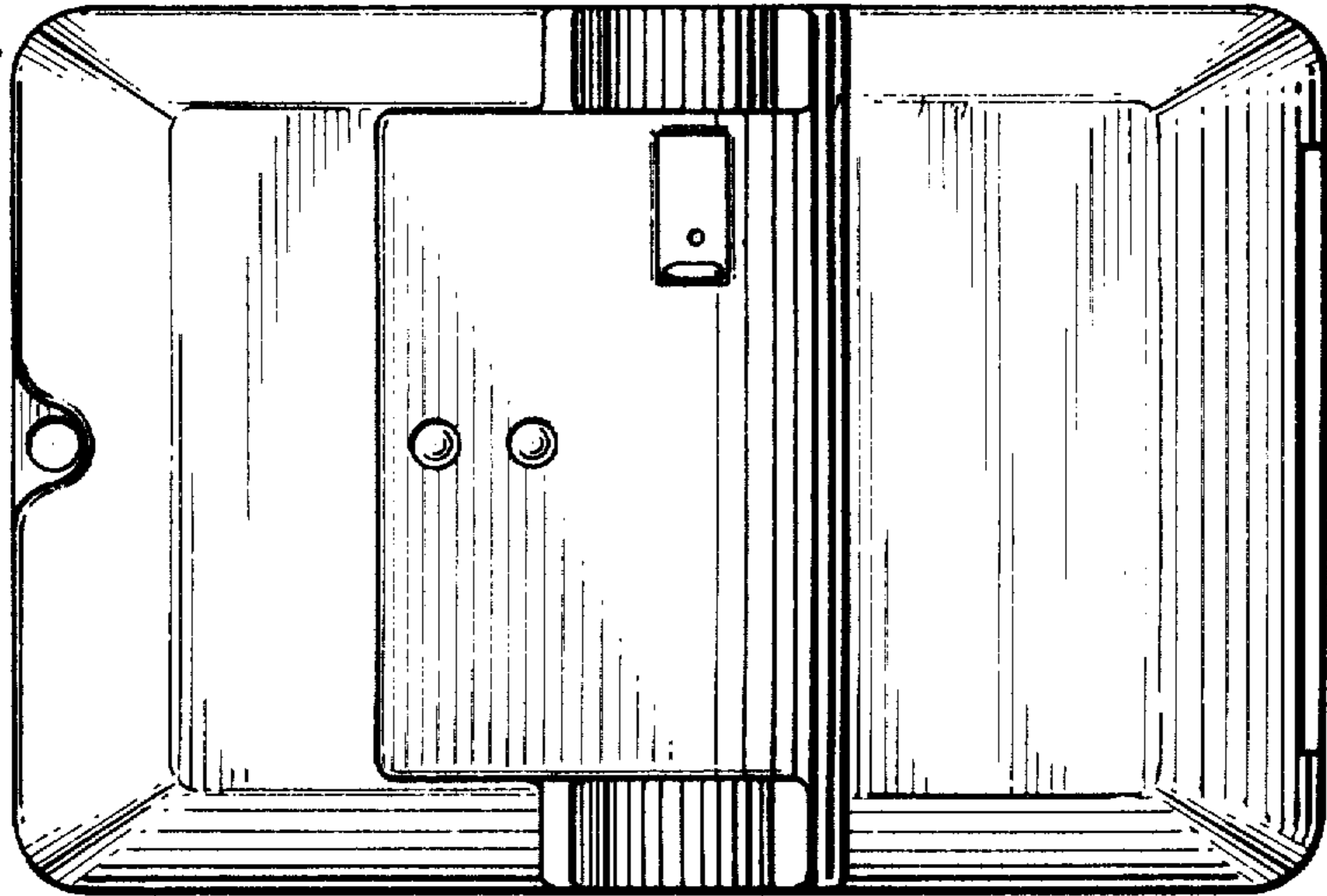


Fig. 3.

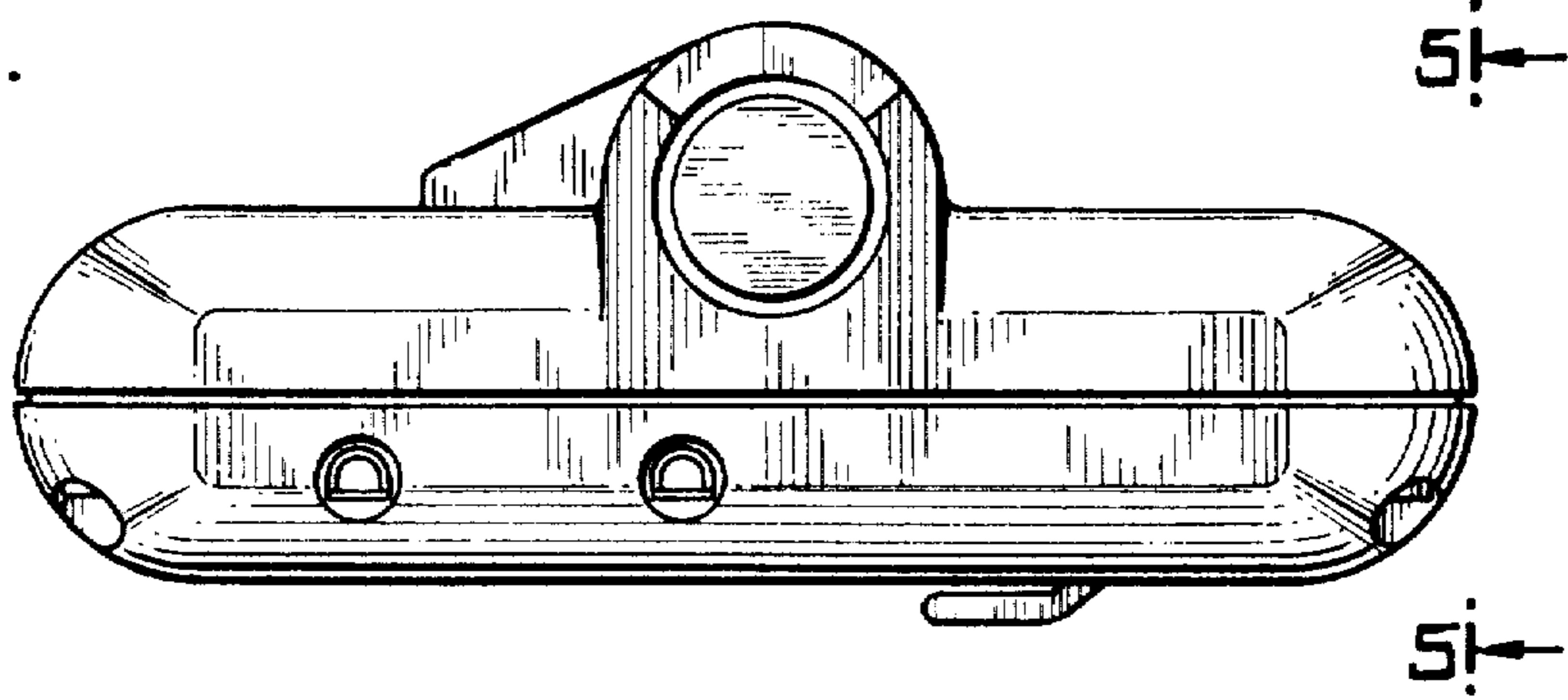


Fig. 4.

