

[54] HEAT EXCHANGER HOUSING

[75] Inventor: Jerome E. Brownlee, Inglis, Fla.

[73] Assignee: Dallas Fuel Laboratories, Inc.,
Marianna, Fla.

[**] Term: 14 Years

[21] Appl. No.: 253,699

[22] Filed: Apr. 13, 1981

[52] U.S. Cl. D23/136

[58] Field of Search D23/136; 165/157, 51,
165/52, 159, 160, 163, 109 T; 138/38; 123/557

3,989,019 11/1976 Brandt 123/557
 4,249,501 2/1981 Ehresman 123/557
 4,269,265 5/1981 Meyer 165/109 T
 4,306,617 12/1981 Lancaster 123/557
 4,326,491 4/1982 Burchett 123/557

Primary Examiner—Catherine E. Kemper
 Attorney, Agent, or Firm—Hubbard, Thurman, Turner
 & Tucker

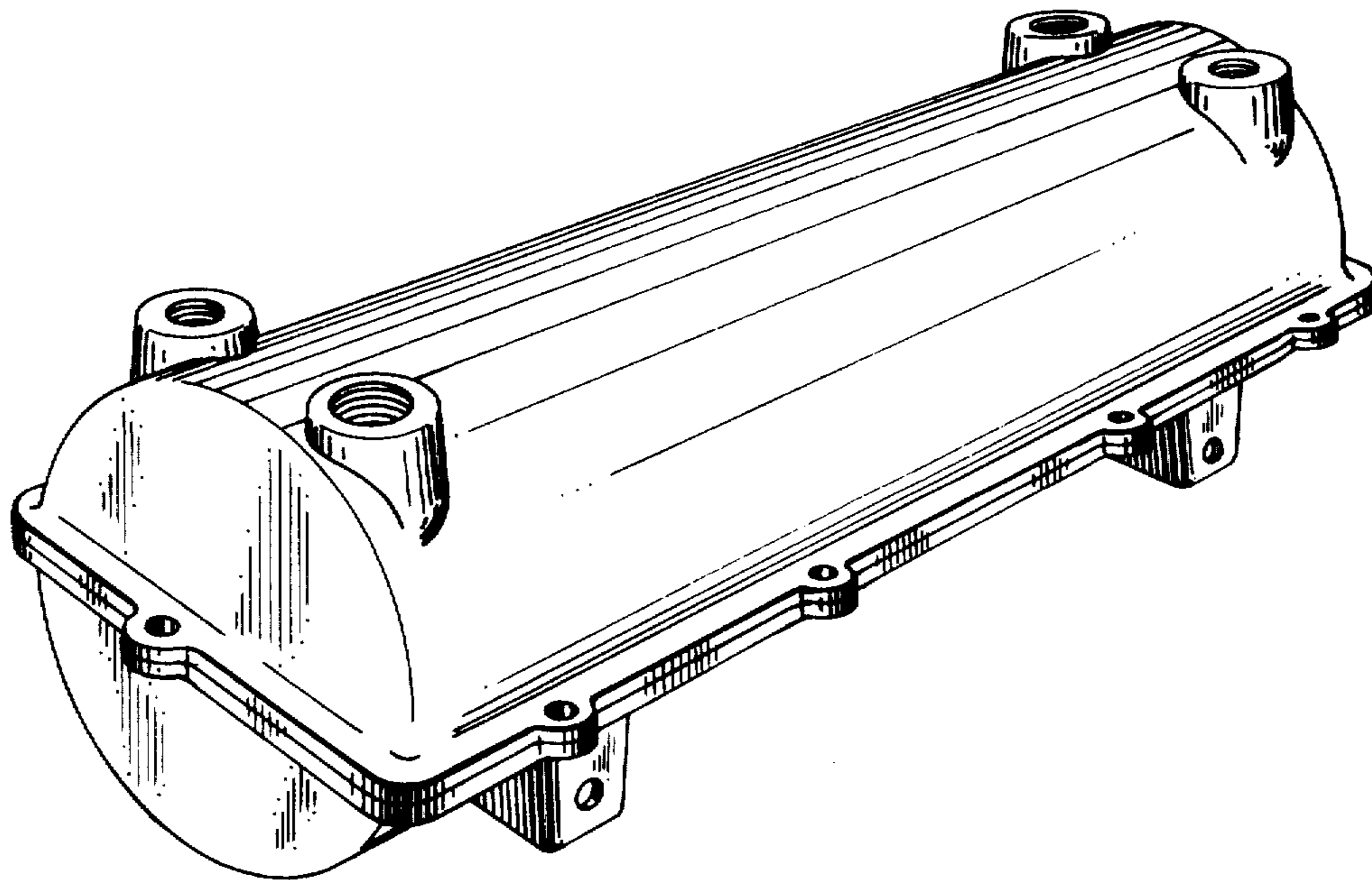
[56] **References Cited**
 U.S. PATENT DOCUMENTS

D. 28,427 3/1898 Dooly D23/136
 1,292,653 1/1919 Saul 123/557
 2,061,742 11/1936 Swart 165/109 T
 2,240,311 4/1941 Mills 123/557
 3,001,767 9/1961 Straubing 165/109 T
 3,595,299 7/1971 Weishaupt 138/38
 3,986,486 10/1976 Rabbiosi 123/557

[57] **CLAIM**
 The ornamental design for a heat exchanger housing, as
 shown and described.

DESCRIPTION

FIG. 1 is a perspective view of a heat exchanger hous-
 ing showing my new design;
 FIG. 2 is a side elevational view thereof in slightly
 larger scale;
 FIG. 3 is a top plan view thereof in slightly larger scale;
 FIG. 4 is a bottom plan view thereof in slightly larger
 scale; and
 FIG. 5 is an end elevational view thereof in slightly
 larger scale, it being understood that the opposite end is
 a mirror image of FIG. 5.



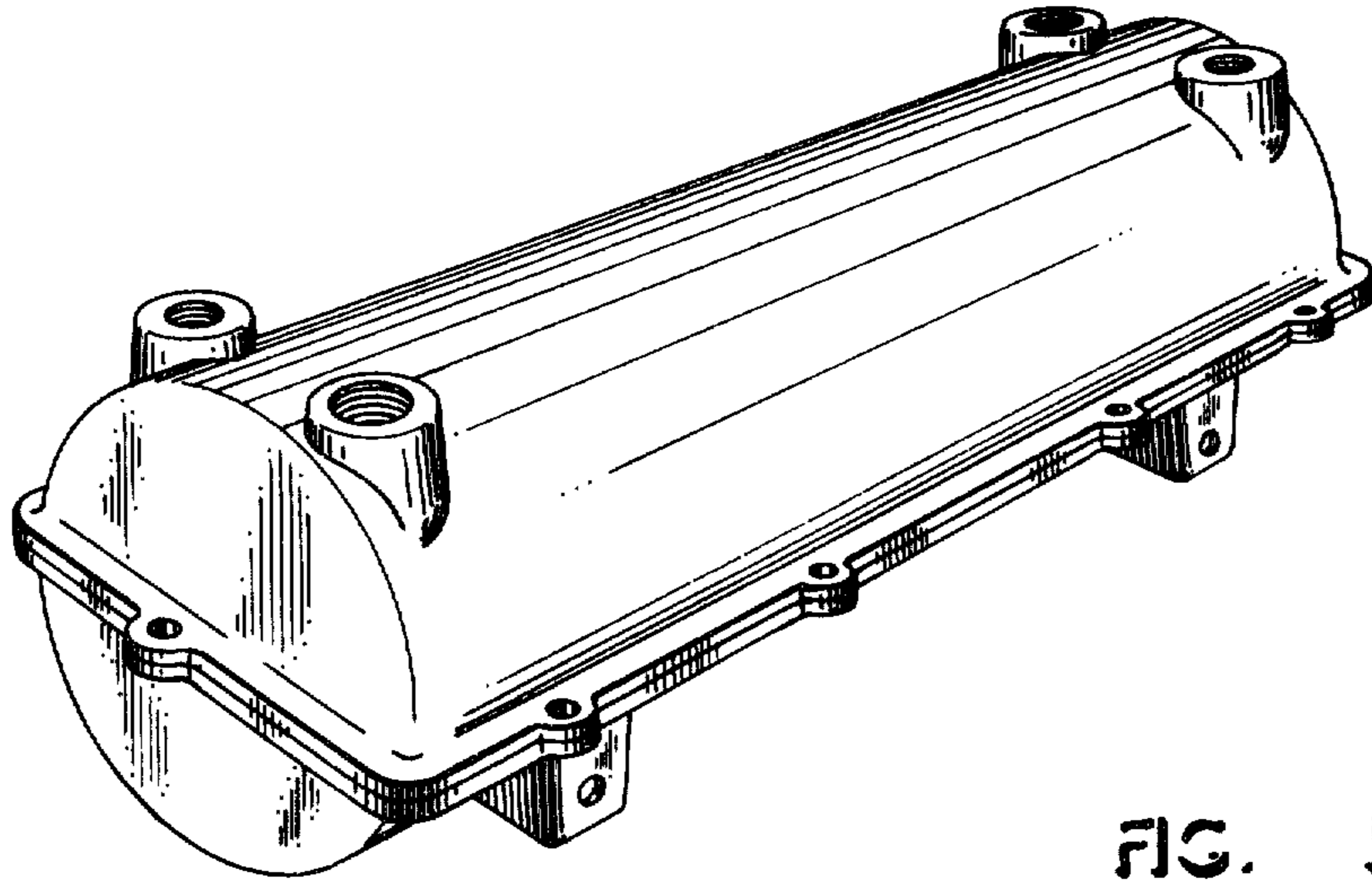


FIG. 1

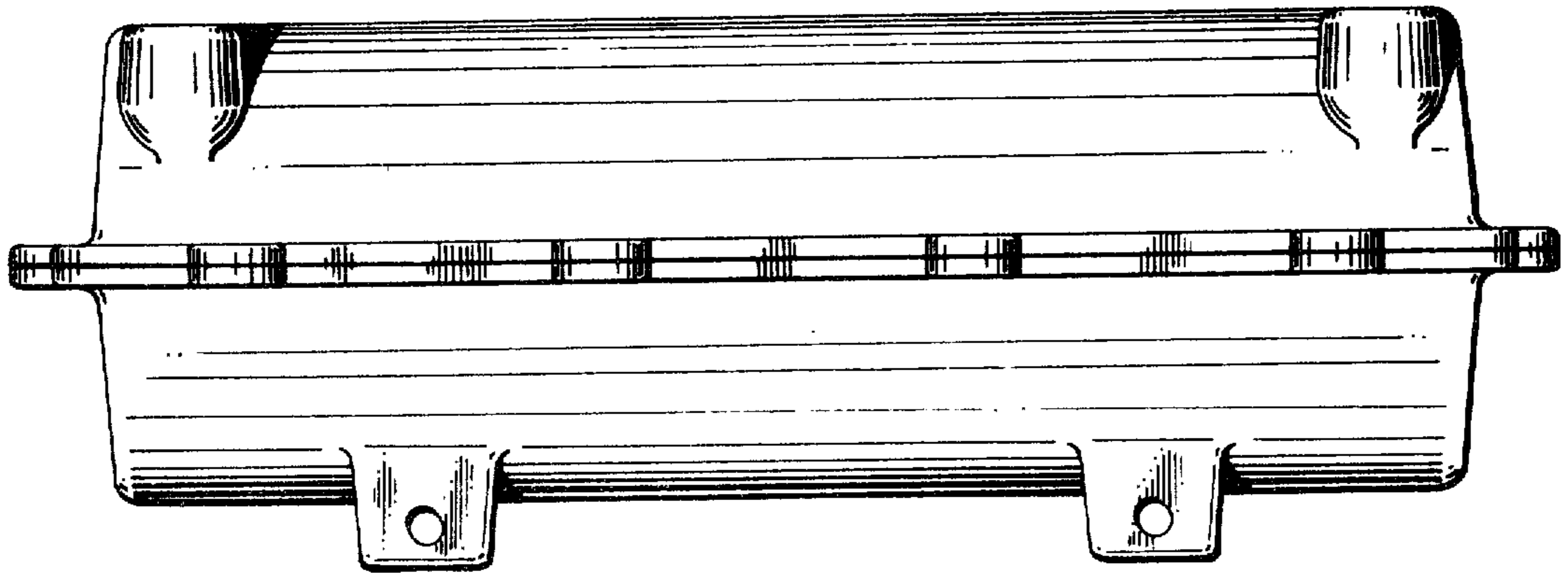


FIG. 2

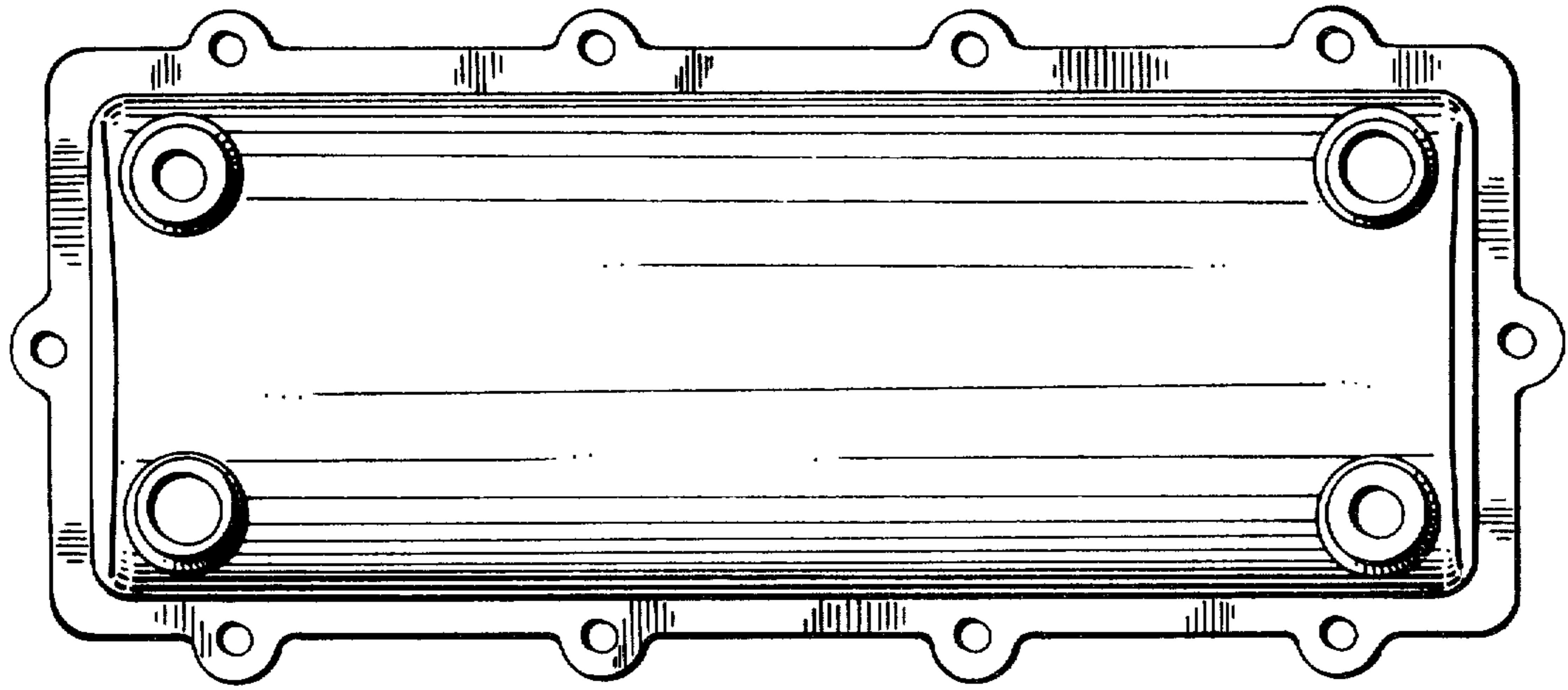


FIG. 3

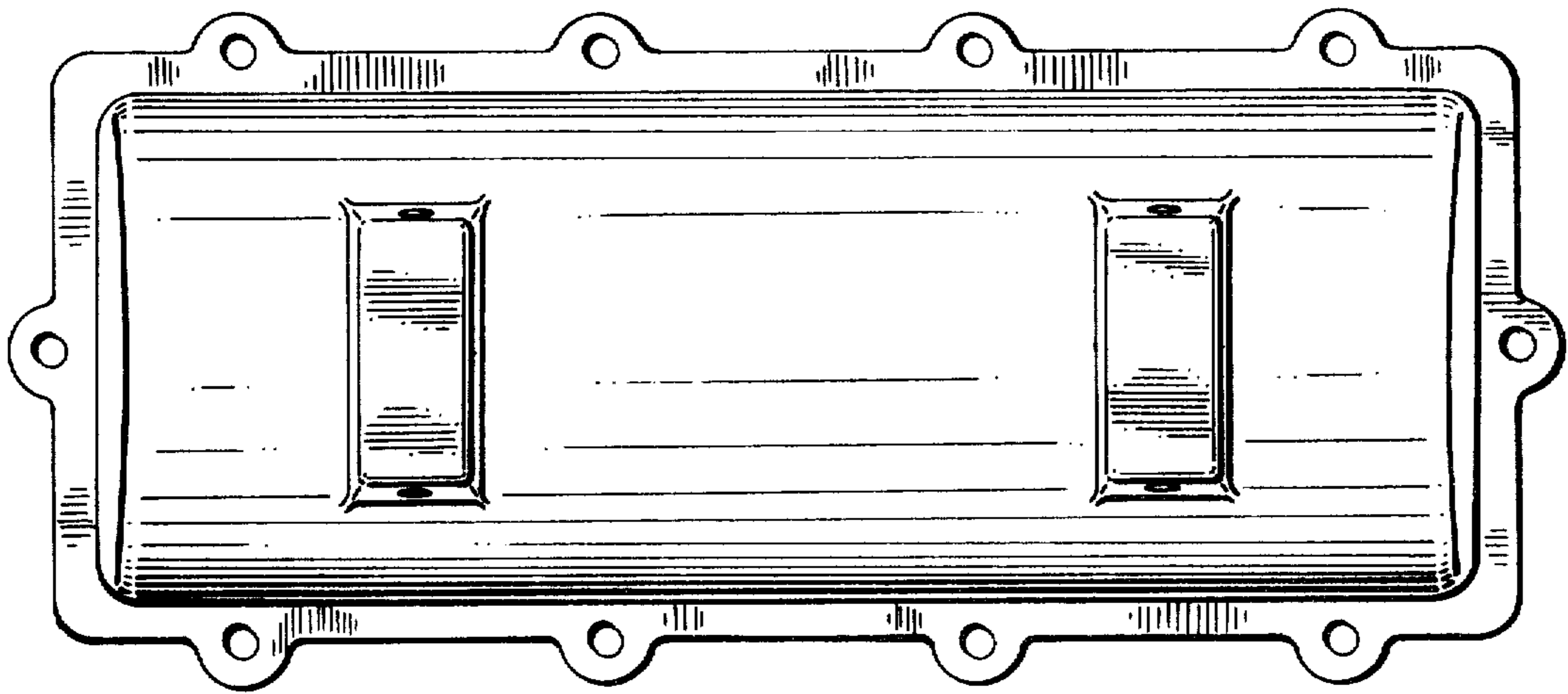


FIG. 4

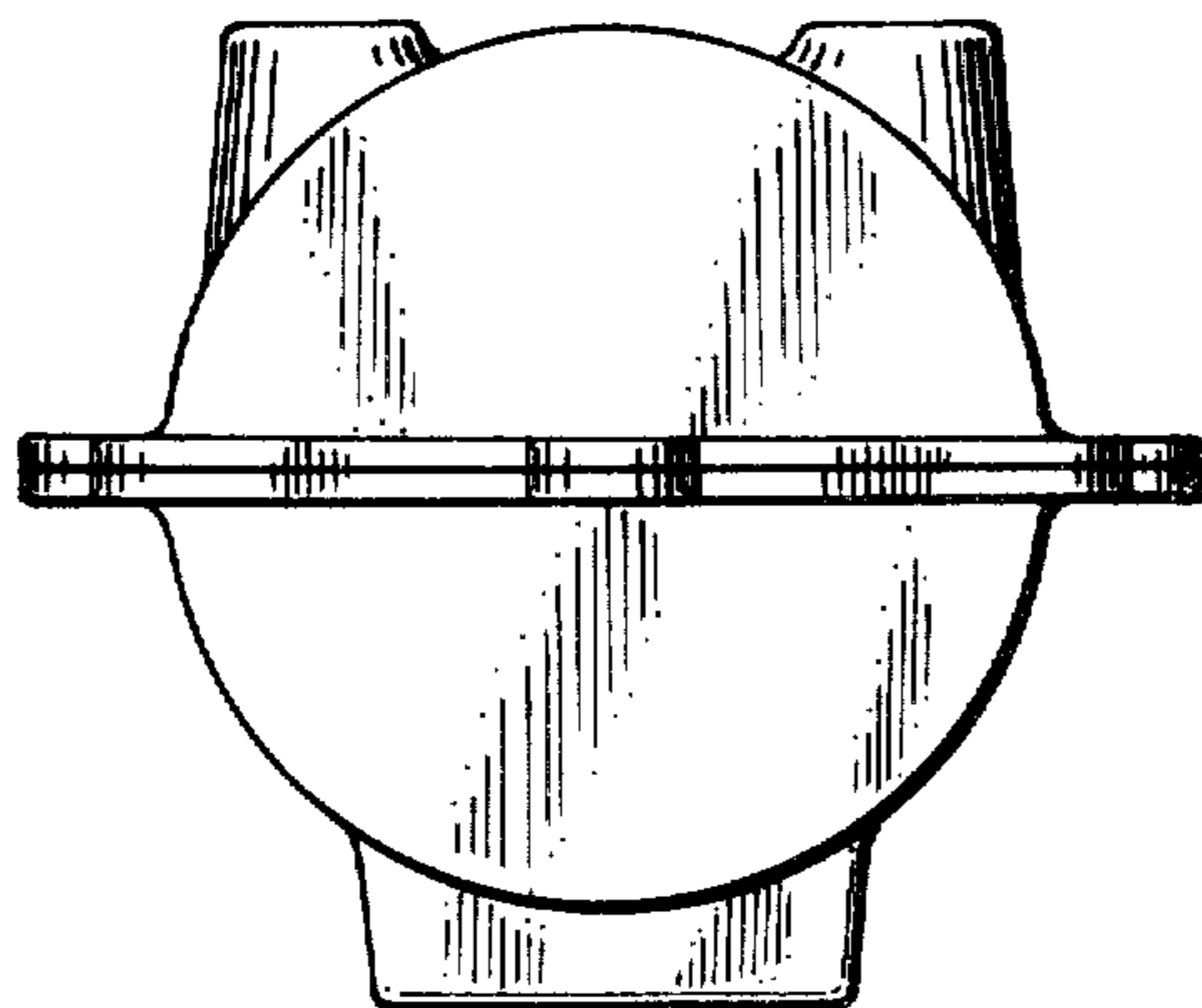


FIG. 5