

[54] GAS PIPE TYPE FIREPLACE LOG LIGHTER

[76] Inventor: John A. Cosper, P.O. Box 5325, Birmingham, Ala. 35207

[**] Term: 14 Years

[21] Appl. No.: 331,559

[22] Filed: Dec. 17, 1981

[52] U.S. Cl. D23/90.1; D23/106; D23/129

[58] Field of Search D23/106, 127, 129, 90.1; 431/328, 125

[56] References Cited

U.S. PATENT DOCUMENTS

D. 22,784	9/1893	Casemere	D23/129
3,583,845	6/1971	Pulone	431/328 X
3,671,175	6/1972	Campbell	431/328
3,871,355	3/1975	Henry	431/125 X
3,947,229	3/1976	Richter	431/328 X
4,110,063	8/1978	Mitchell	431/328 X

Primary Examiner—Catherine E. Kemper
Attorney, Agent, or Firm—Woodford R. Thompson, Jr.

[57] CLAIM

The ornamental design for a gas pipe type fireplace log lighter, as shown.

DESCRIPTION

FIG. 1 is an isometric view of a gas pipe type fireplace log lighter showing my new design;
 FIG. 2 is an isometric view showing the under side thereof;
 FIG. 3 is a side elevational view thereof;
 FIG. 4 is a side elevational view thereof showing the opposite side from that shown in FIG. 3;
 FIG. 5 is a top plan view thereof;
 FIG. 6 is a bottom view thereof;
 FIG. 7 is an end view looking from the left side of FIG. 3;
 FIG. 8 is an end view looking from the right side of FIG. 3; and
 FIG. 9 is an exploded isometric view showing the cover.

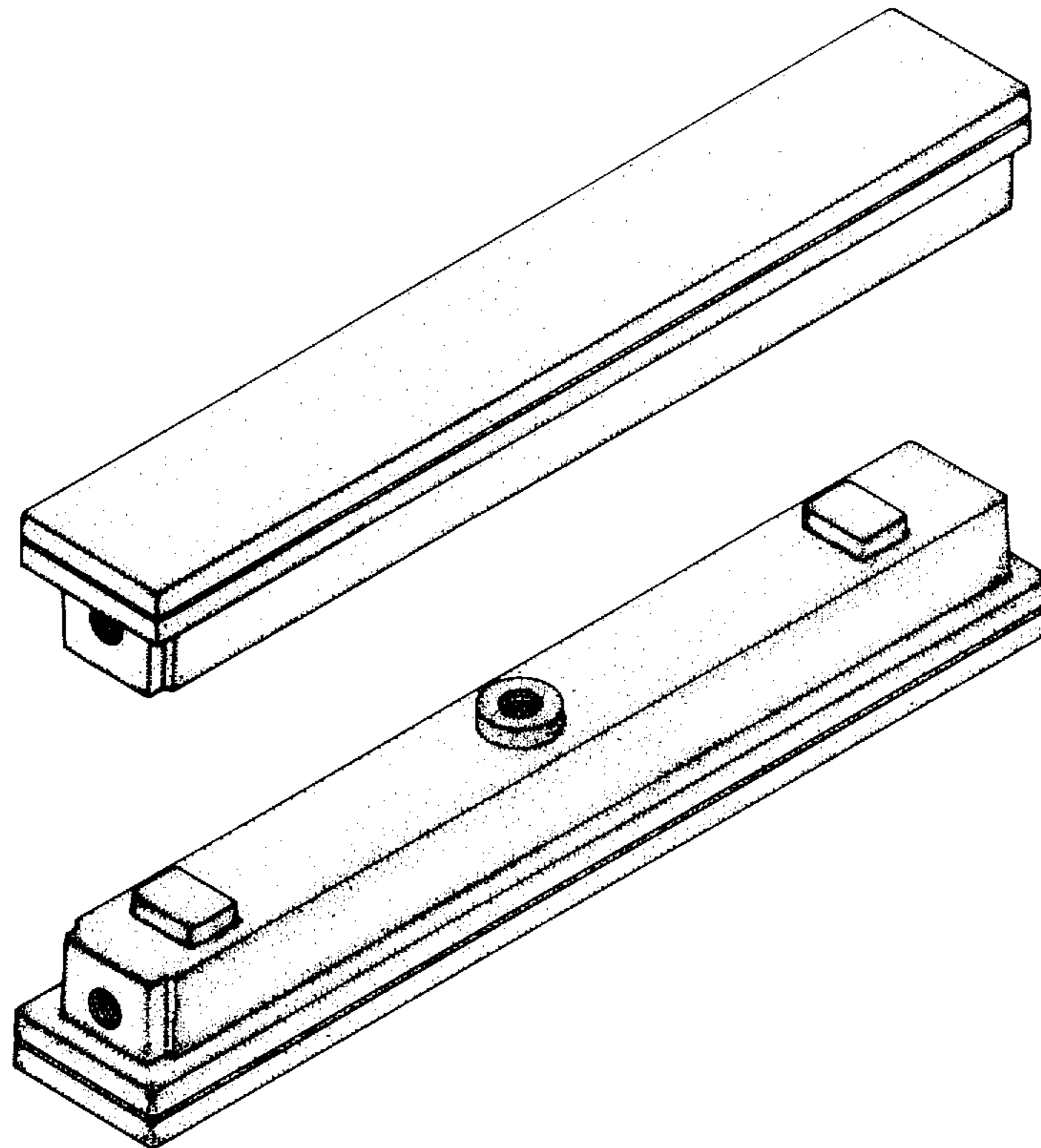


Fig. 1

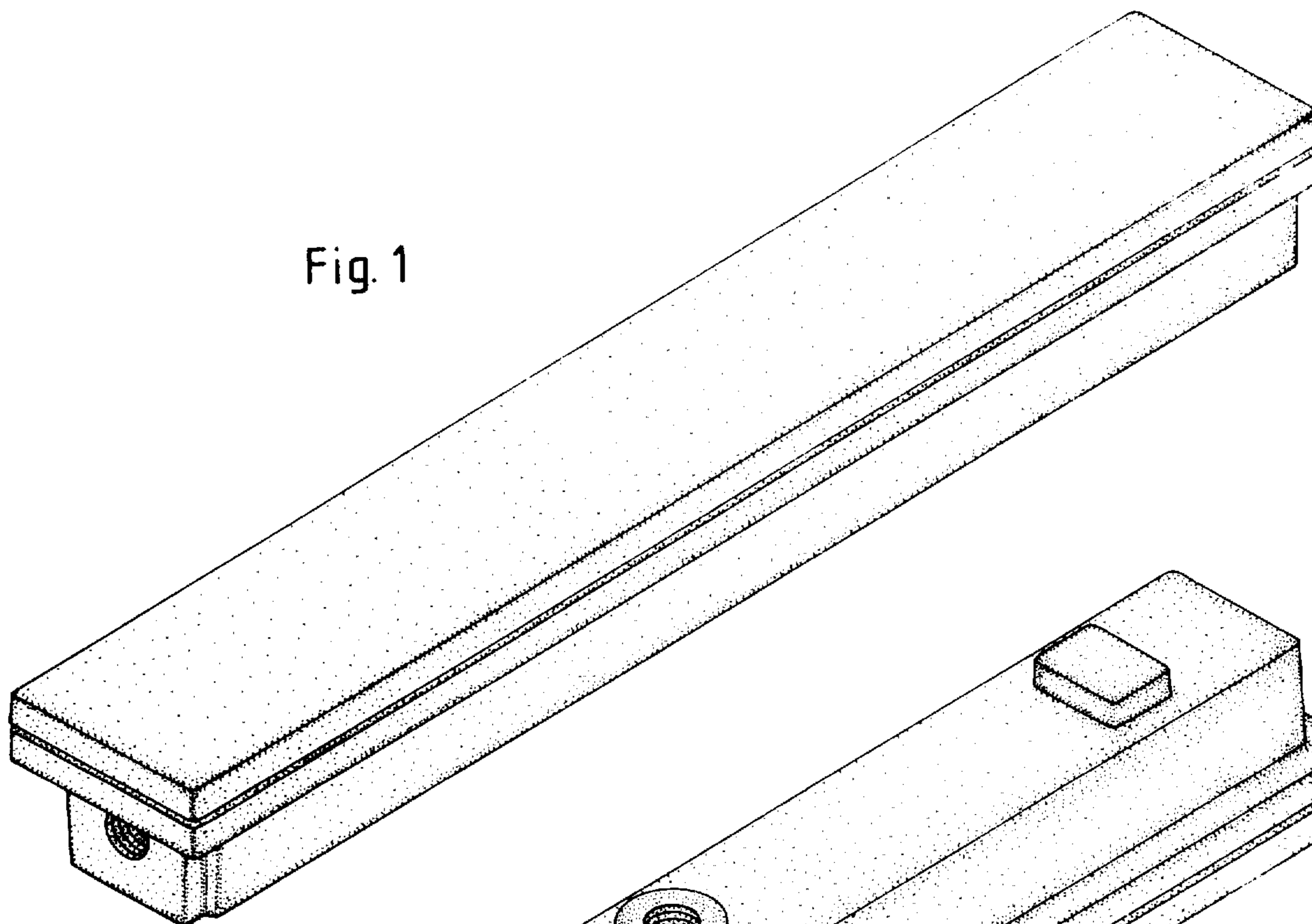
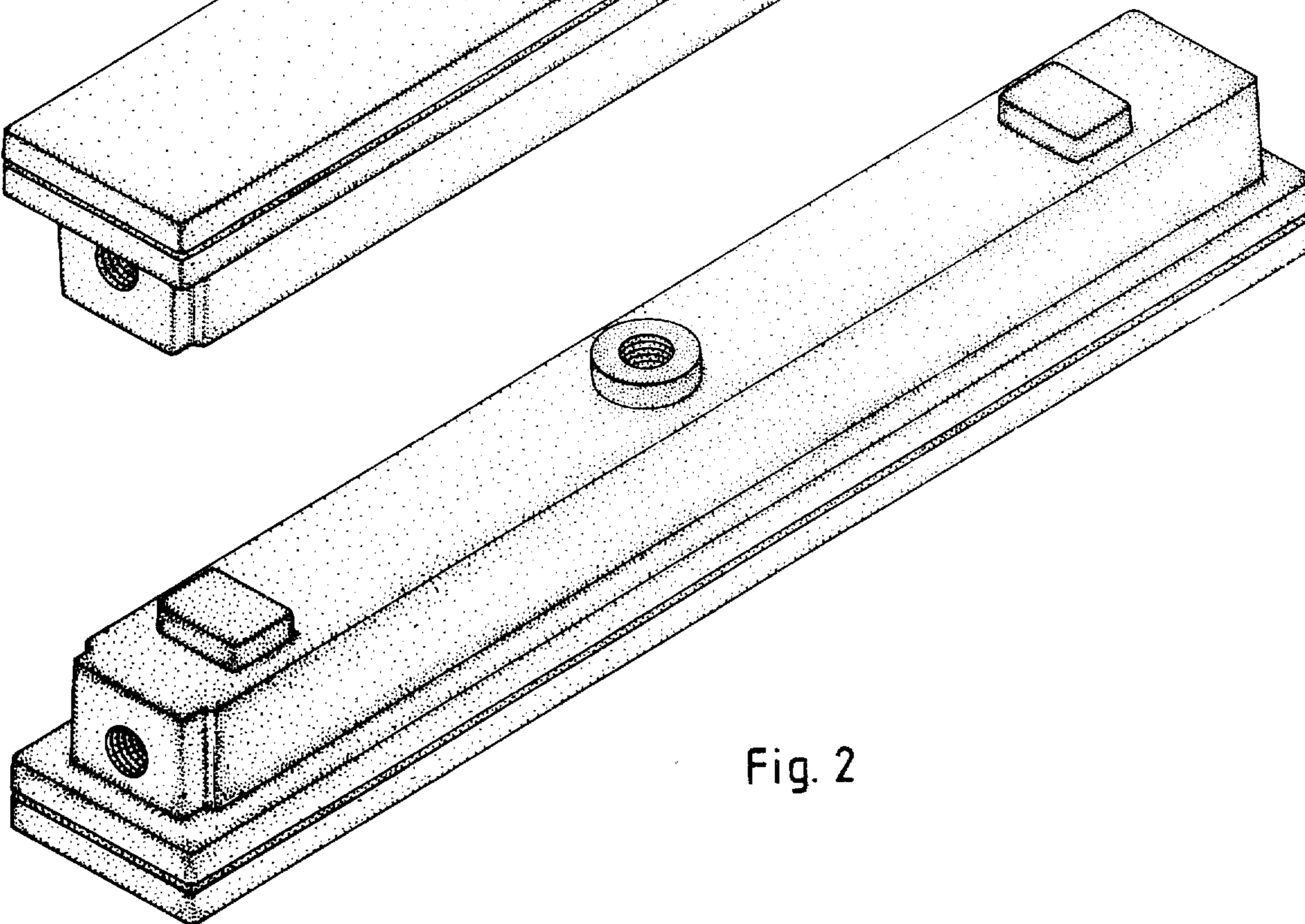


Fig. 2



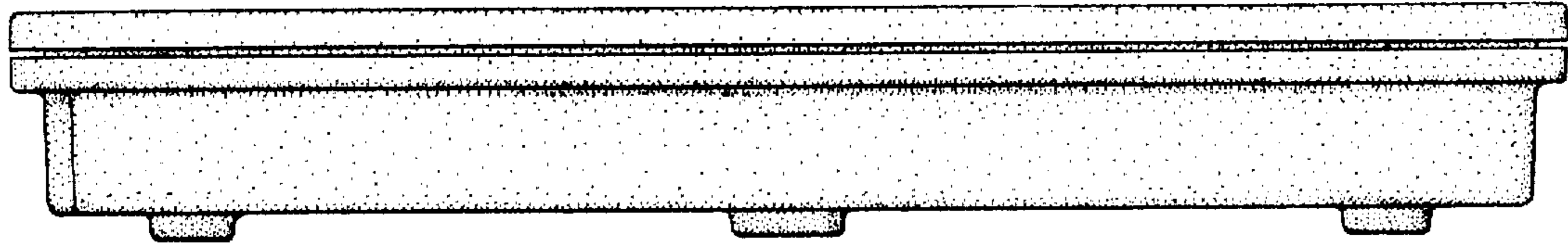


Fig. 3

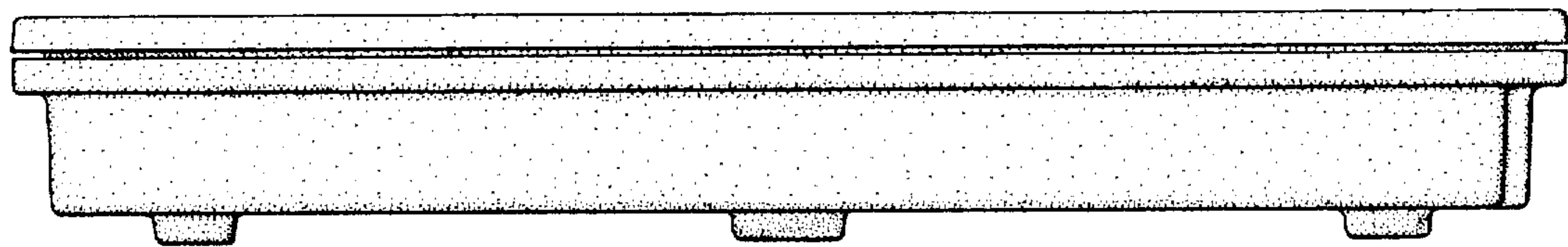


Fig. 4

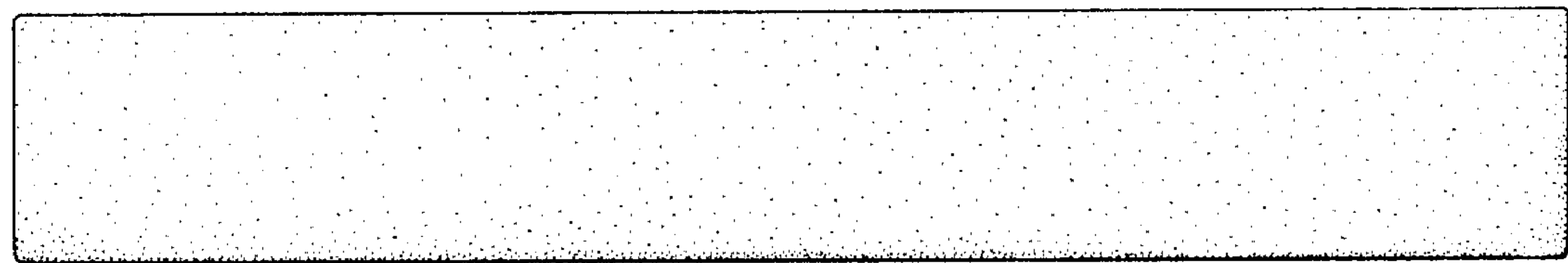


Fig. 5

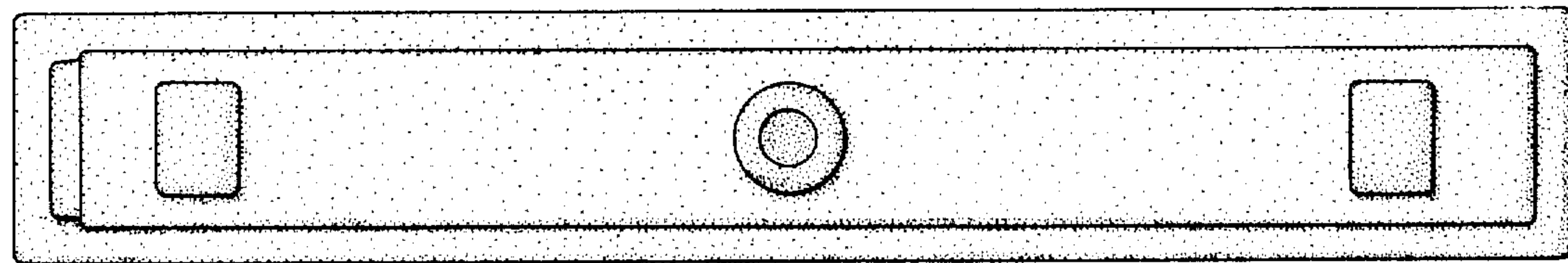


Fig. 6

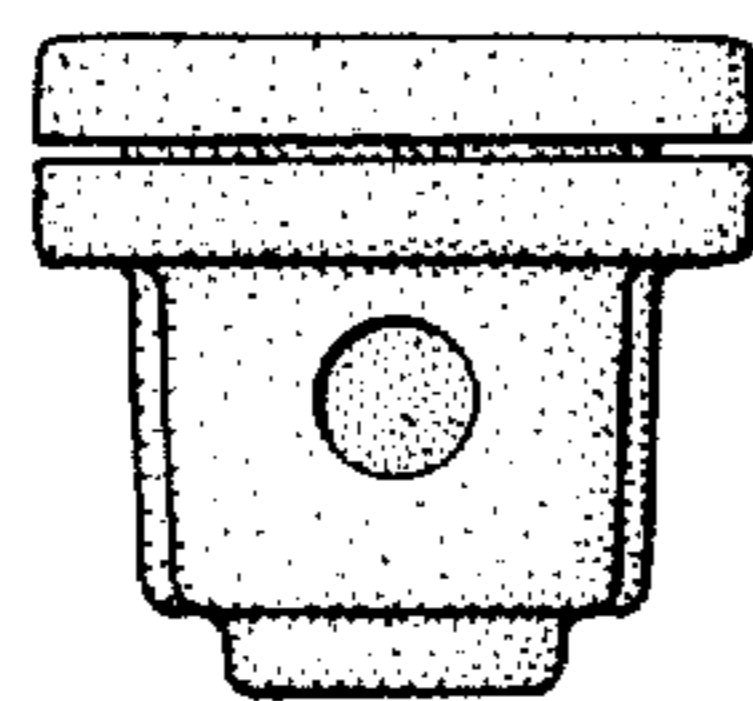


Fig. 7

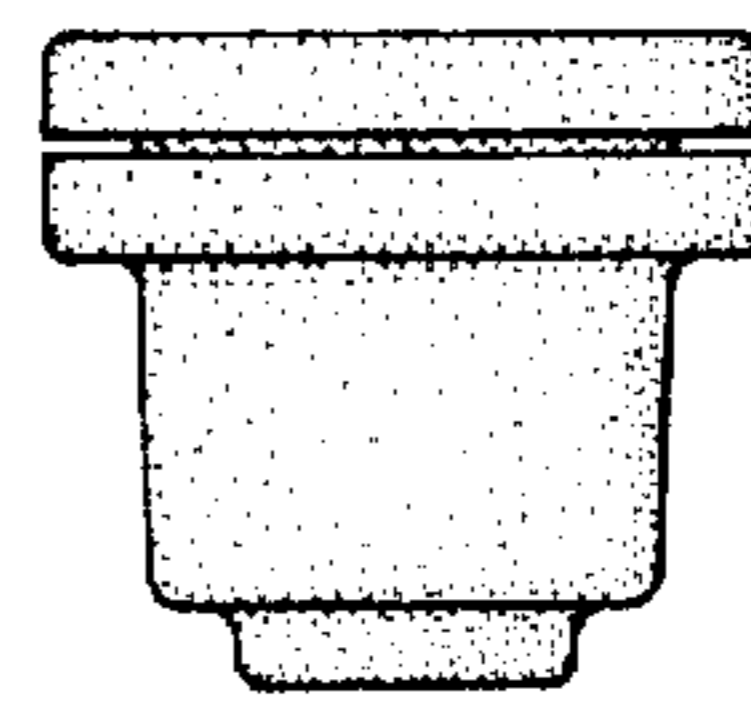


Fig. 8

Fig. 9

