

[54] CONNECTOR FOR AIR-BREATHING APPARATUS

[76] Inventors: Glen R. Mattingly, 950 E. Lockwood St.; Joseph A. Quintanares, 650 W. 1st Pl., both of Mesa, Ariz. 85201

[\*\*] Term: 14 Years

[21] Appl. No.: 236,752

[22] Filed: Feb. 23, 1981

[52] U.S. Cl. .... D23/40; D29/99

[58] Field of Search ..... D29/7; D23/21, 22, 23, D23/40, 41, 43, 44, 45; D24/53; 285/316, 277, 155, DIG. 2; 128/202.27; 137/561 A

[56] References Cited

U.S. PATENT DOCUMENTS

D. 215,052	8/1969	Evans	.....	D23/21
2,962,688	11/1960	Werner	.....	285/DIG. 2
3,238,943	3/1966	Holley	.....	128/205.24
3,433,222	3/1969	Pinto	.....	128/204.26
3,513,849	5/1970	Vaillancourt et al.	.....	285/DIG. 2
3,781,941	1/1974	MacFarland	.....	285/7
3,995,626	12/1976	Pearce, Jr.	.....	128/205.24
4,328,798	5/1982	Isaacson	.....	128/202.27

FOREIGN PATENT DOCUMENTS

591256	9/1977	Switzerland	.....	128/202.27
1150875	5/1969	United Kingdom	.....	128/912

OTHER PUBLICATIONS

Robertshaw—Fulton Controls Company, Aircraft Valve Ad in Product Engineering 1/19/59, p. 114.

Hansen Quick Connective Couplings Brochure, Reference is Cover Showing.

Crawford Fitting Co. Quick Connect Brochure ©1973 Markad Service Co., p. 4, Stem Protecting Cap.

Fire Engineering, Sep. 1980 Issue, p. 115.

Primary Examiner—Wallace R. Burke

Assistant Examiner—Horace B. Fay

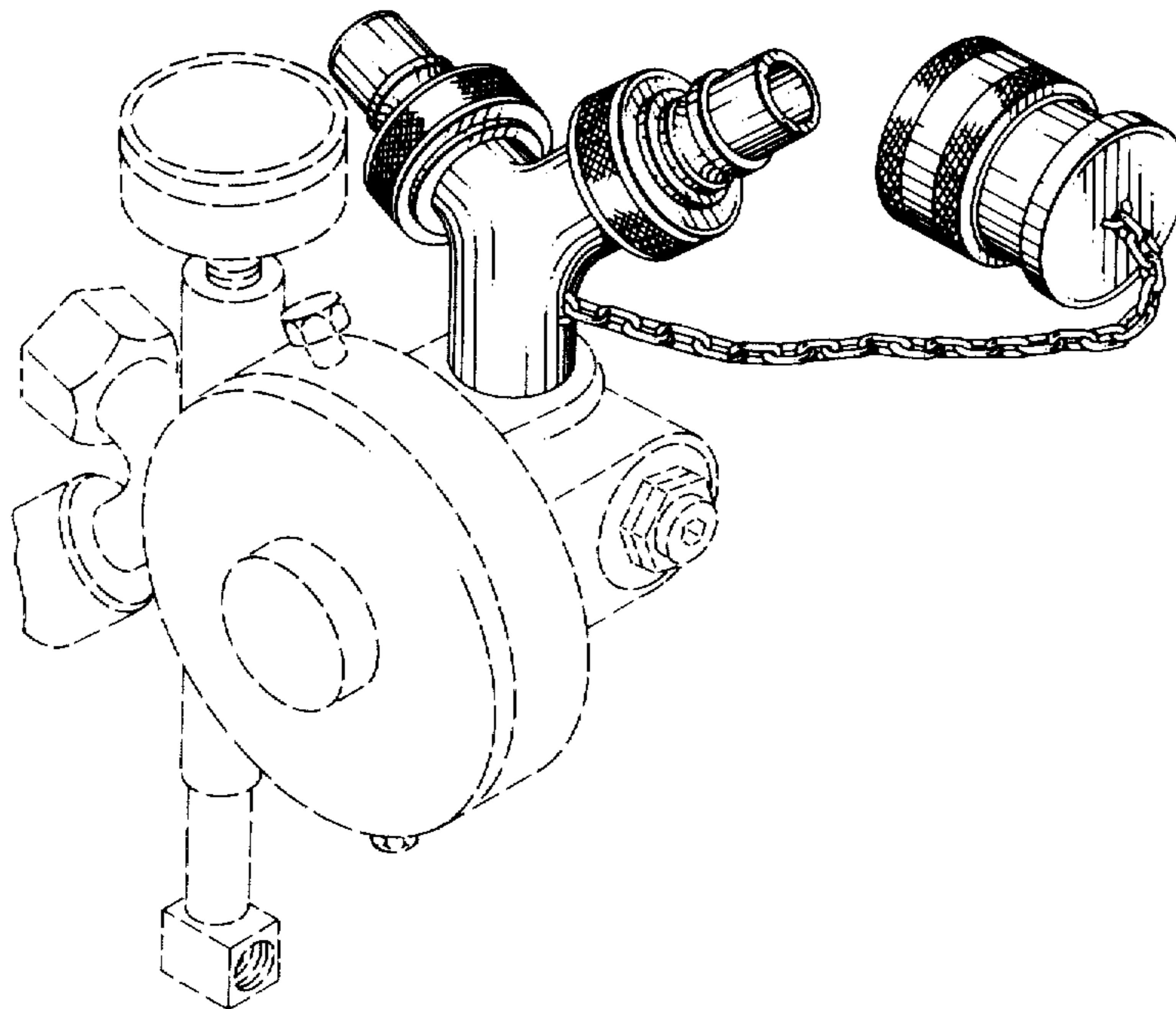
Attorney, Agent, or Firm—Warren F. B. Lindsley

[57] CLAIM

The ornamental design for a connector for air-breathing apparatus, as shown and described.

DESCRIPTION

FIG. 1 is a partial perspective of one side, top and front of a connector for air-breathing apparatus showing our new design, with the pressure regulator being shown in broken lines for illustrative operative understanding; FIG. 2 is a perspective view of the other side, bottom and back of the apparatus shown in FIG. 1.



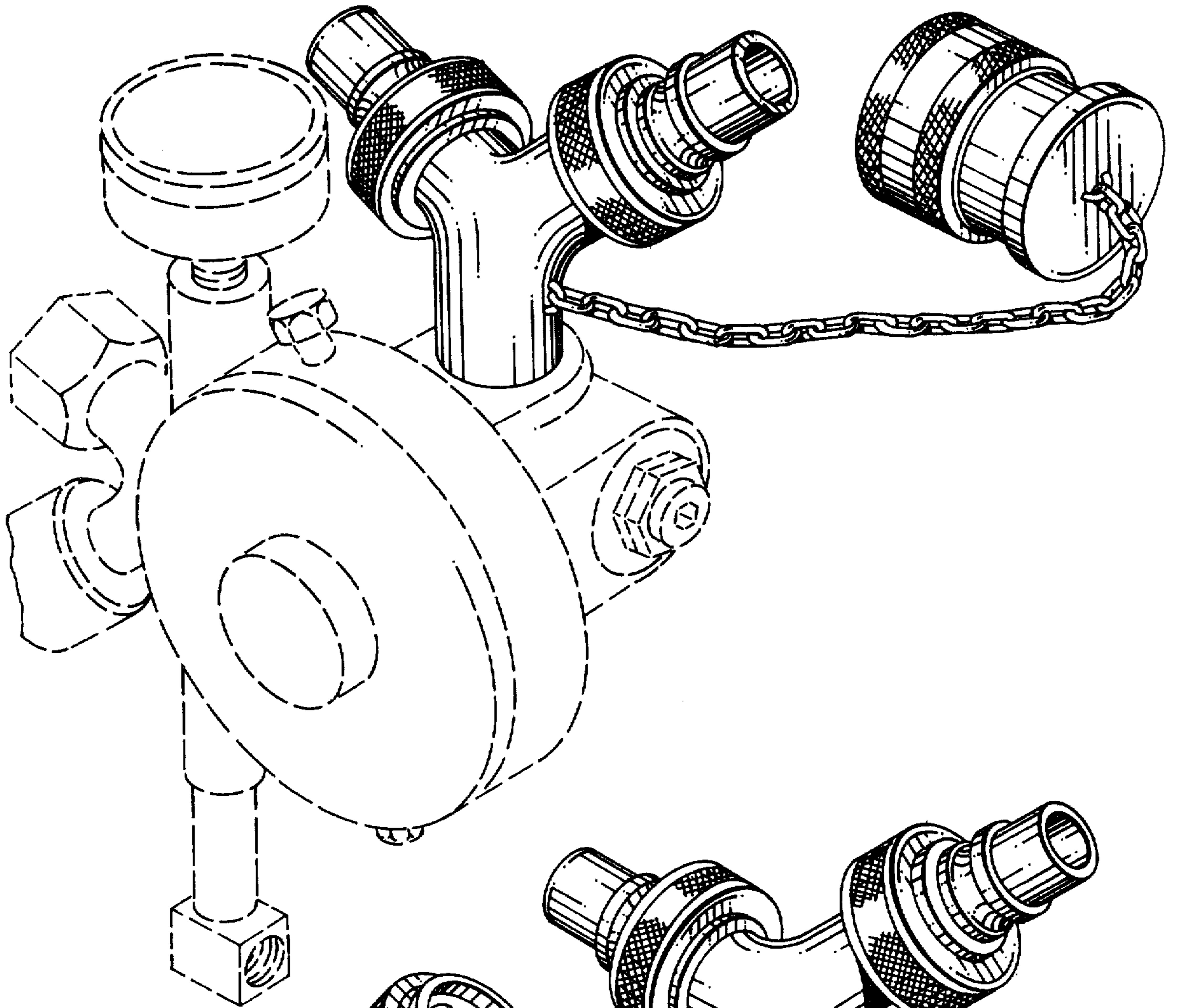


FIG. 1

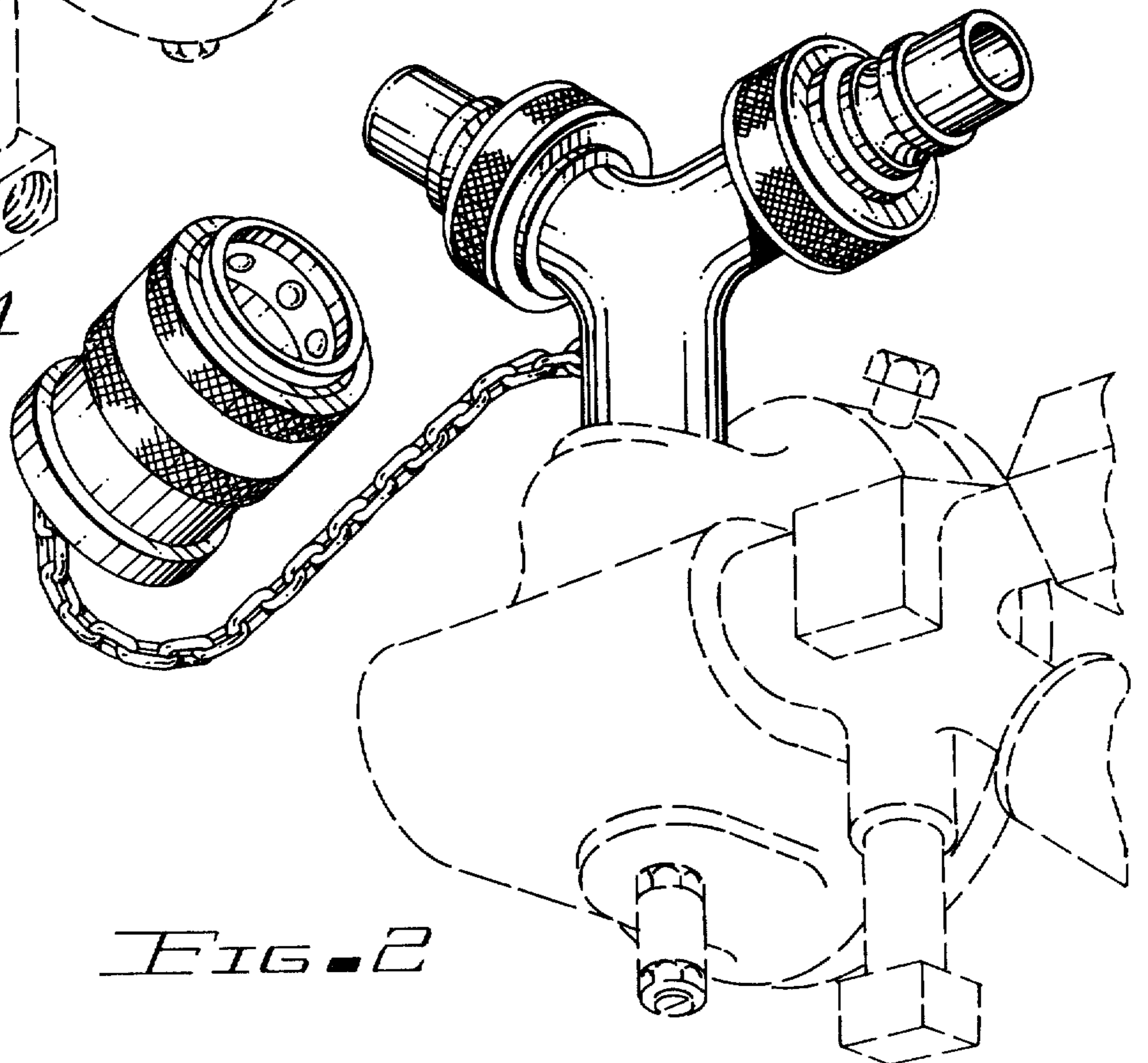


FIG. 2