

[54] **HANDLE FOR FISHING REEL**

[75] Inventor: **William Purcell**, Philadelphia, Pa.

[73] Assignee: **Penn Fishing Tackle Mfg. Co.**, Philadelphia, Pa.

[\*\*] Term: **14 Years**

[21] Appl. No.: **357,627**

[22] Filed: **Mar. 12, 1982**

[52] U.S. Cl. .... **D22/25**

[58] Field of Search ..... **D22/25, 26, 23; 242/84.1 R, 84.1 A, 84.21 R, 84.21 A**

[56] **References Cited**

**U.S. PATENT DOCUMENTS**

- D. 259,503 6/1981 Huffman ..... D22/25
- 4,191,343 3/1980 Morishita ..... 242/84.21 R

**OTHER PUBLICATIONS**

Penn Reels Catalog No. 26, c. 1964, p. 24, Handle at top right.

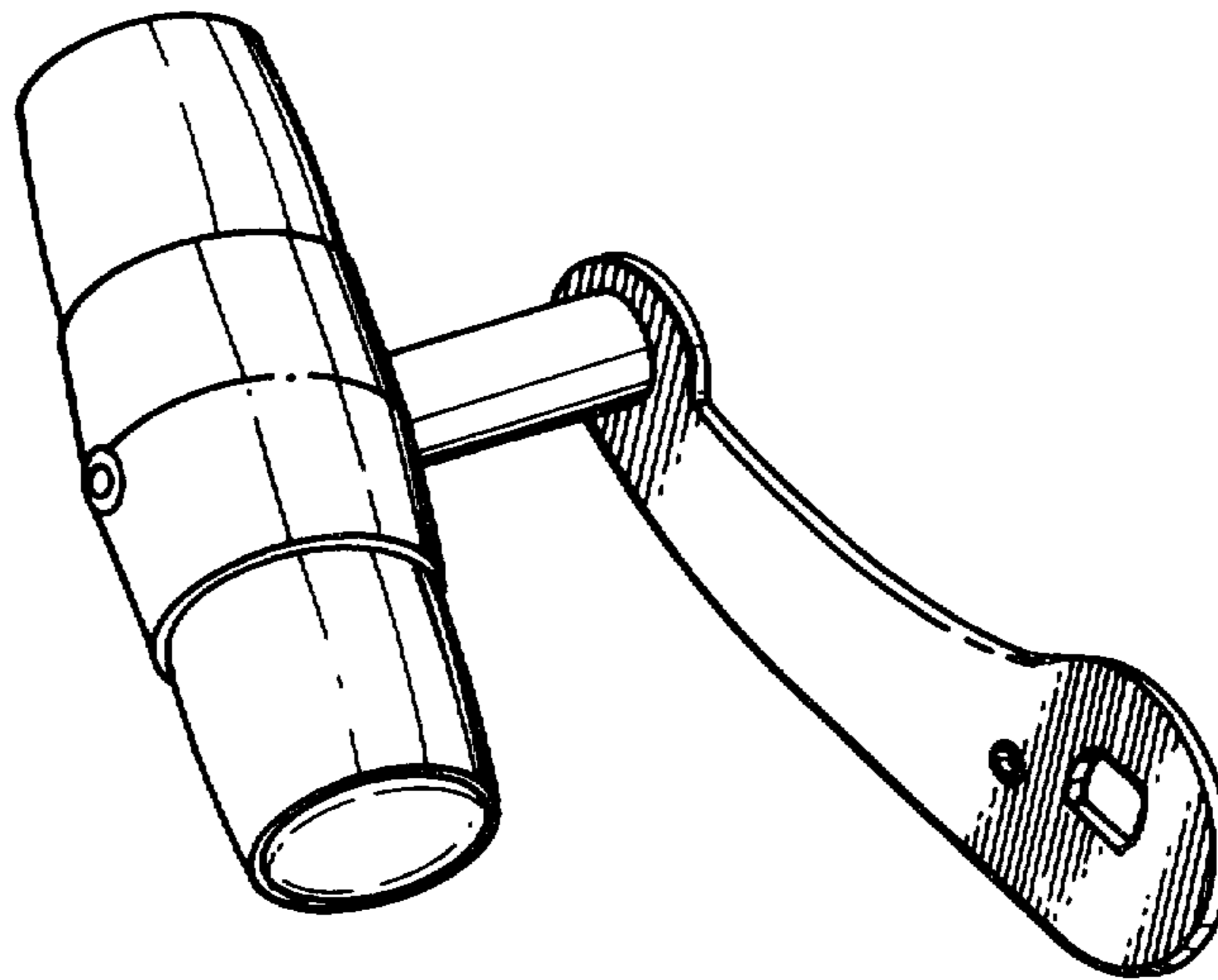
*Primary Examiner*—A. Hugo Word  
*Attorney, Agent, or Firm*—Z. T. Wobensmith, III

[57] **CLAIM**

The ornamental design for a handle for fishing reel, as shown and described.

**DESCRIPTION**

FIG. 1 is a perspective view of a handle for fishing reel showing my new design;  
 FIG. 2 is a top plan view thereof;  
 FIG. 3 is a bottom plan view thereof;  
 FIG. 4 is a left-side elevational view thereof;  
 FIG. 5 is a right-side elevational view thereof;  
 FIG. 6 is a right-end elevational view thereof; and  
 FIG. 7 is a left-end elevational view thereof.



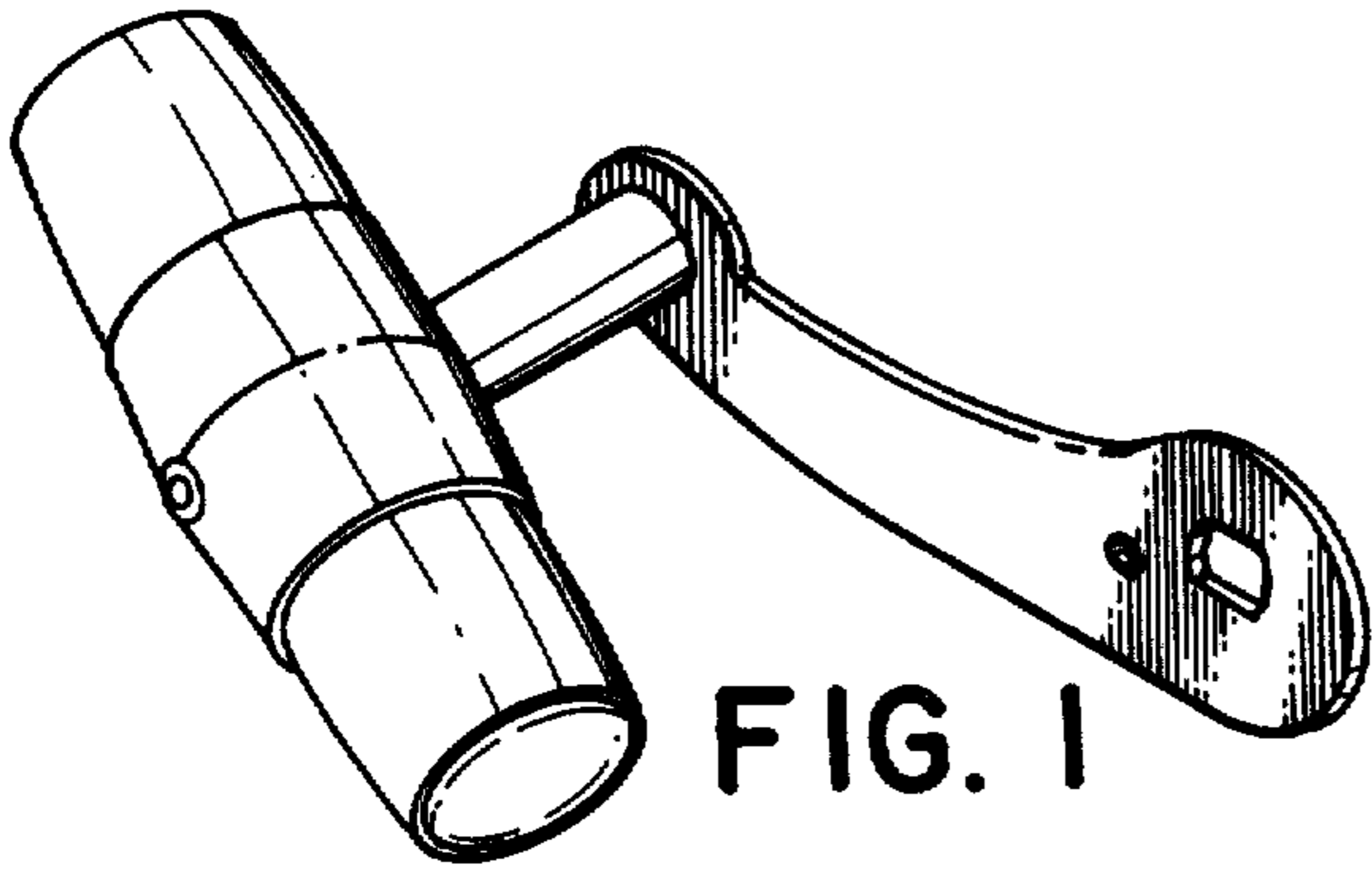


FIG. 1

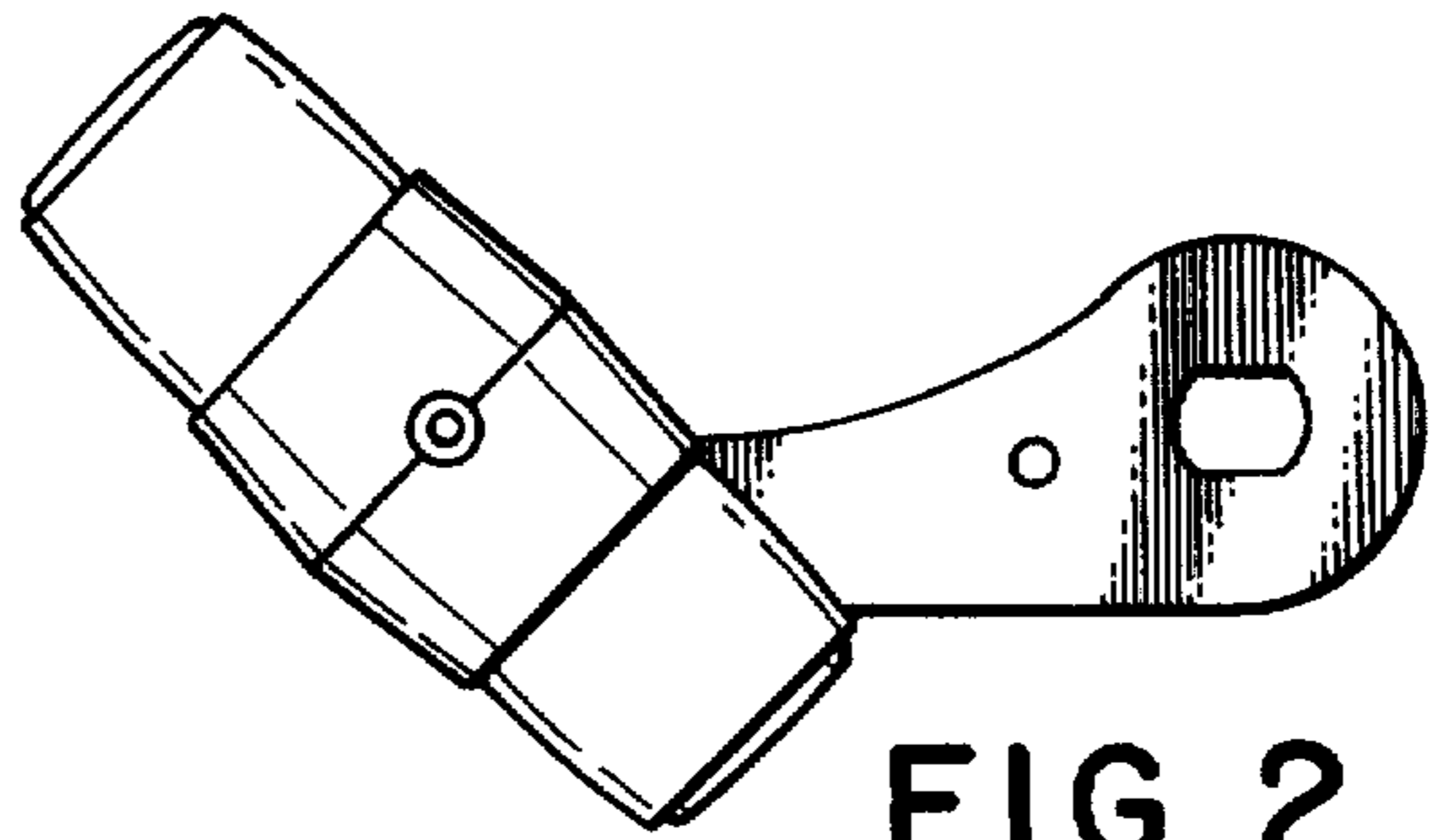


FIG. 2

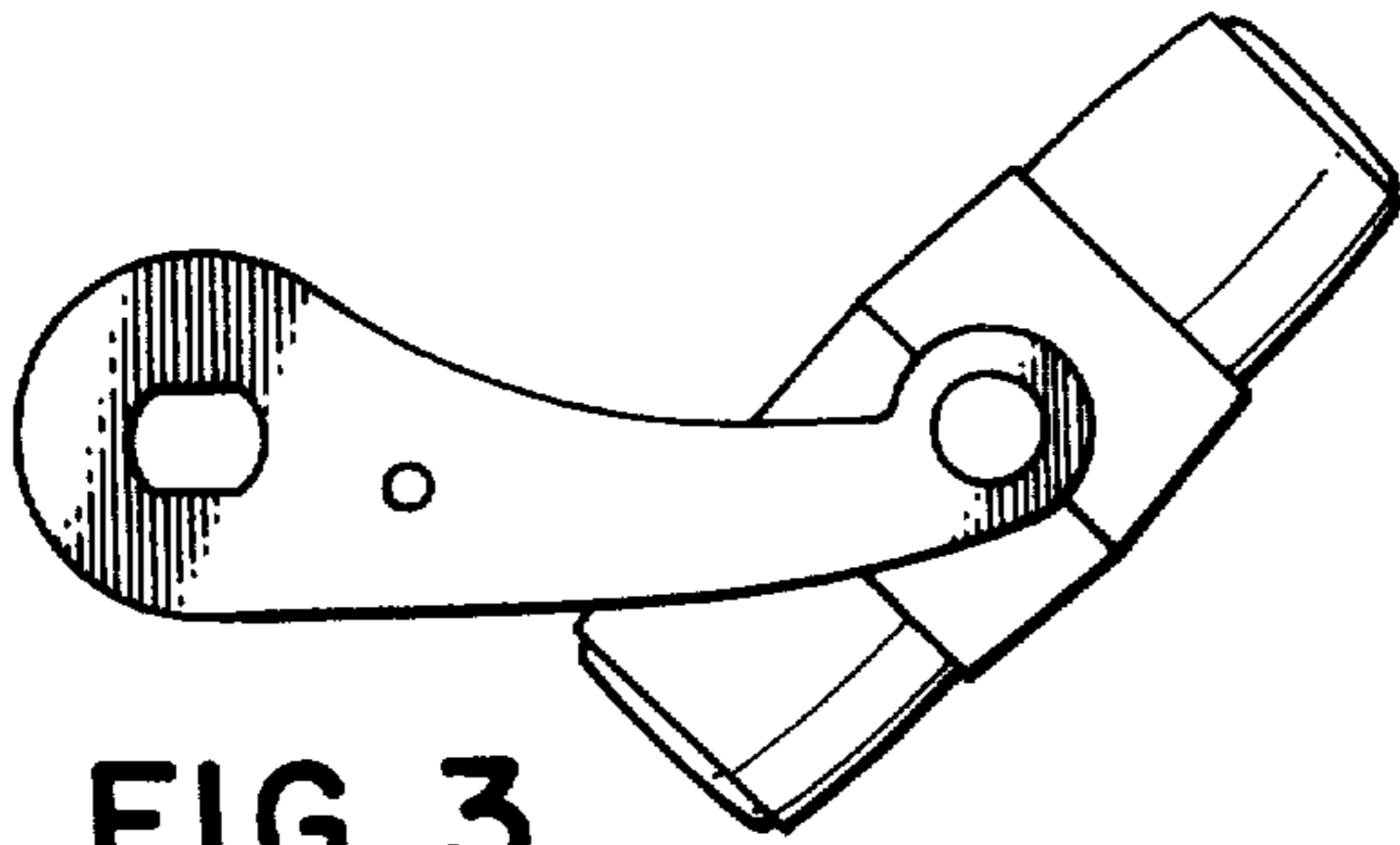


FIG. 3

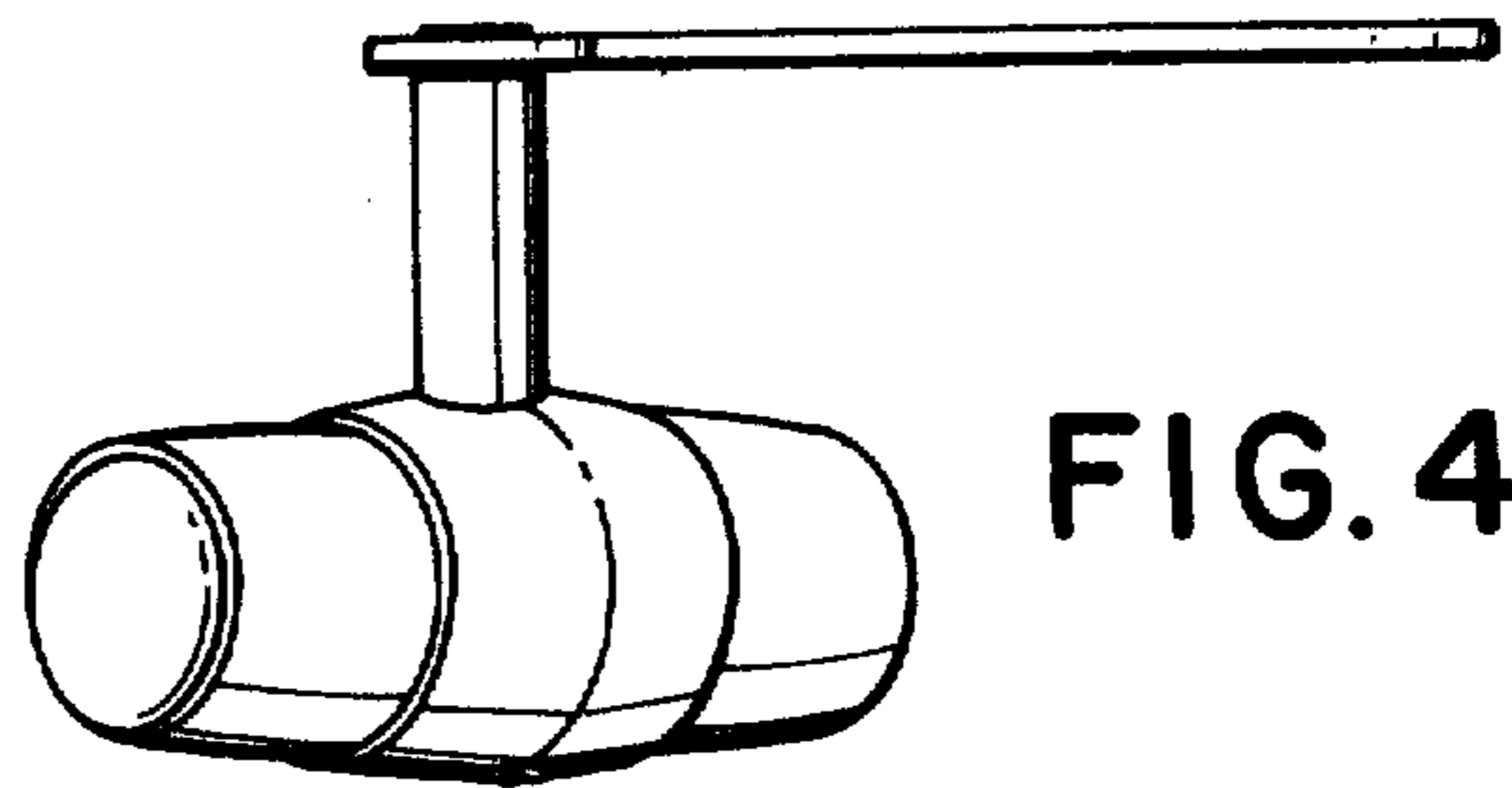


FIG. 4

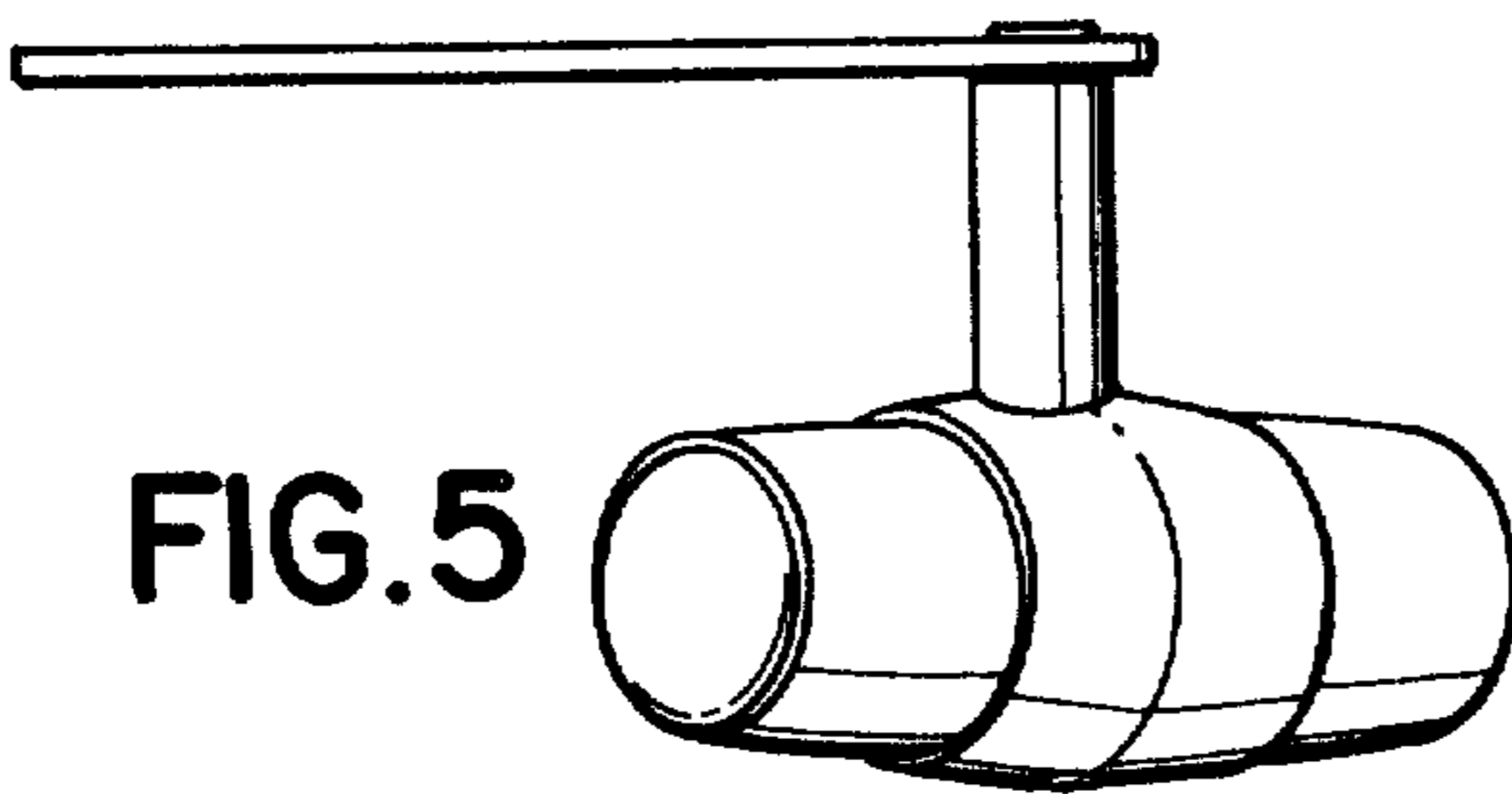


FIG. 5

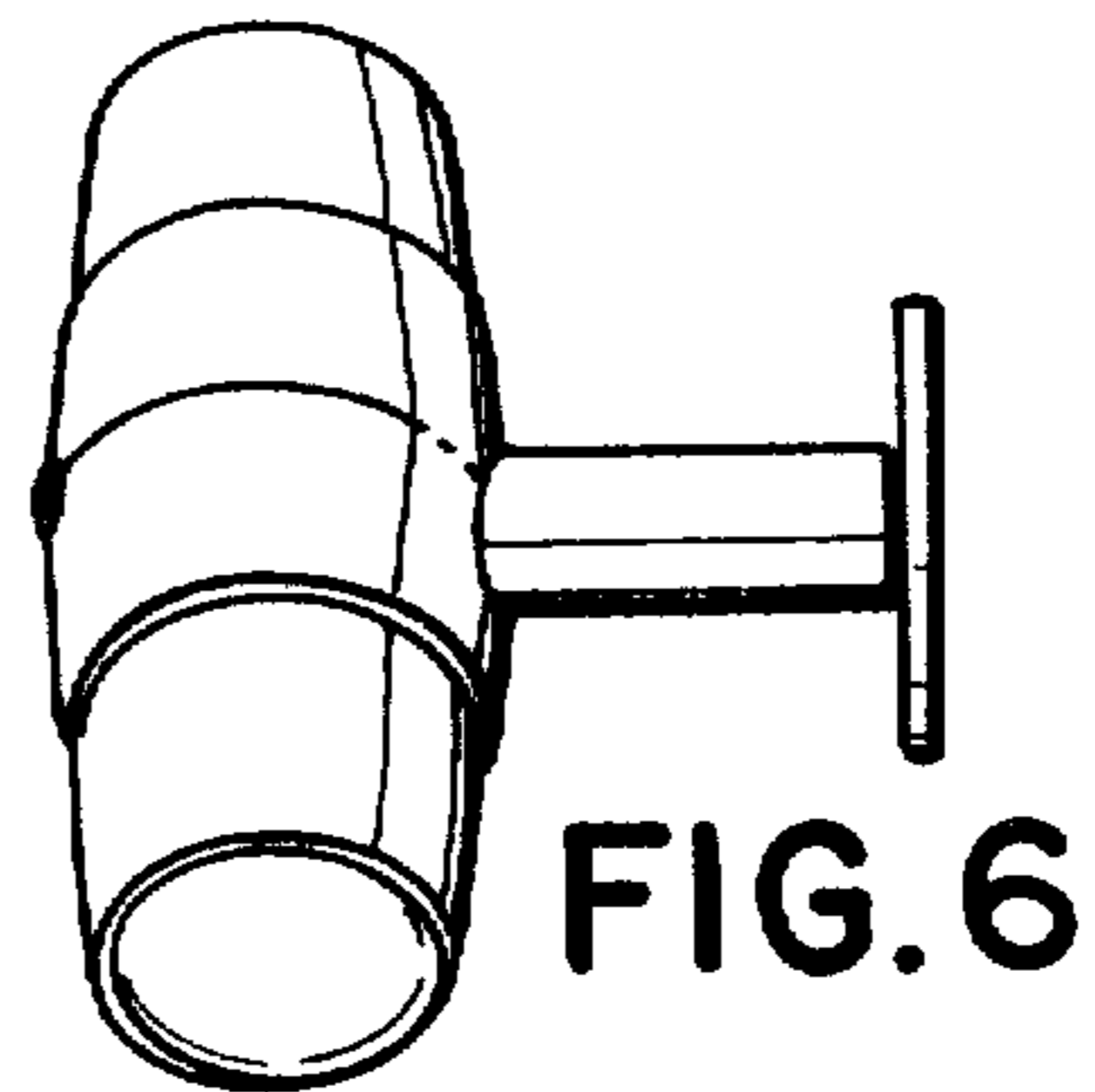


FIG. 6

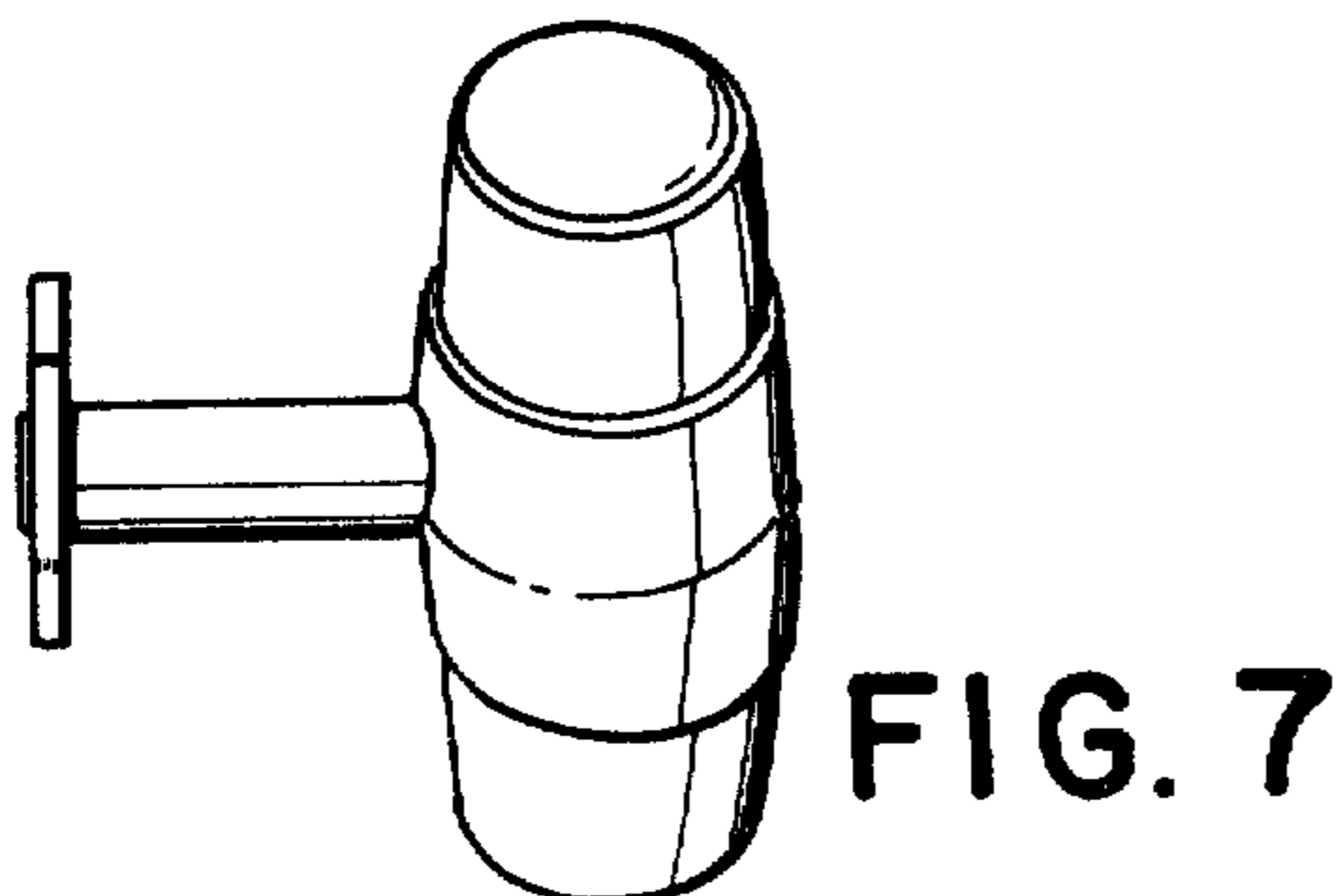


FIG. 7