

[54] HANDLE FOR PHYSICAL EXERCISER OR SIMILAR ARTICLE

[76] Inventors: **Kenneth H. McCoy**, 3107-17th St., Santa Monica, Calif. 90405; **John Romain**, 1629 Veteran Ave., Los Angeles, Calif. 90024

[**] Term: **14 Years**

[21] Appl. No.: **233,633**

[22] Filed: **Feb. 12, 1981**

[52] U.S. Cl. **D21/191; D21/198**

[58] Field of Search **D6/93, 103, 117, 118; D21/191-199, 53, 101; 272/61, 67, 68, 72, 116, 117, 118, 125, 128, 131, 132, 142, , 112, 143; D8/310, 312; D9/434, 499; D2/243-248; D23/47; 285/335, 336; 217/109; 277/205, 206**

R

[56]

References Cited

U.S. PATENT DOCUMENTS

| | | | |
|-----------|---------|------------------------|---------|
| 906,761 | 12/1908 | White | 285/336 |
| 1,316,570 | 9/1919 | Friedrich | 272/61 |
| 3,908,717 | 9/1975 | Rademacher et al. | 277/206 |

Primary Examiner—Charles A. Rademaker
Attorney, Agent, or Firm—Cislo, O'Reilly & Thomas

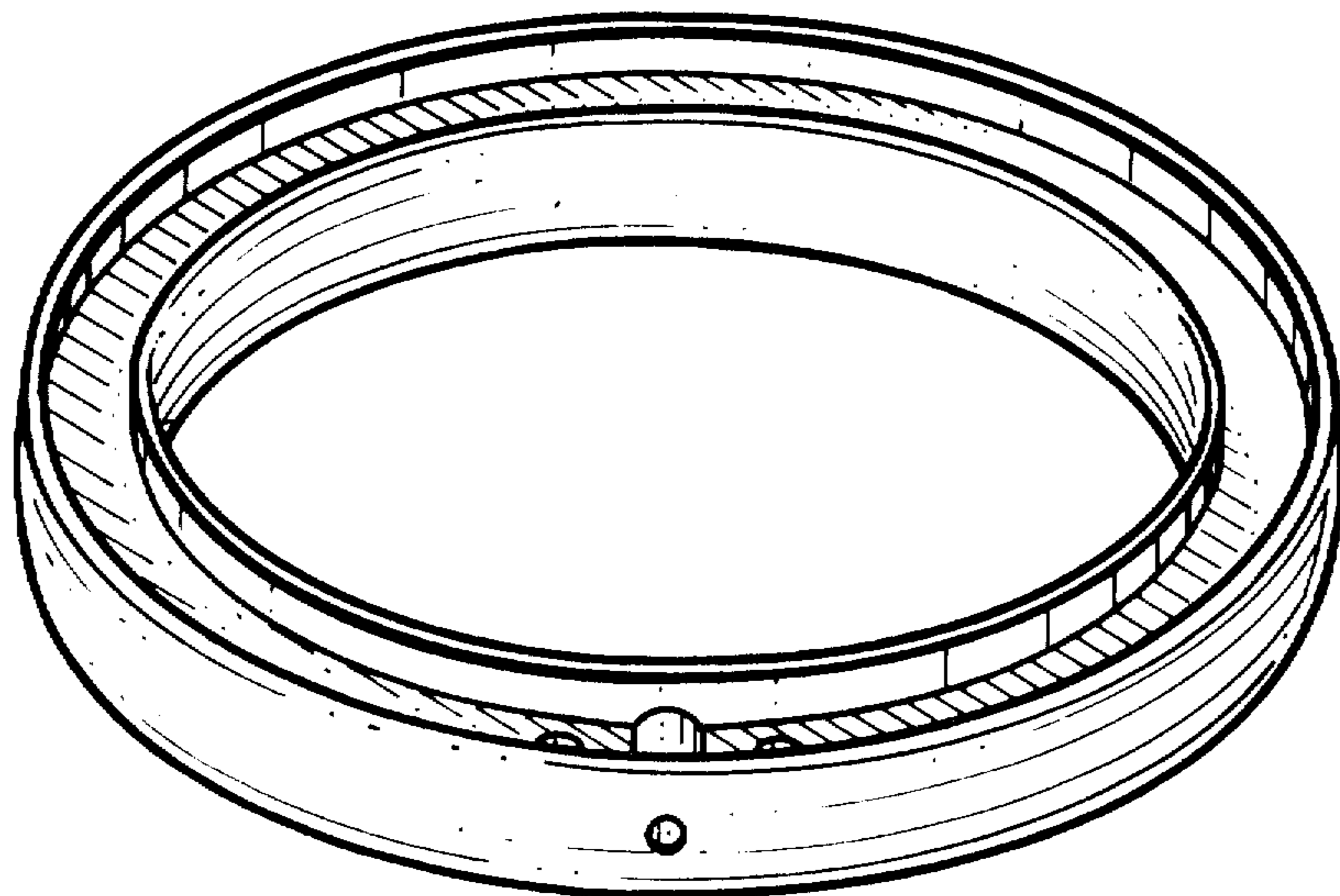
[57]

CLAIM

The ornamental design for handle for physical exerciser or similar article, as shown and described.

DESCRIPTION

FIG. 1 is a perspective view of a handle for physical exerciser or similar article showing our new design; FIG. 2 is a front elevational view thereof; FIG. 3 is a side elevational view thereof; and FIG. 4 is a cross-sectional view taken along the line 4-4 of FIG. 2.



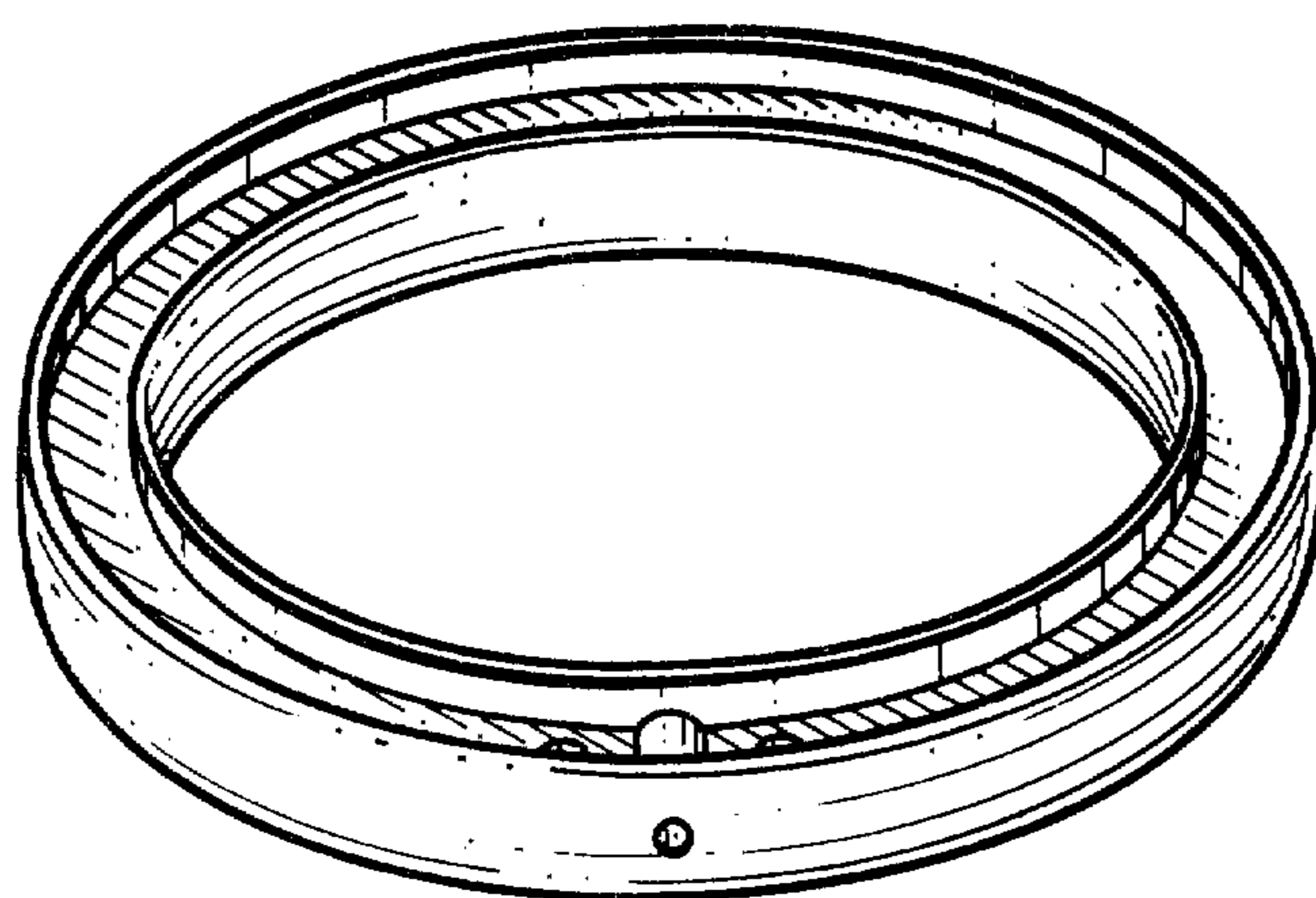


Fig. 1.

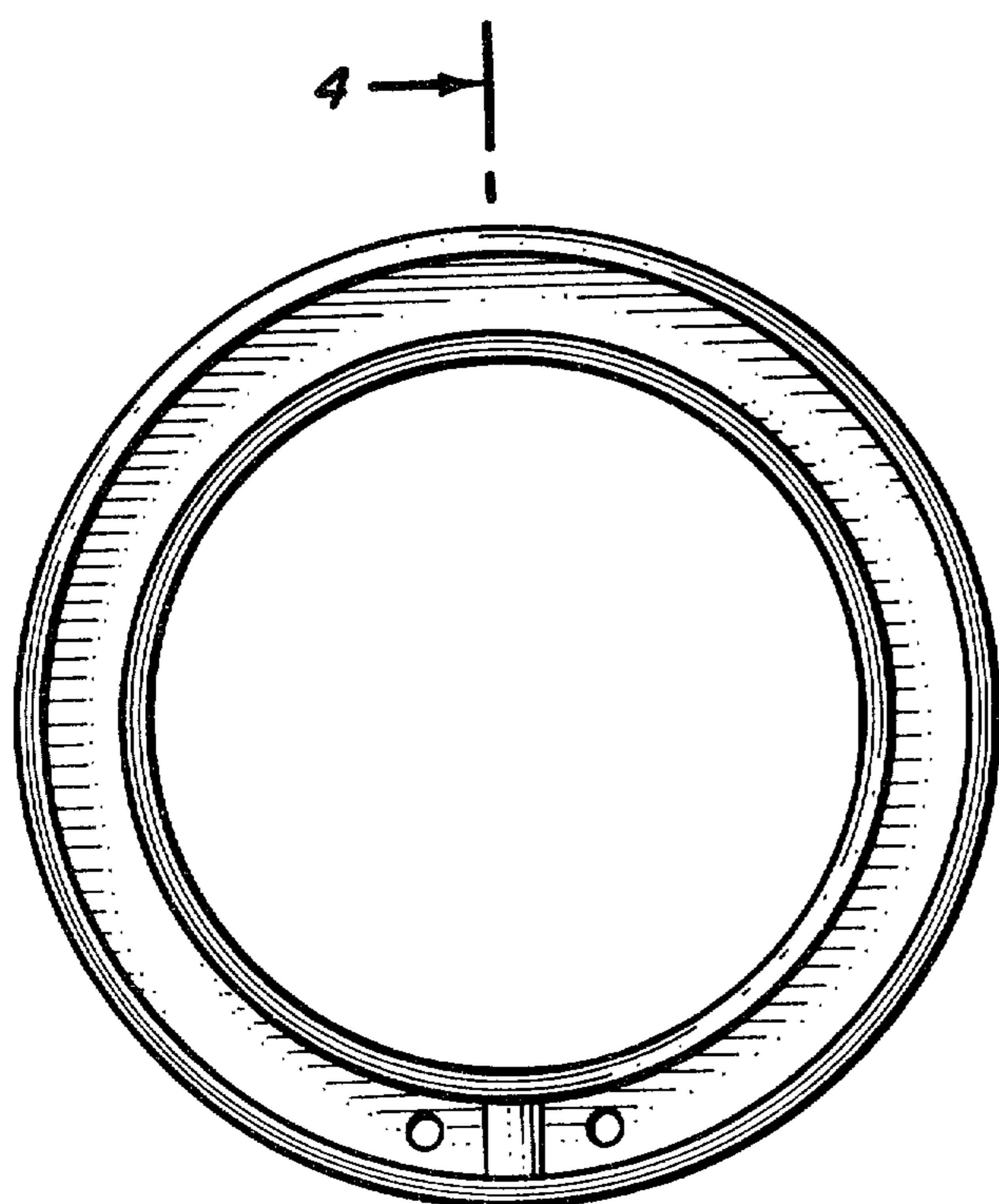


Fig. 2.

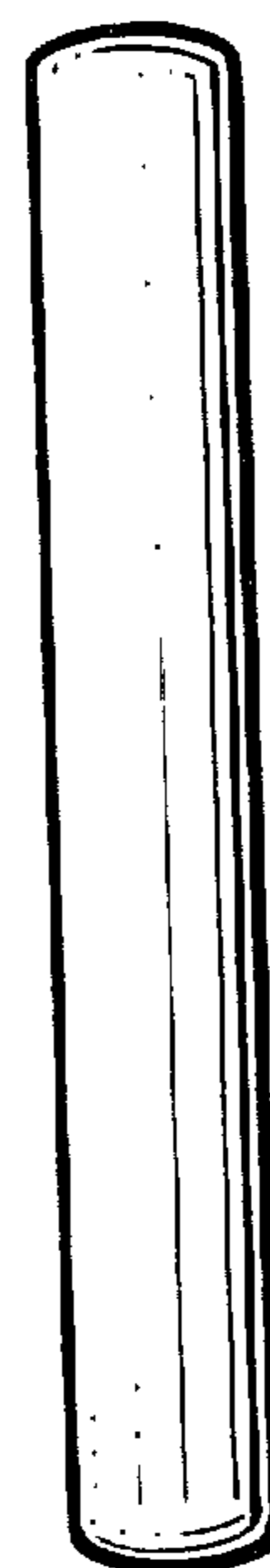


Fig. 3.



Fig. 4.