

[54] BALL TRANSFERING GAME BOARD

3,866,918 2/1975 Goldfarb et al. 273/287

[75] Inventors: Masaaki Yoshimura, Tokyo, Japan;
Hitoshi Itakura, Torrance, Calif.

4,055,341 10/1977 Martinez 273/110

4,290,605 9/1981 Matsumoto 273/110

[73] Assignee: Tomy Kogyo Co., Inc., Japan

Primary Examiner—Charles A. Rademaker
Attorney, Agent, or Firm—K. H. Boswell; Edward D.
O'Brian

[**] Term: 14 Years

[21] Appl. No.: 263,498

[57] CLAIM

The ornamental design for a ball transferring game board, substantially as shown and described.

[22] Filed: May 14, 1981

DESCRIPTION

[30] Foreign Application Priority Data

Nov. 20, 1980 [JP] Japan 55-48576

[52] U.S. Cl. D21/19; D21/59

[58] Field of Search D21/19, 59, 143, 210;
46/43; 273/110, 287

FIG. 1 is a perspective view of a ball transferring game board showing our new design;

FIG. 2 is a left side elevational view thereof;

FIG. 3 is another side elevational view thereof;

FIG. 4 is a bottom plan view thereof;

FIG. 5 is another perspective view thereof similar to

FIG. 1 and including a centralized housing member;

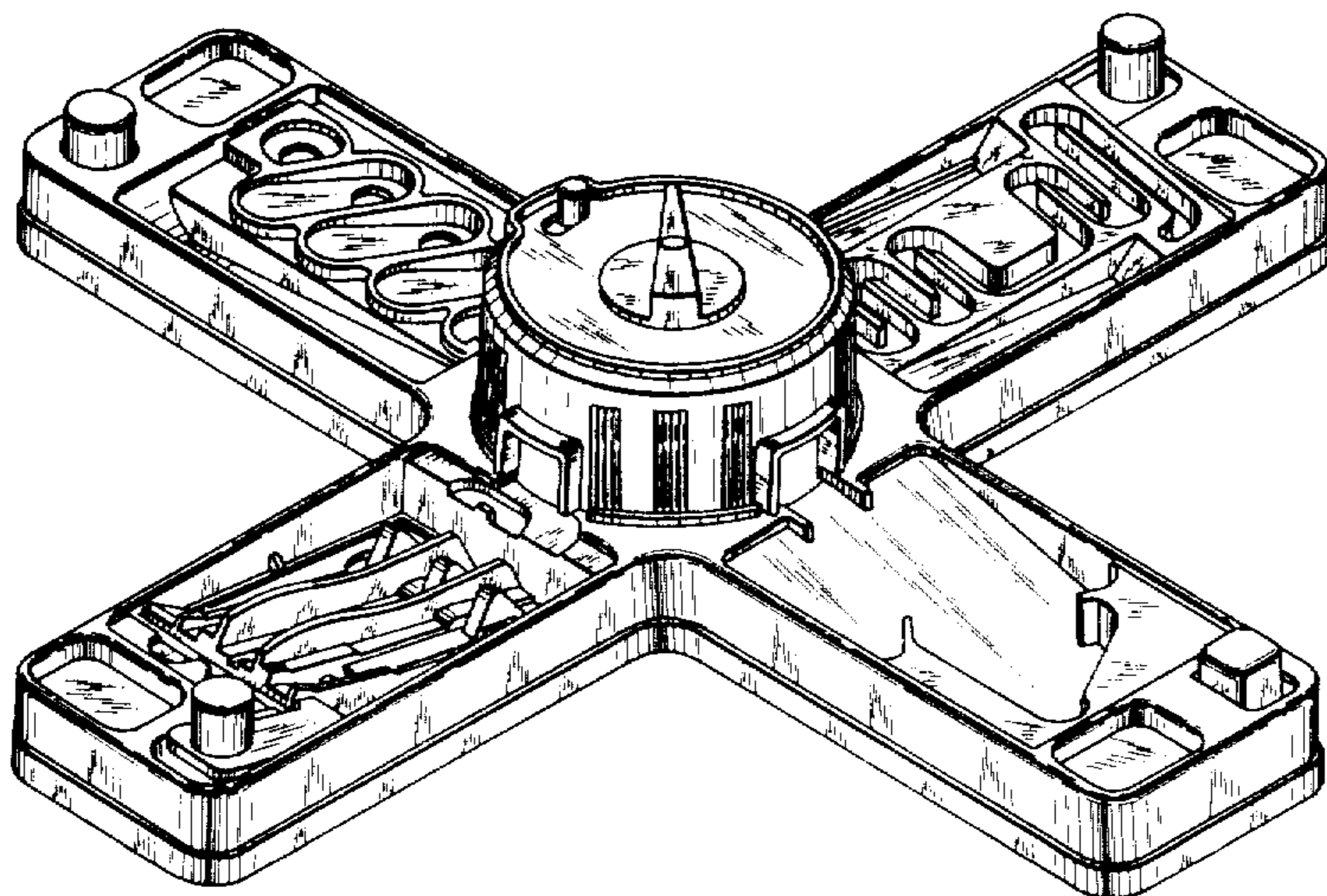
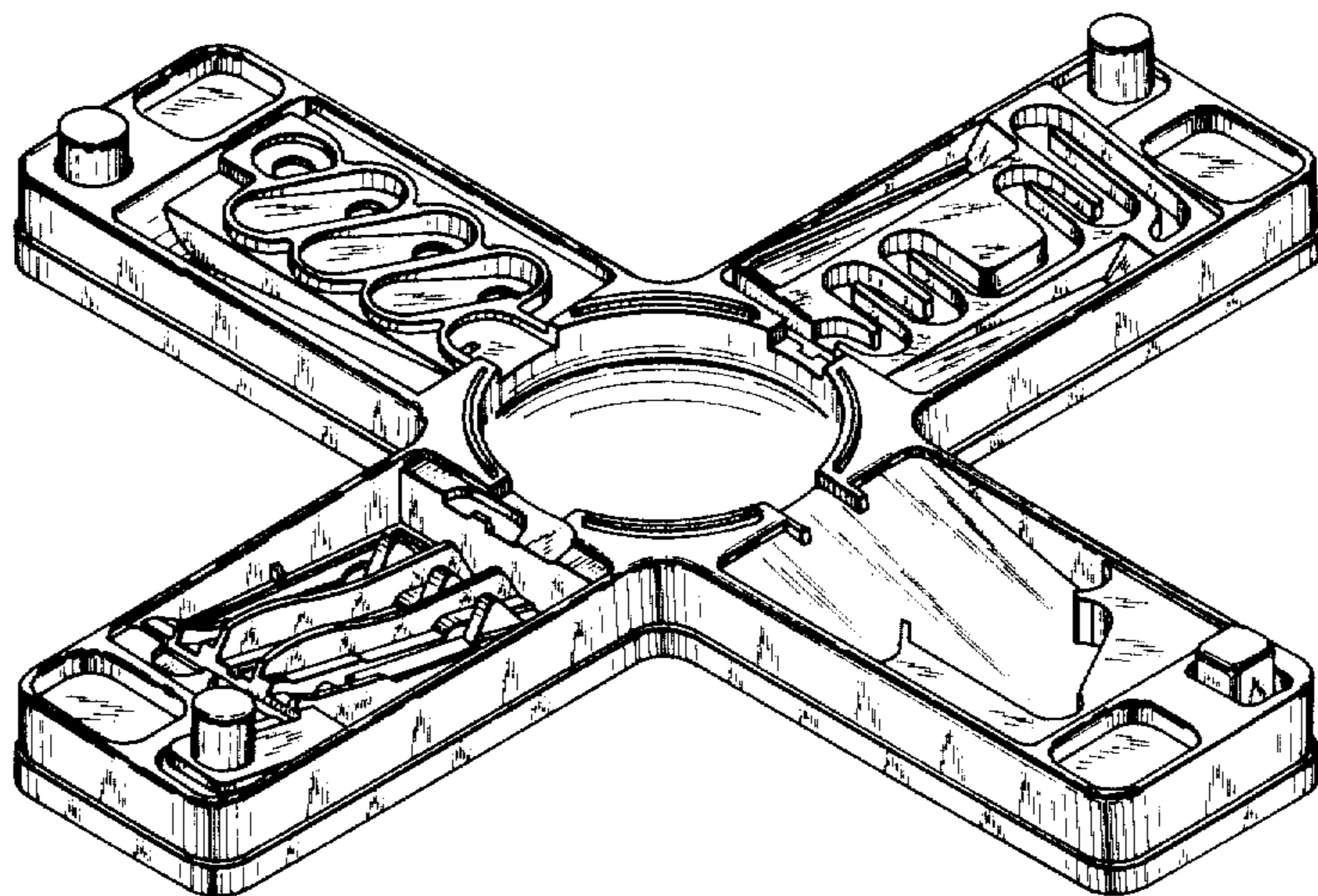
FIG. 6 is a left side elevational view thereof; and,

FIG. 7 is another side elevational view thereof.

[56] References Cited

U.S. PATENT DOCUMENTS

D. 265,487 7/1982 Ohki D21/59



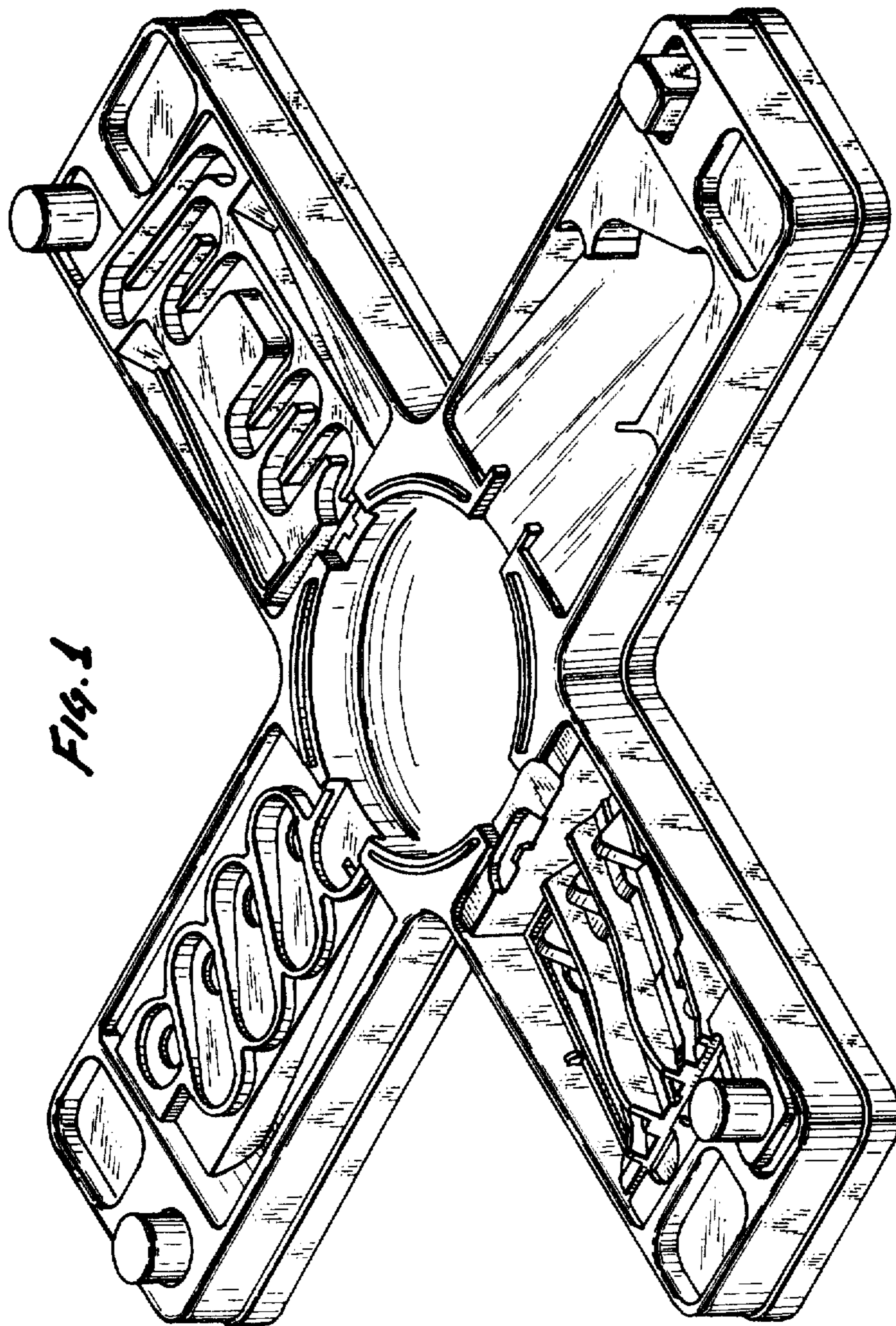


Fig. 1

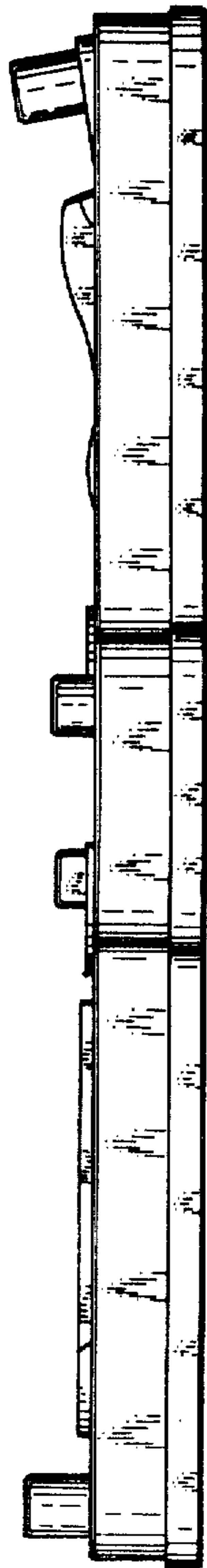


Fig. 2

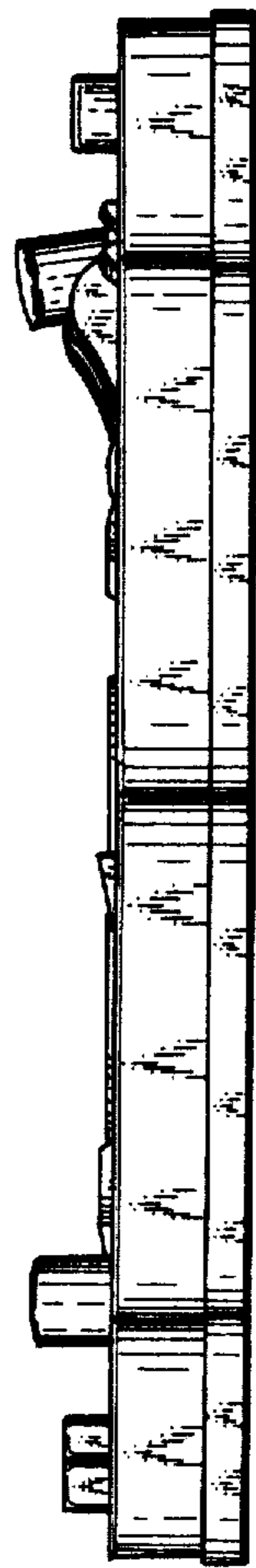


Fig. 3

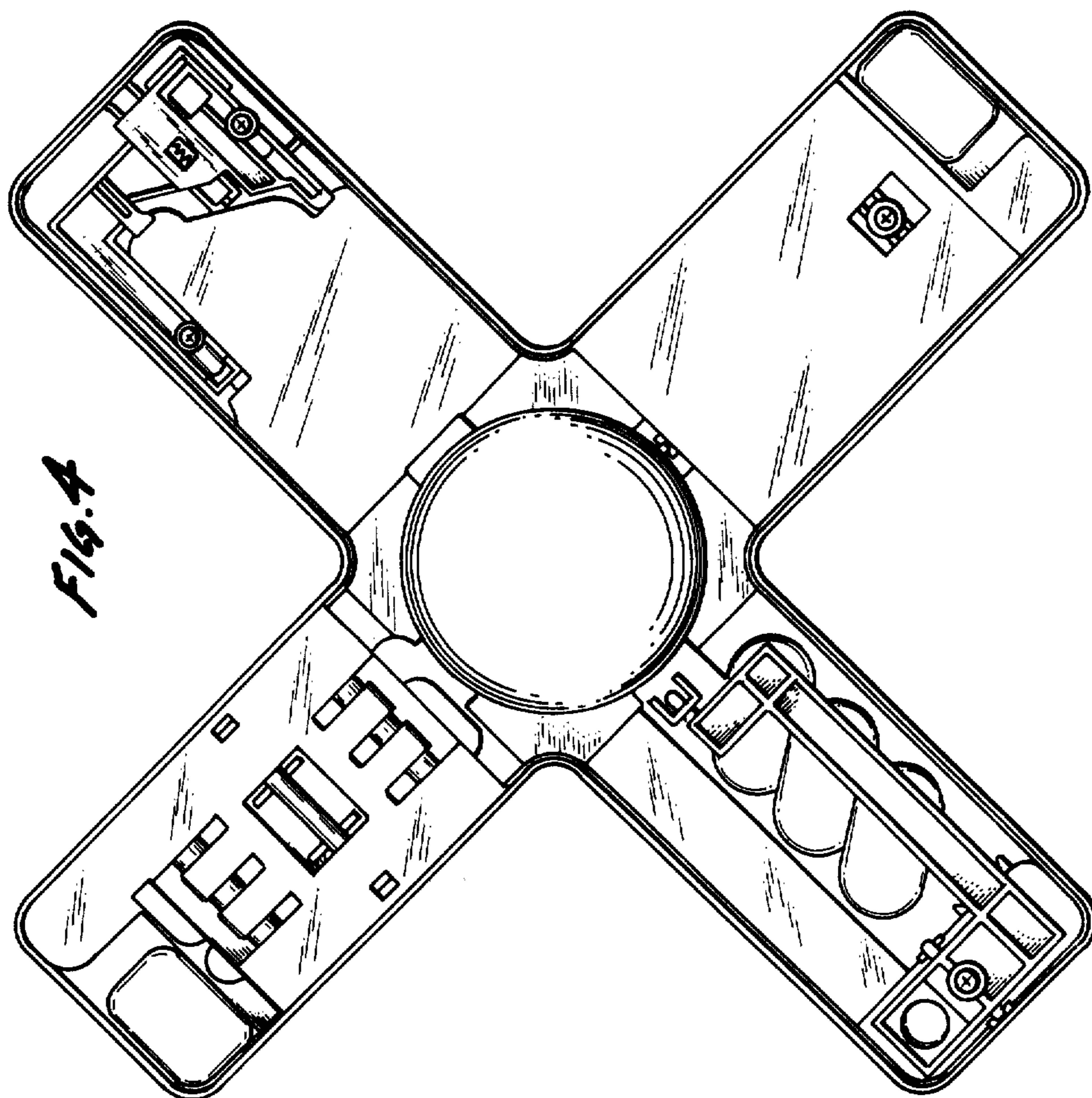


FIG. 4

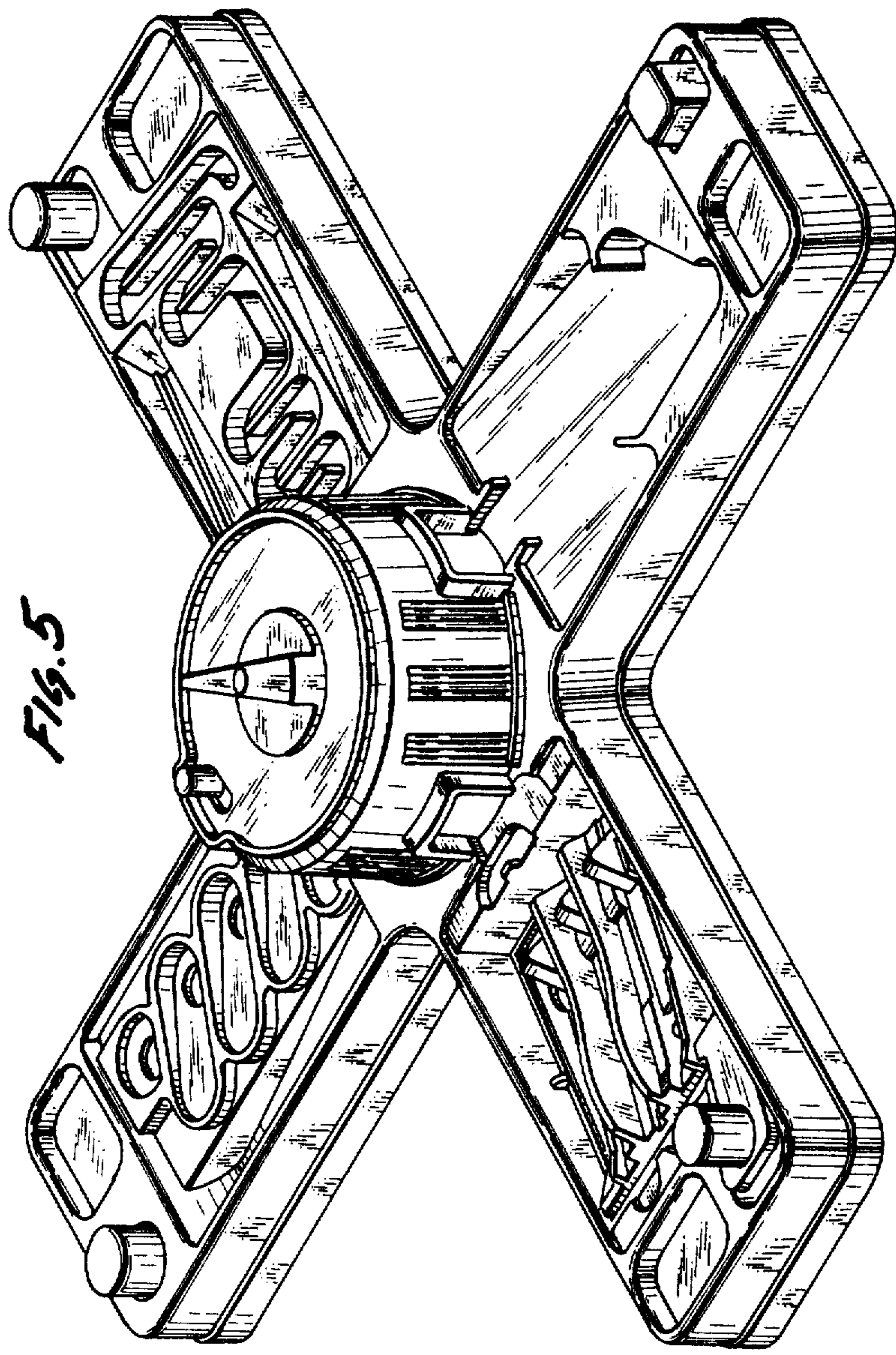


Fig. 5

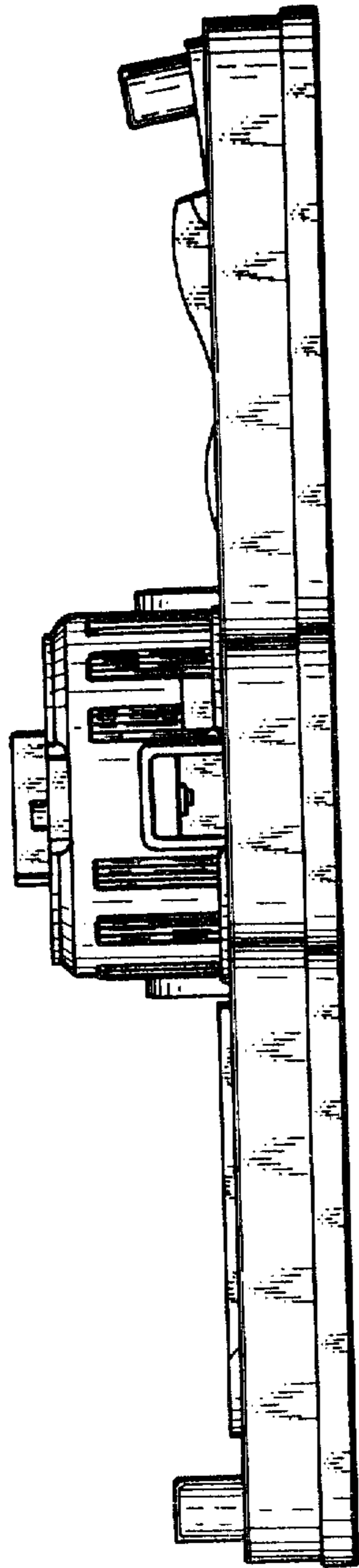


Fig. 6

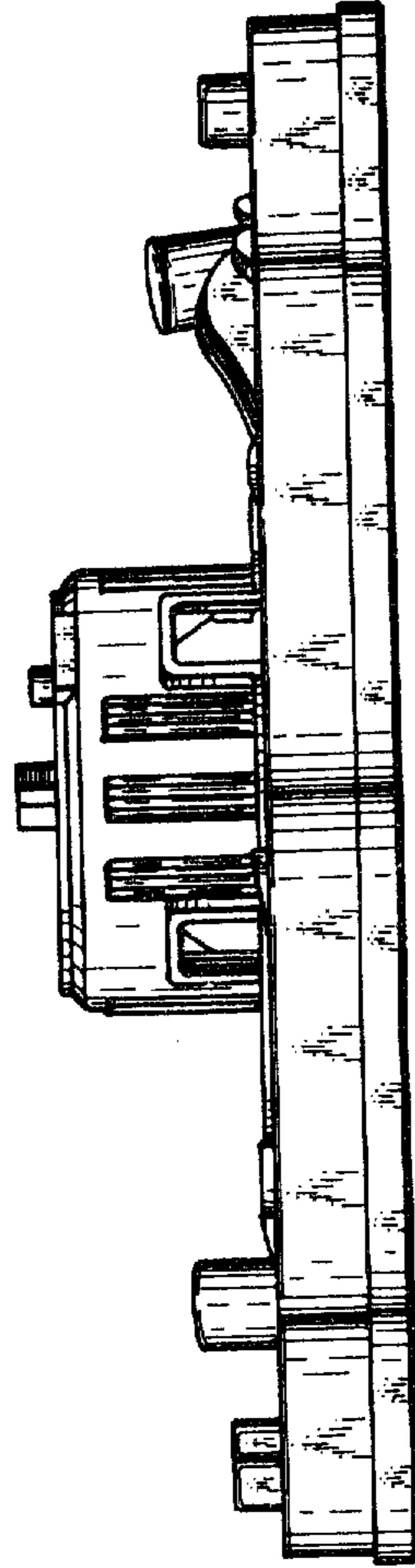


Fig. 7