

[54] **ROBOT FOR AUTOMATIC PAINT SPRAYING OR THE LIKE**
[76] Inventor: **Ole Molaug**, Jernbanegt. 4, 4340 Bryne, Norway

[**] Term: **14 Years**

[21] Appl. No.: **333,289**

[22] Filed: **Dec. 22, 1981**

[30] **Foreign Application Priority Data**

Jun. 24, 1981 [NO] Norway 62079
[52] U.S. Cl. **D15/199; D15/122**
[58] Field of Search D15/122, 199; 414/729, 414/730, 732, 738, 739; 239/69, 178, 187; 118/697

[56] **References Cited**

U.S. PATENT DOCUMENTS

3,476,266 11/1969 Devol 414/739
3,826,383 7/1974 Richter 414/730
3,951,271 4/1976 Mette 414/730

3,954,188 5/1976 Boyle 414/732
4,140,226 2/1979 Richter 414/729
4,239,431 12/1980 Davini 239/69

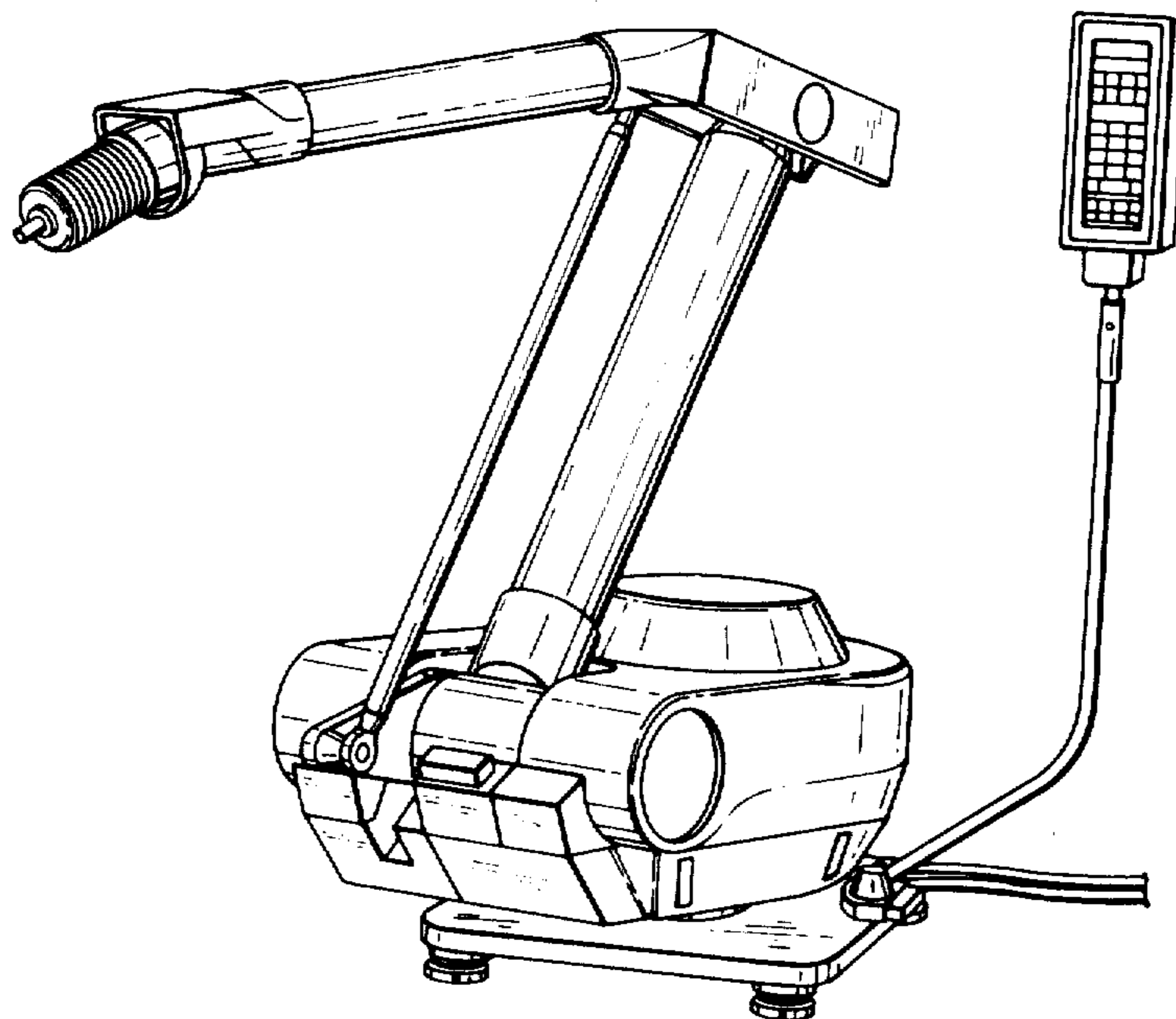
Primary Examiner—B. J. Bullock

[57] **CLAIM**

The ornamental design for a robot for automatic paint spraying or the like, substantially as shown and described.

DESCRIPTION

FIG. 1 is an isometric view of a robot for automatic paint spraying or the like showing my new design, the bottom being unornamented and the tubing being shown broken away to indicate indeterminate length; FIG. 2 is a side elevational view taken from the left of FIG. 1; FIG. 3 is a side elevational view taken from the right of FIG. 1; FIG. 4 is a front elevational view thereof; FIG. 5 is a top plan view thereof; and FIG. 6 is a rear elevational view thereof.



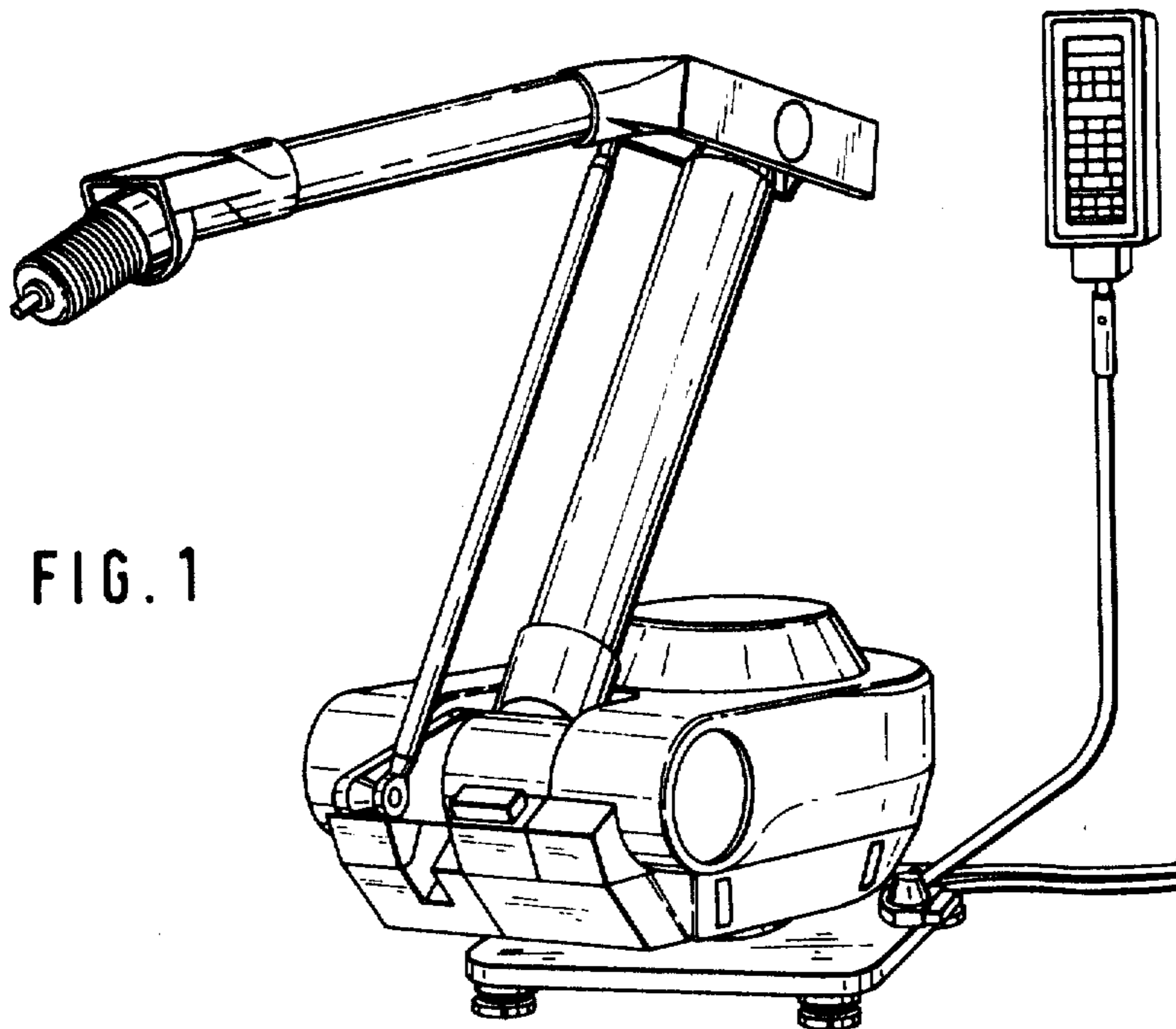


FIG. 1

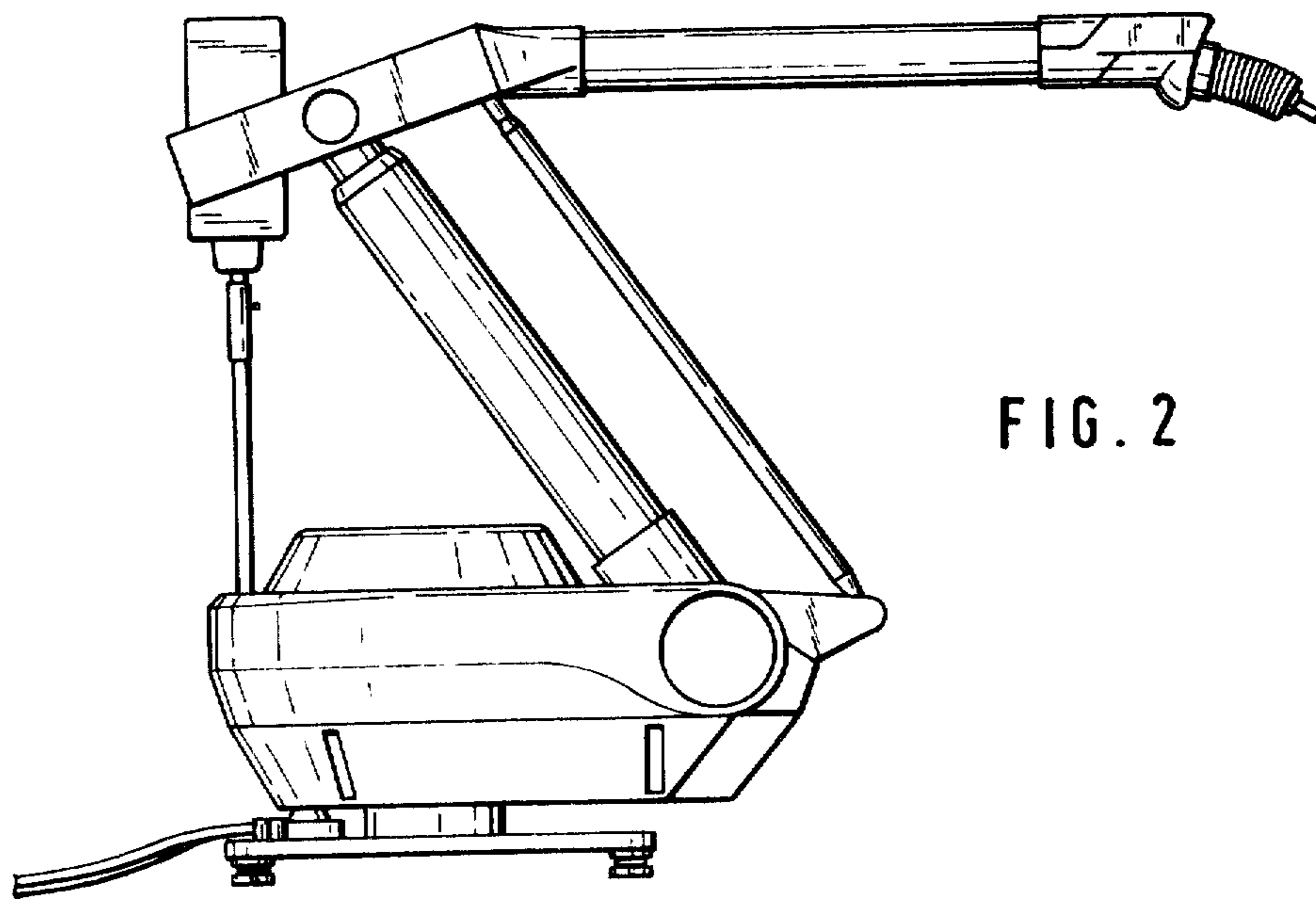


FIG. 2

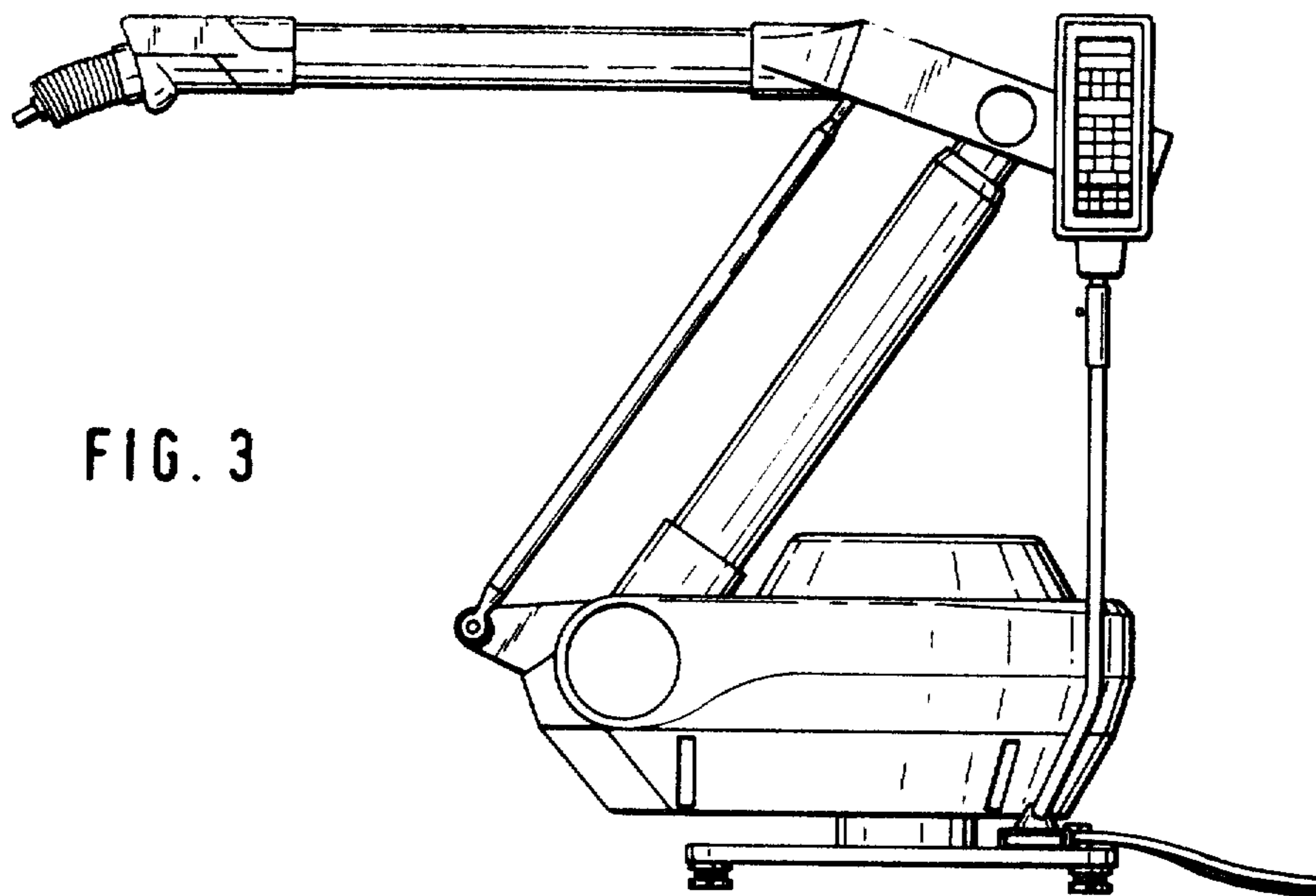


FIG. 3

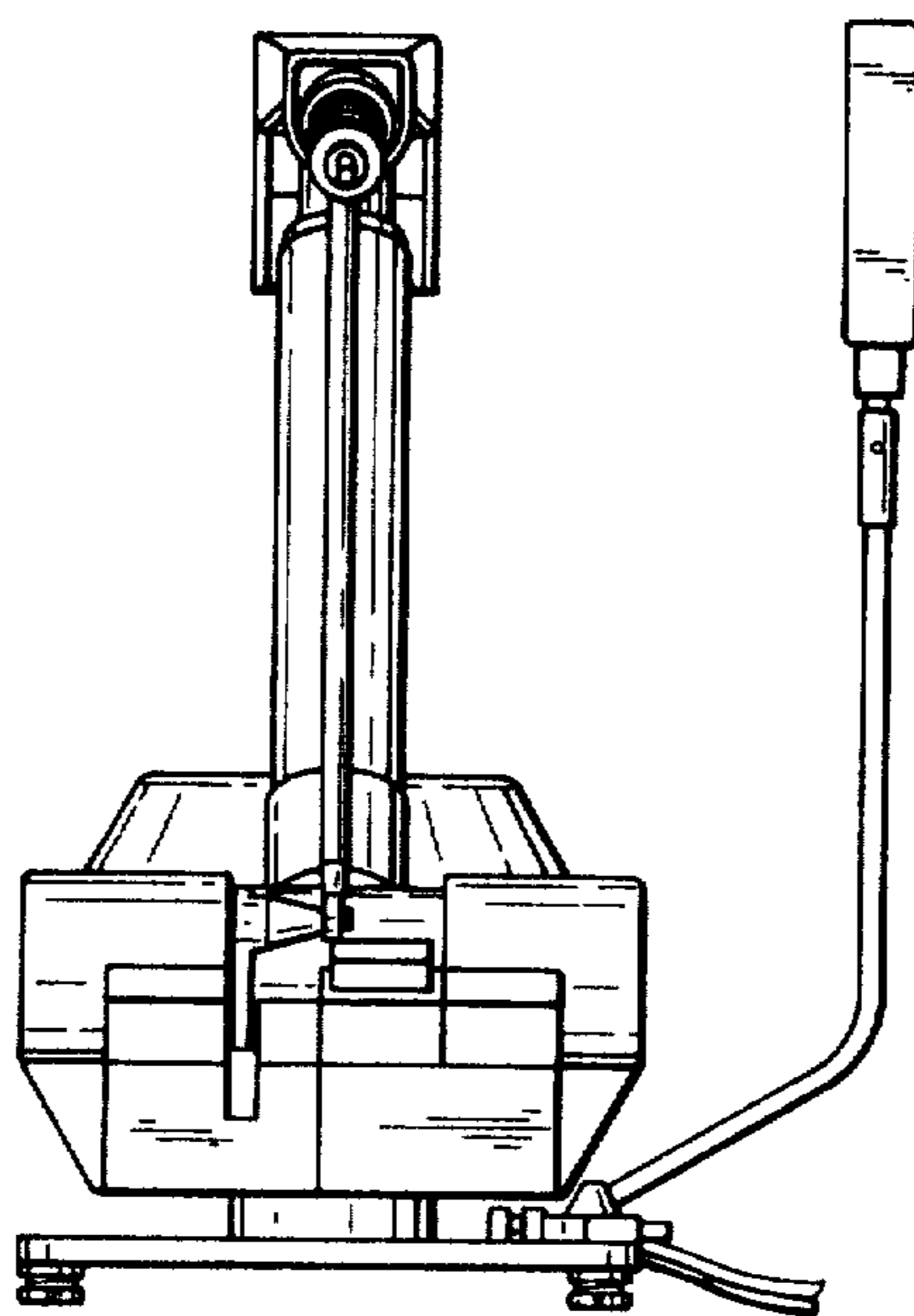


FIG. 4

FIG. 5

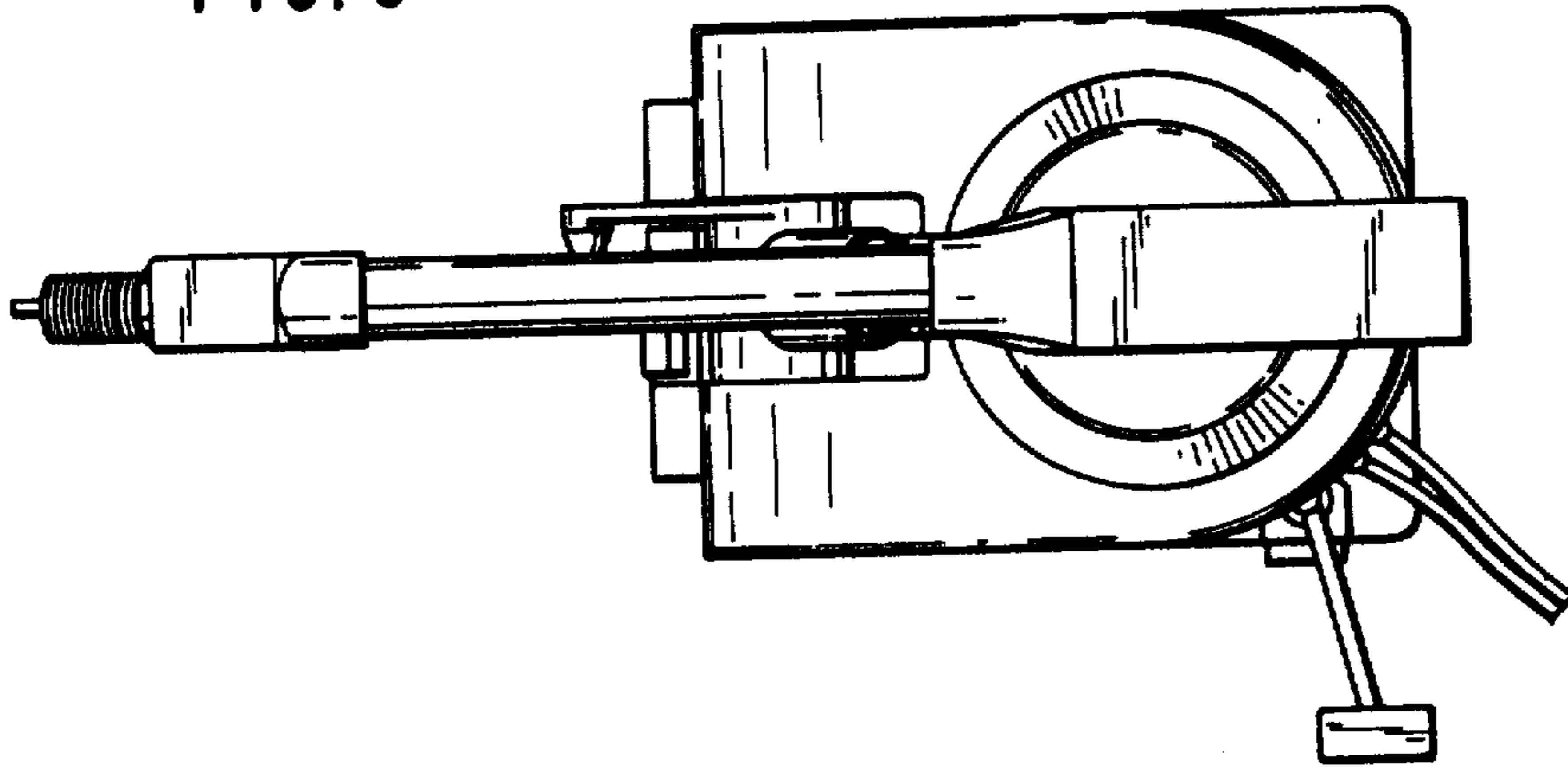


FIG. 6

