

- [54] **ADJUSTABLE PORTABLE HAND DRILL PRESS HOLDER**
- [76] Inventor: **Joseph R. Archeskie**, 402 Miracle La., Chambersburg, Pa. 17201
- [**] Term: **14 Years**
- [21] Appl. No.: **268,269**
- [22] Filed: **May 29, 1981**
- [52] U.S. Cl. **D15/132; D8/70; D15/141**
- [58] Field of Search **D15/122, 132, 199, 141; D8/70; 408/712; 27/26 B**

[56] **References Cited**

U.S. PATENT DOCUMENTS

- 2,748,628 6/1956 Mason 408/712
 2,888,965 6/1959 Phillips 408/712

- 2,973,673 3/1961 Grau 408/712
 3,746,460 7/1973 Lipe 408/712
 3,890,058 6/1975 Self et al. 408/712
 4,284,373 8/1981 Wolff 408/712

Primary Examiner—B. J. Bullock
Attorney, Agent, or Firm—Charles A. Brown

[57] **CLAIM**

The ornamental design for an adjustable portable hand drill press holder, as shown and described.

DESCRIPTION

FIG. 1 is a front perspective view of an adjustable portable hand drill press holder showing my new design; FIG. 2 is a top plan view; FIG. 3 is a front elevational view; FIG. 4 is a side elevational view taken from the right of FIG. 1; and FIG. 5 is a bottom plan view.

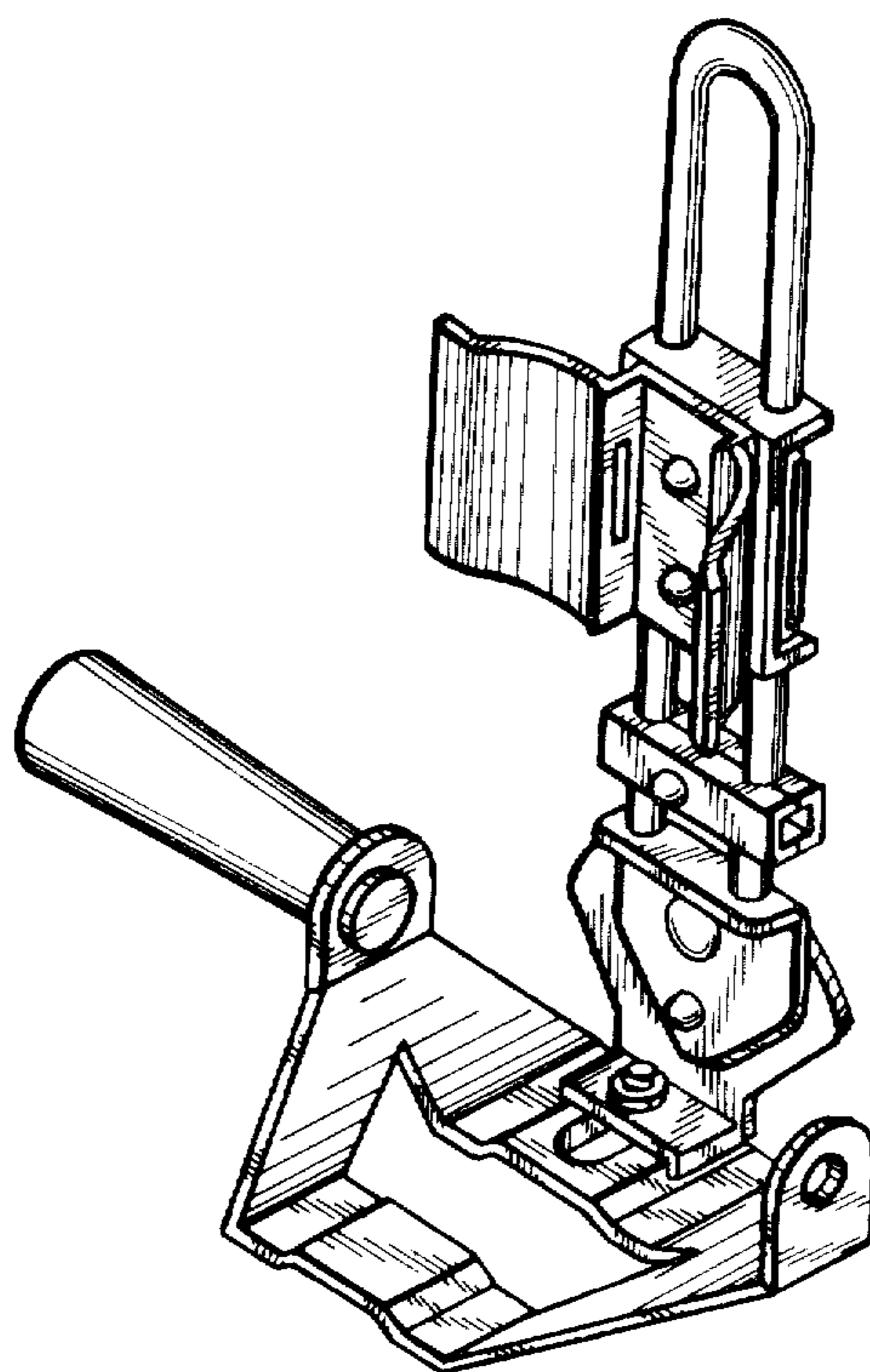


FIG. 1.

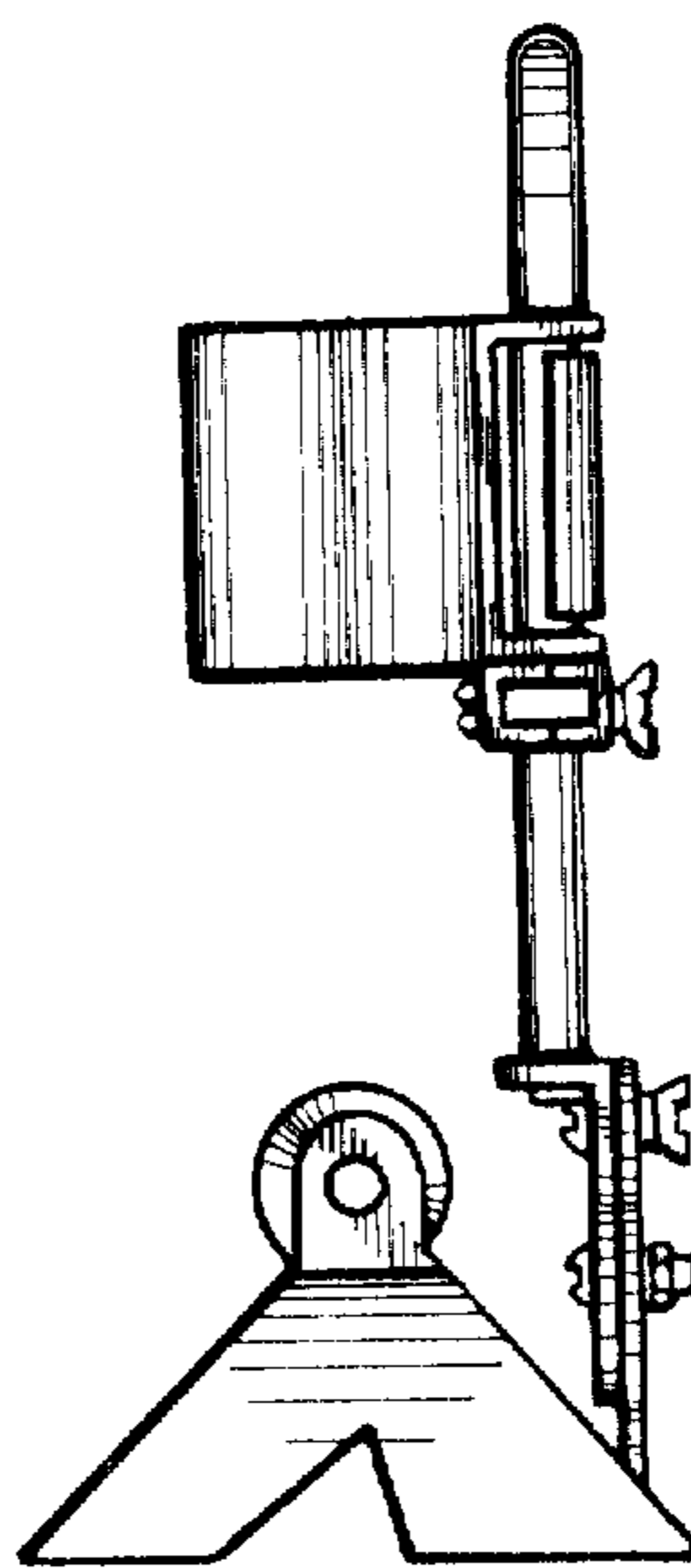
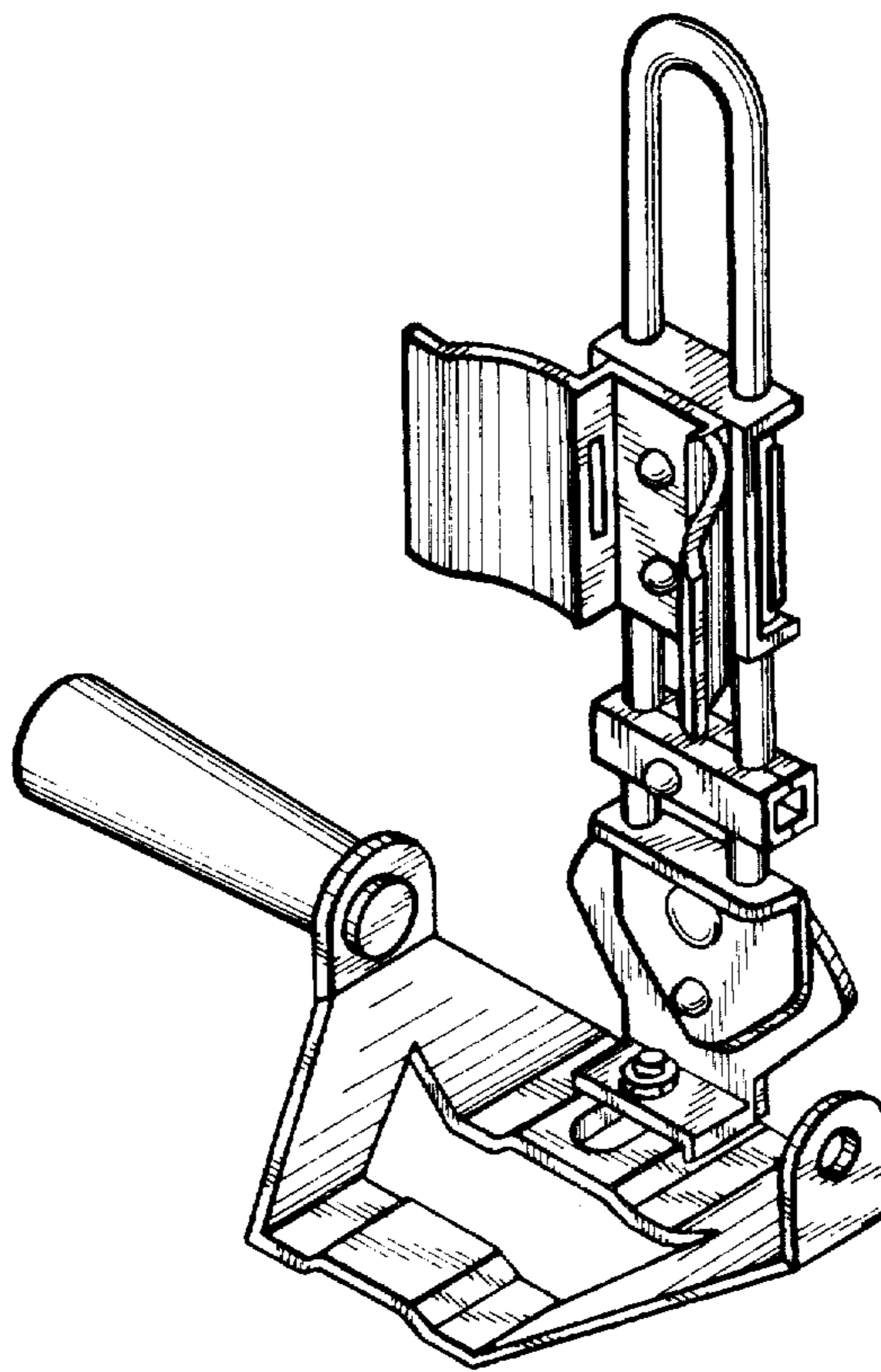


FIG. 4.

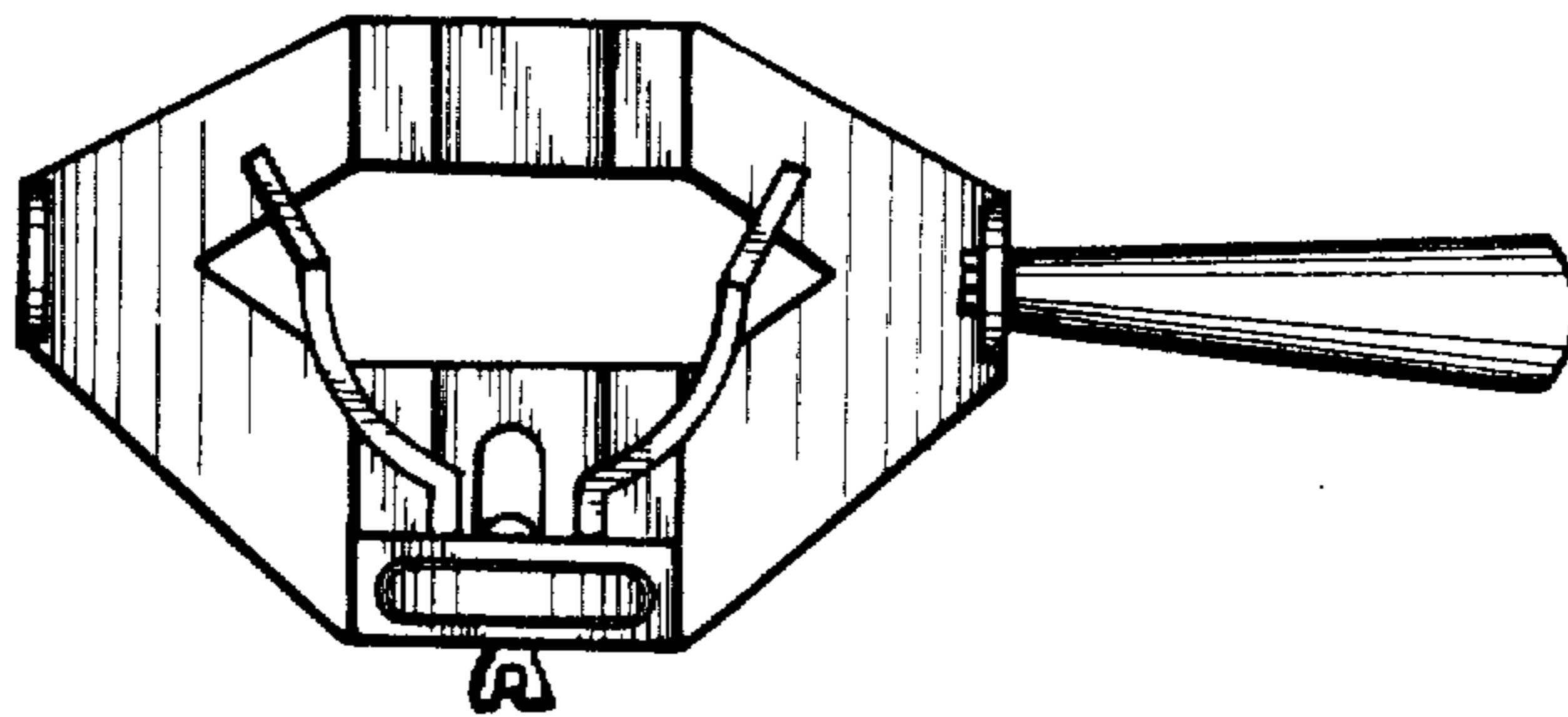


FIG. 2.

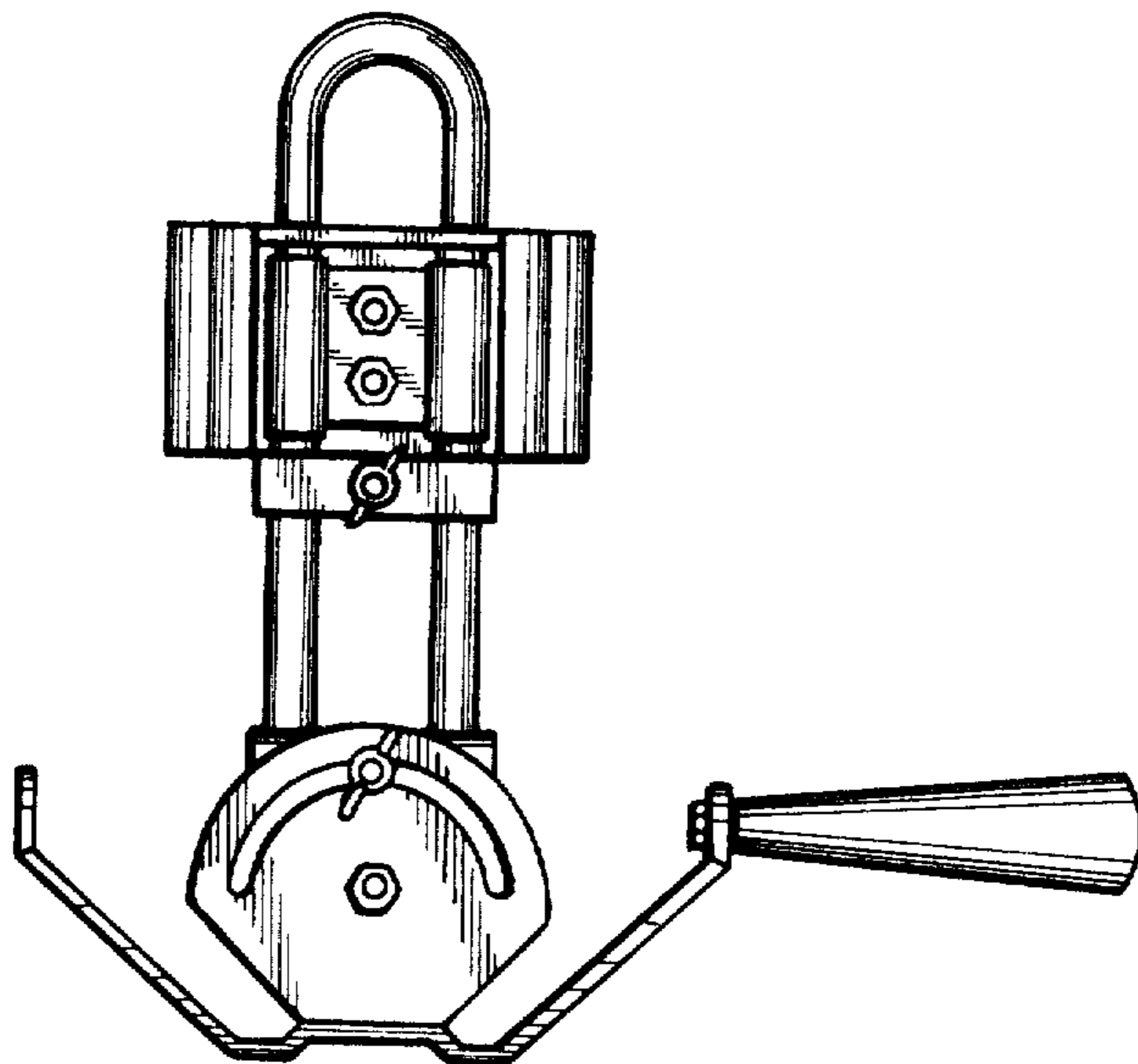


FIG. 3.

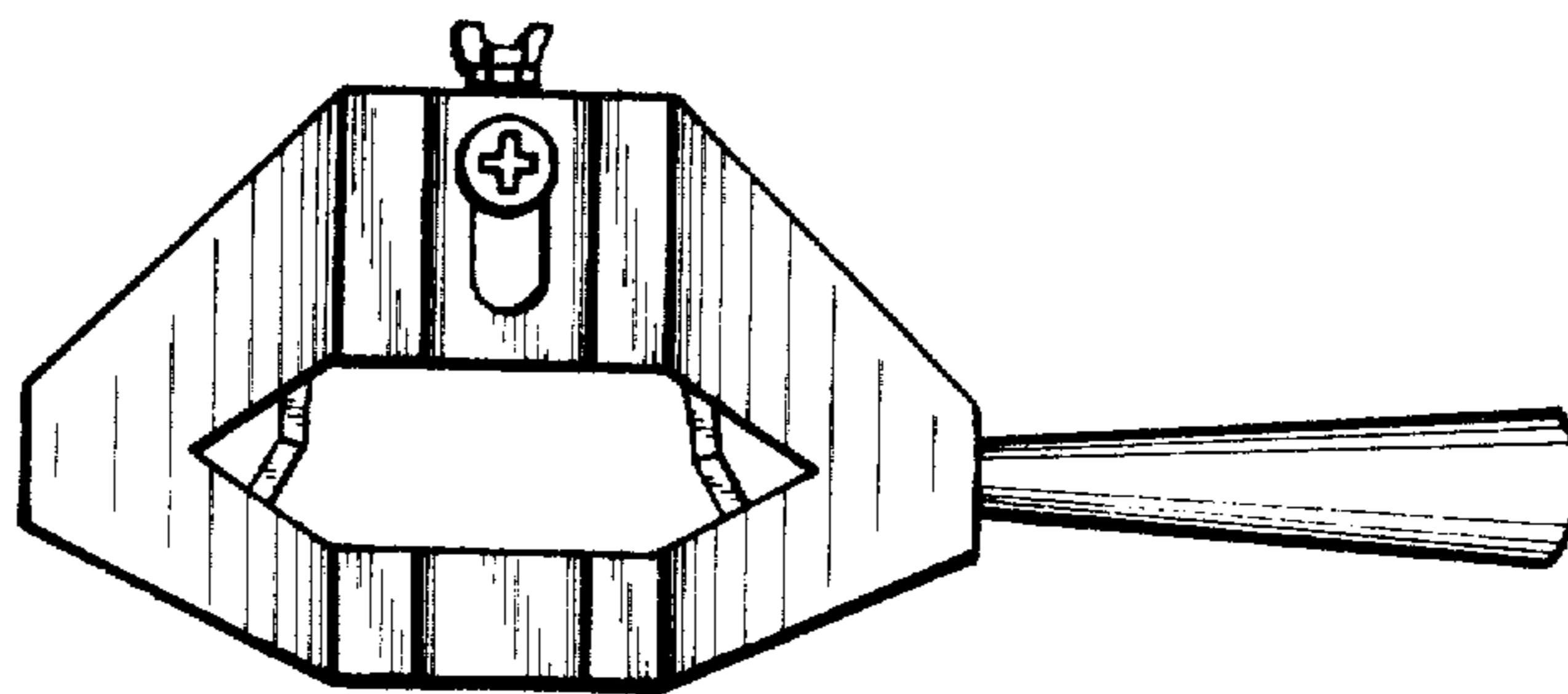


FIG. 5.