

[54] **BRACKET FOR SUPPORTING A LOW PRESSURE GAS CONVERTER**

[75] Inventor: Robert L. Nolff, Romulus, Mich.

[73] Assignee: Propane Carburetion Company, Inc., Romulus, Mich.

[**] Term: 14 Years

[21] Appl. No.: 336,831

[22] Filed: Jan. 4, 1982

[52] U.S. Cl. D15/5

[58] Field of Search D15/5; 123/195 A

[56] **References Cited**

U.S. PATENT DOCUMENTS

D. 55,628	7/1920	Mason	D15/5
D. 261,654	11/1981	Feuling	D15/5
D. 268,585	4/1983	Drakulic	D15/5

3,153,388	10/1964	Cheely	123/195 A
3,919,995	11/1975	Todd	123/195 A

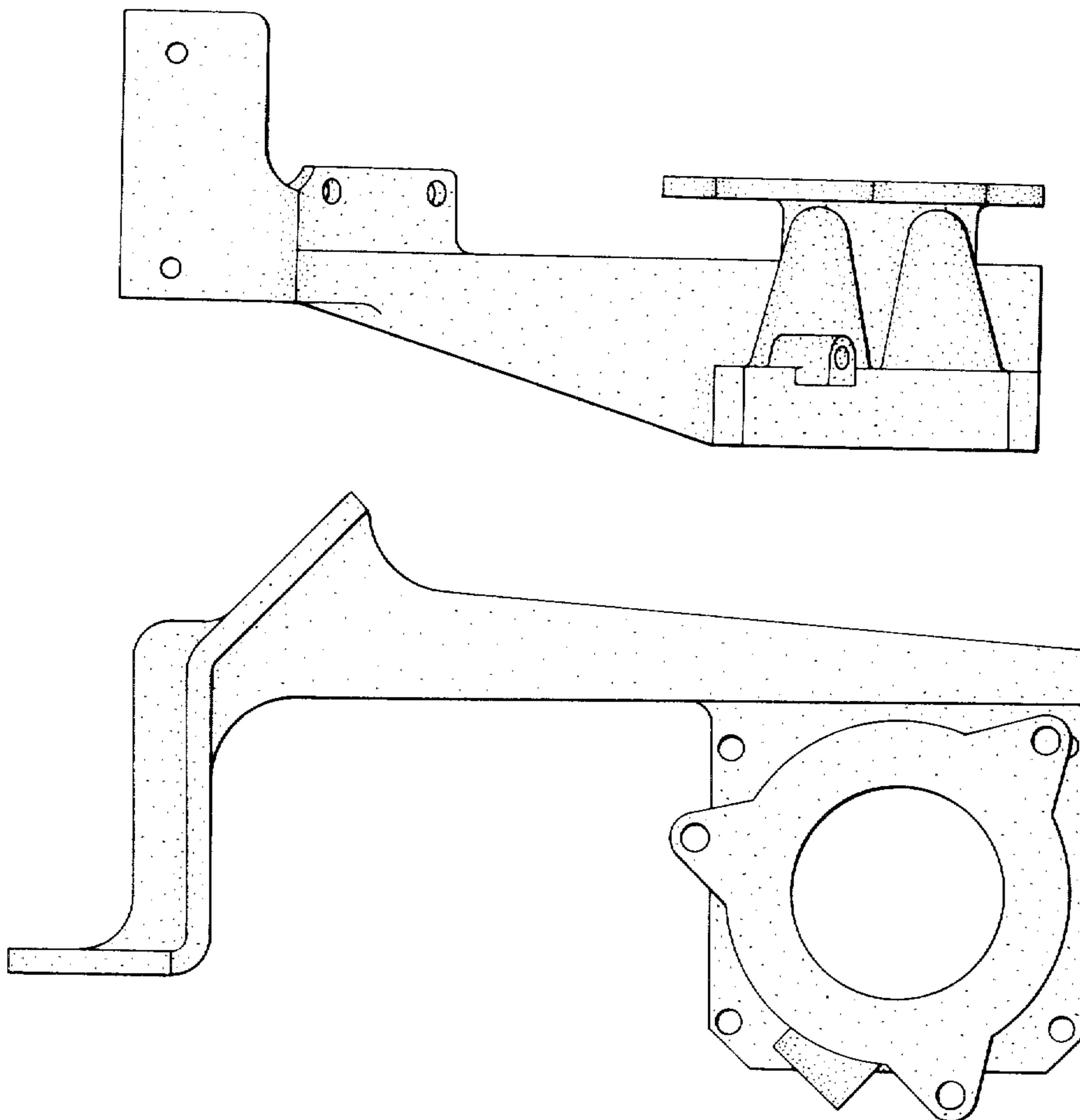
Primary Examiner—Wallace R. Burke
Assistant Examiner—Lynn Wilder
Attorney, Agent, or Firm—Charles W. Chandler

[57] **CLAIM**

The ornamental design for a bracket for supporting a low pressure gas converter, as shown and described.

DESCRIPTION

FIG. 1 is an elevational view of a bracket for supporting a low pressure gas converter showing my new design; FIG. 2 is a elevational view from the opposite side of FIG. 1; FIG. 3 is a elevational view as seen from the right end of FIG. 1; FIG. 4 is a view as seen from the left end of FIG. 1; FIG. 5 is a top plan view thereof; and FIG. 6 is a bottom plan view thereof.



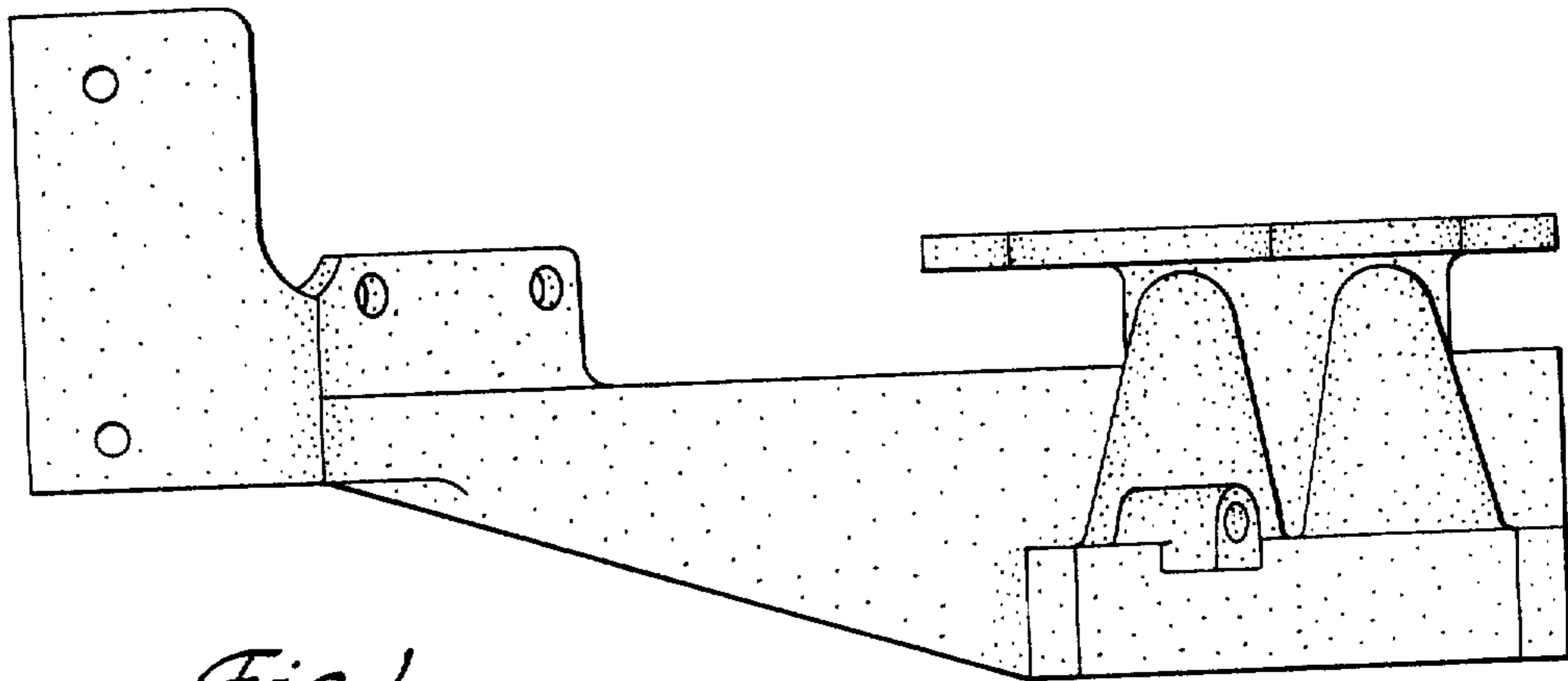


Fig. 1

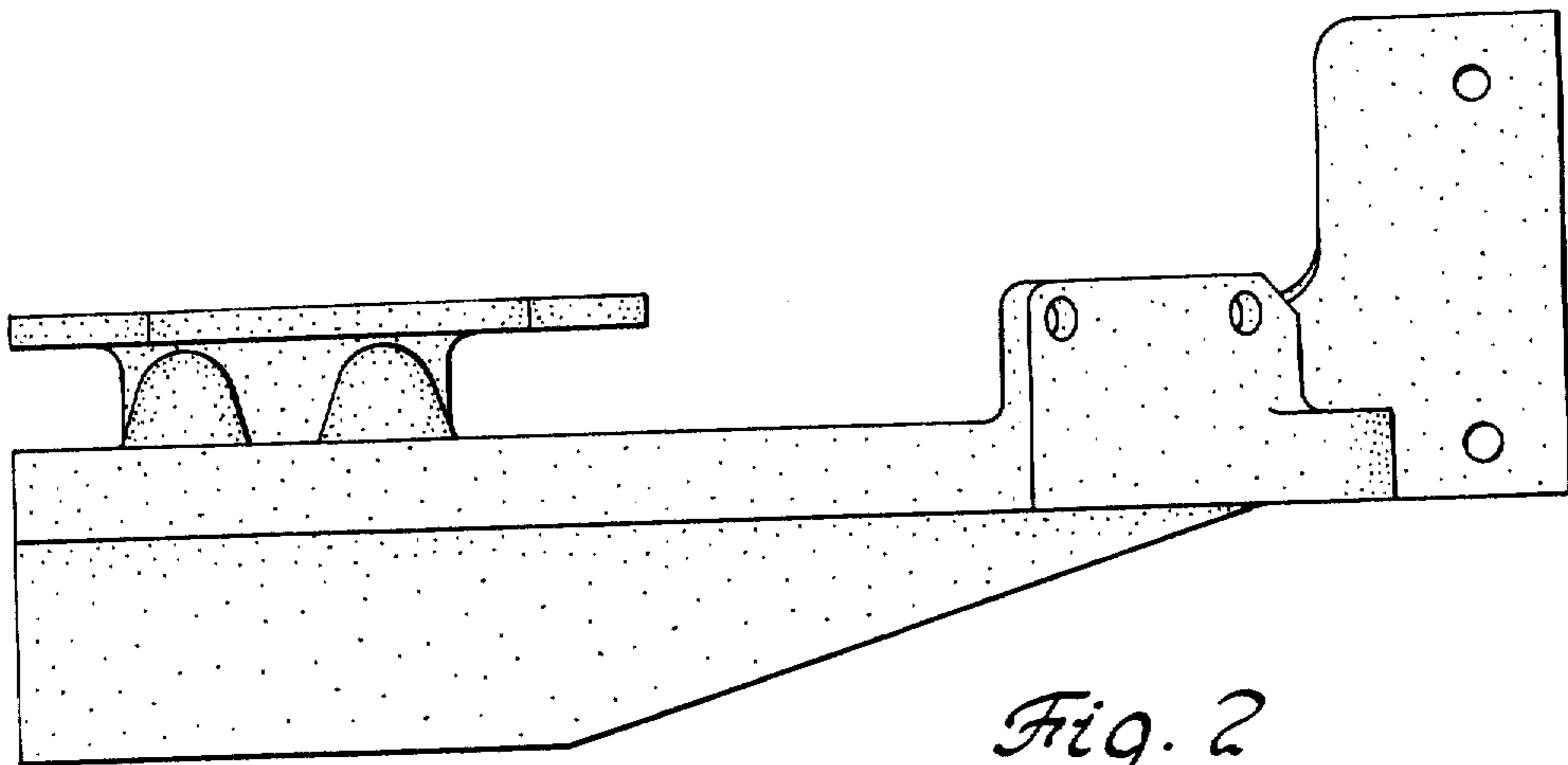


Fig. 2

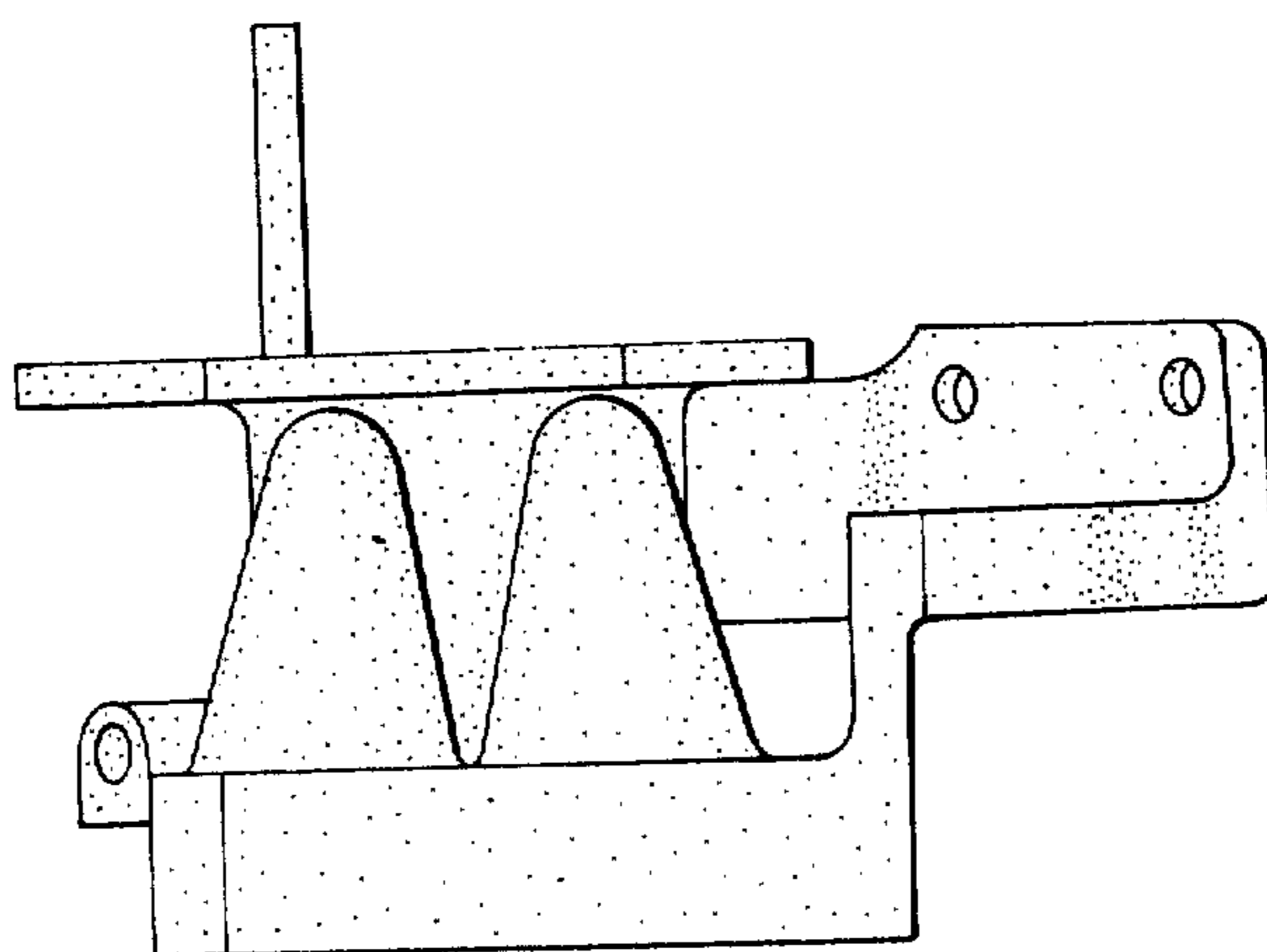


Fig. 3

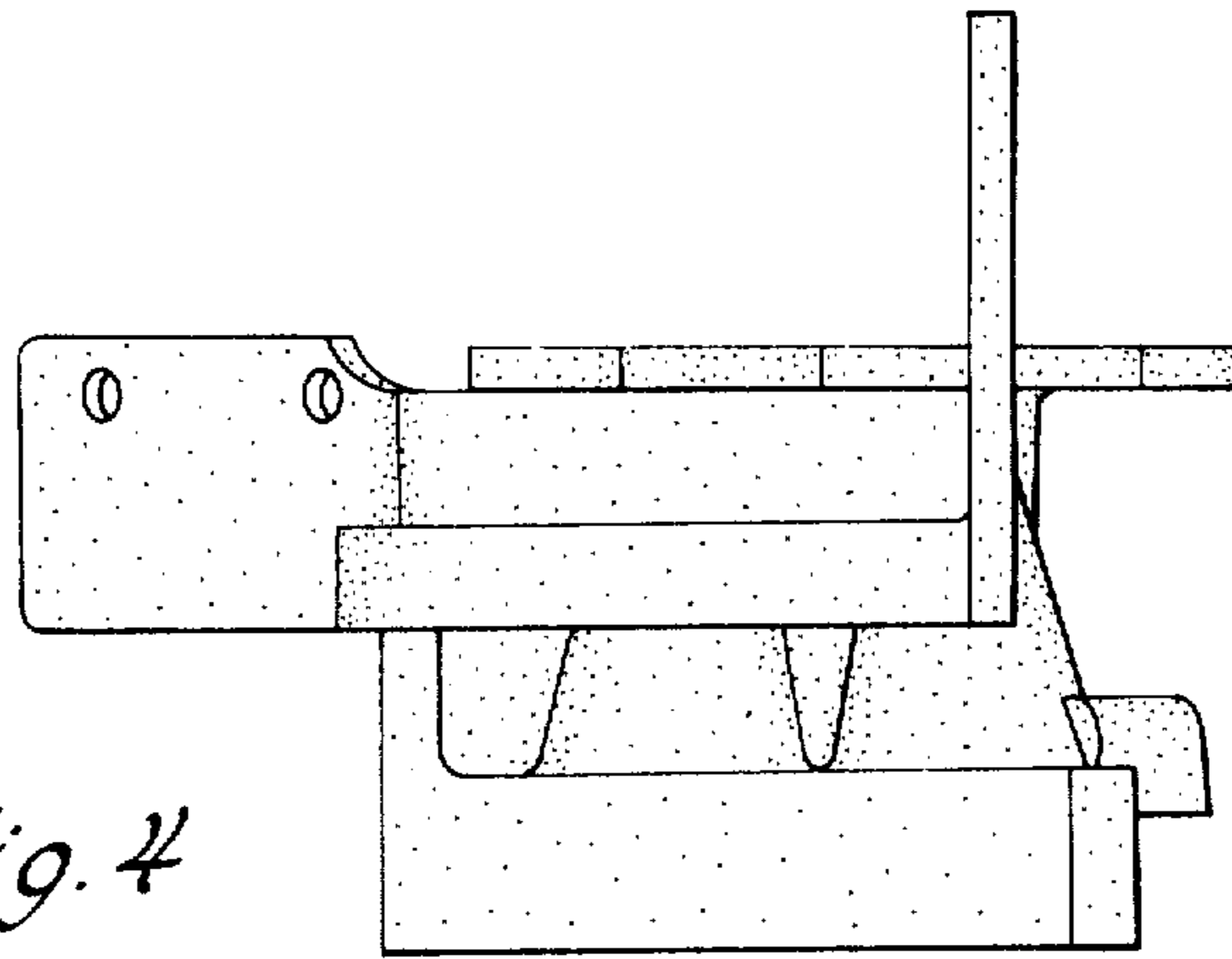


Fig. 4

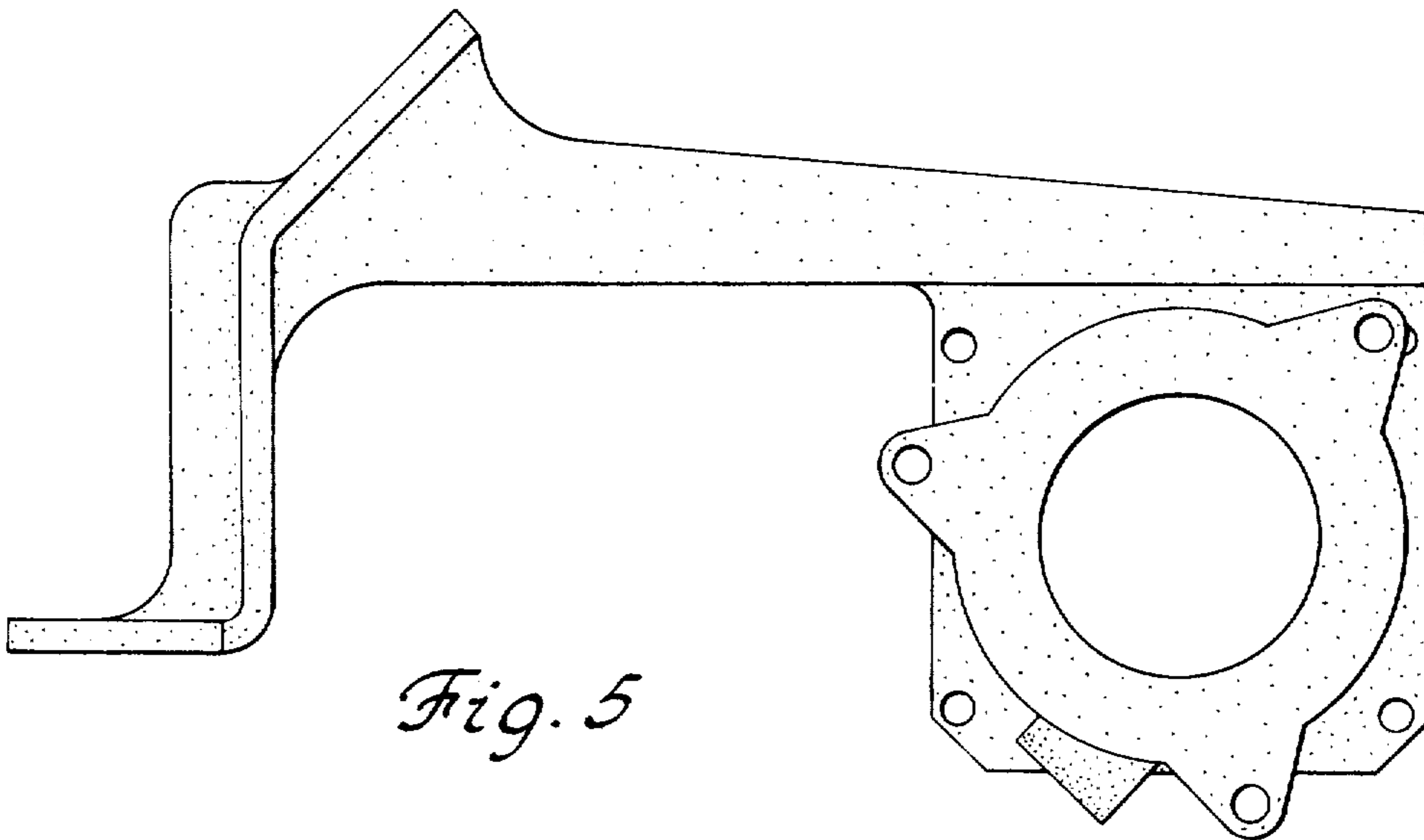


Fig. 5

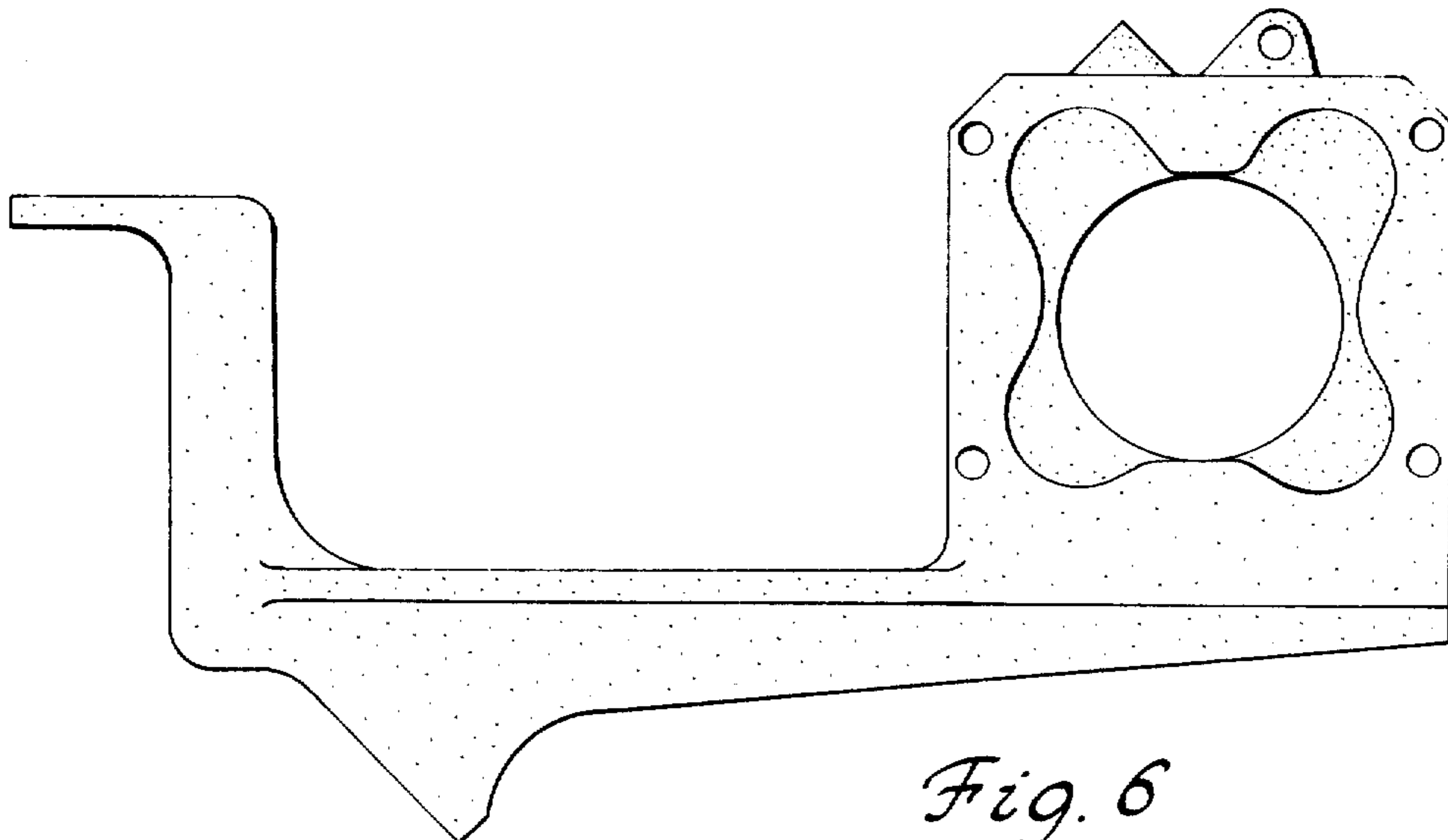


Fig. 6