

[54] HARD DISK DRIVE

[75] Inventor: James R. Stewart, San Jose, Calif.

[73] Assignee: Apple Computer, Inc., Cupertino, Calif.

[**] Term: 14 Years

[21] Appl. No.: 322,922

[22] Filed: Nov. 19, 1981

[52] U.S. Cl. D14/109

[58] Field of Search D14/100-116;
D13/41; 361/380, 390, 394; 360/97, 98, 133;
364/900

[56] References Cited

U.S. PATENT DOCUMENTS

3,789,273 1/1974 O'Brien 360/97 X
3,899,794 8/1975 Brown, Jr. D14/109 X

OTHER PUBLICATIONS

North Star Computers, Inc., Catalog, 5-1980, p. 8, Hard Disk Drive.

Radio Shack TRS-80™ Microcomputer Catalog RSC-3, ©1979, p. 10, VOXBOX™ Housing.

Primary Examiner—Susan J. Lucas

Attorney, Agent, or Firm—Blakely, Sokoloff, Taylor & Zafman

[57] CLAIM

The ornamental design for a hard disk drive, substantially as shown and described.

DESCRIPTION

FIG. 1 is a perspective view of the hard disk drive showing my new design;

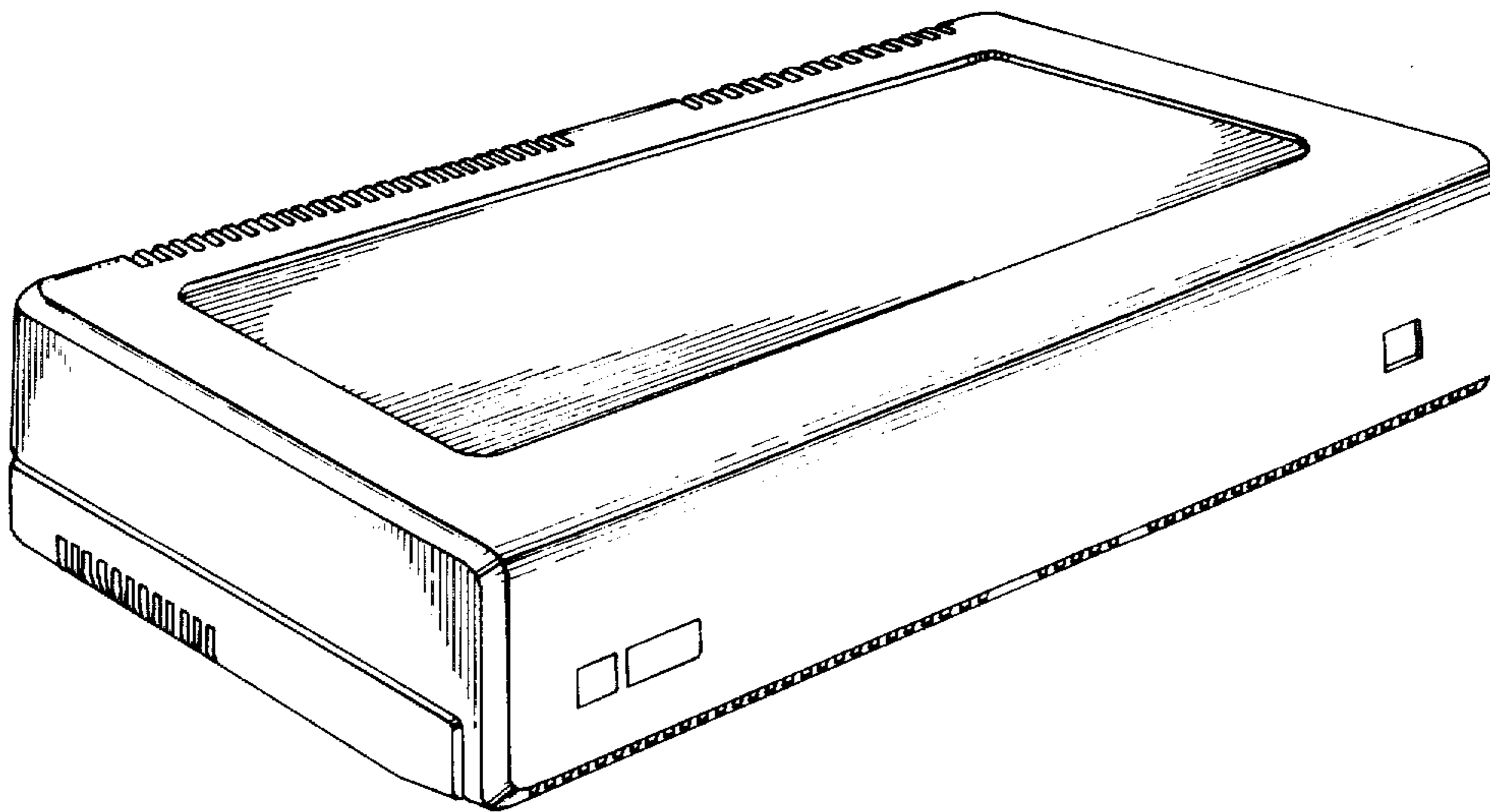
FIG. 2 is a top view thereof;

FIG. 3 is a front view thereof;

FIG. 4 is a rear view thereof;

FIG. 5 is a right side view thereof; and

FIG. 6 is a left side view thereof.



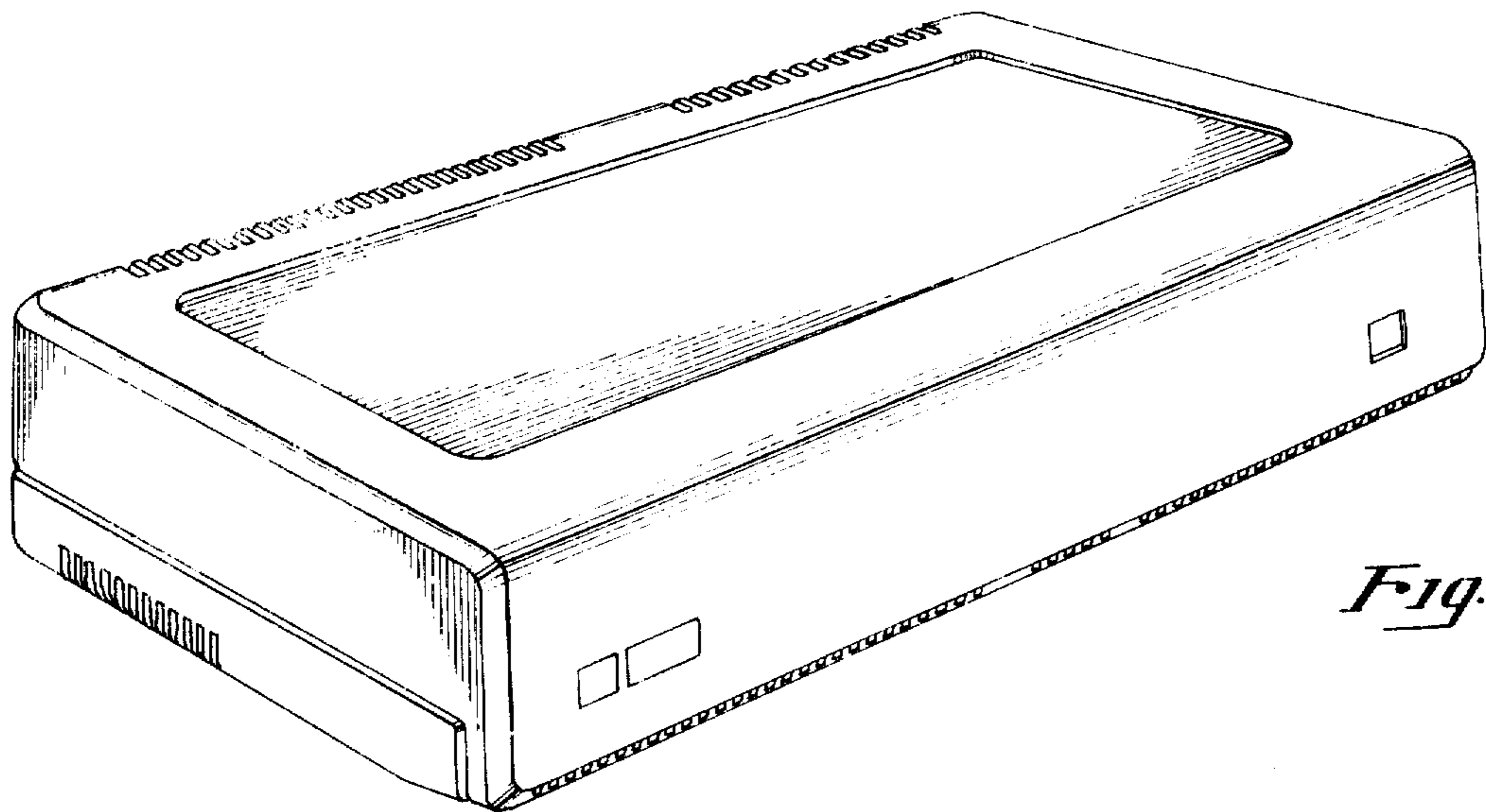


Fig. 1

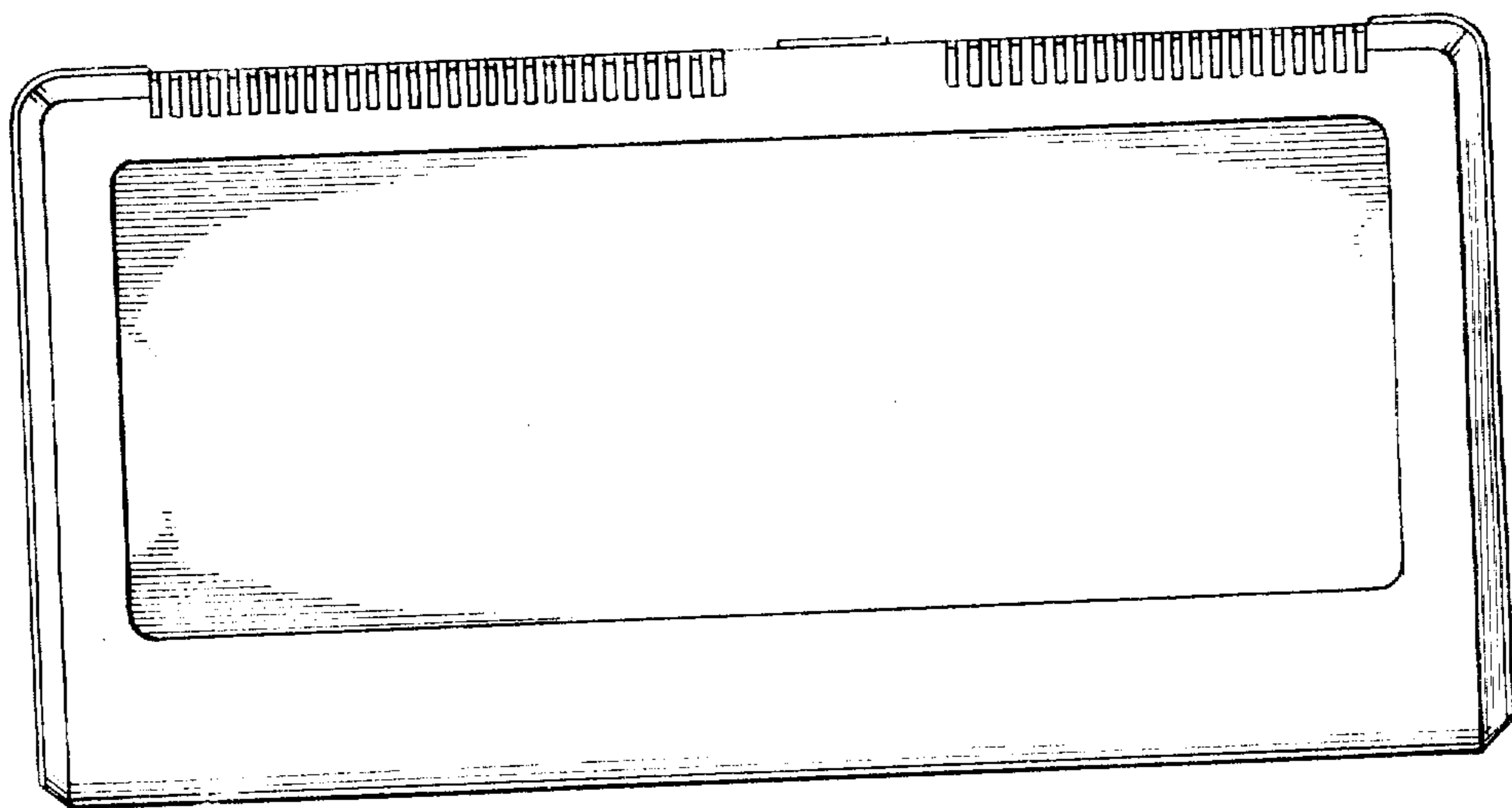


Fig. 2

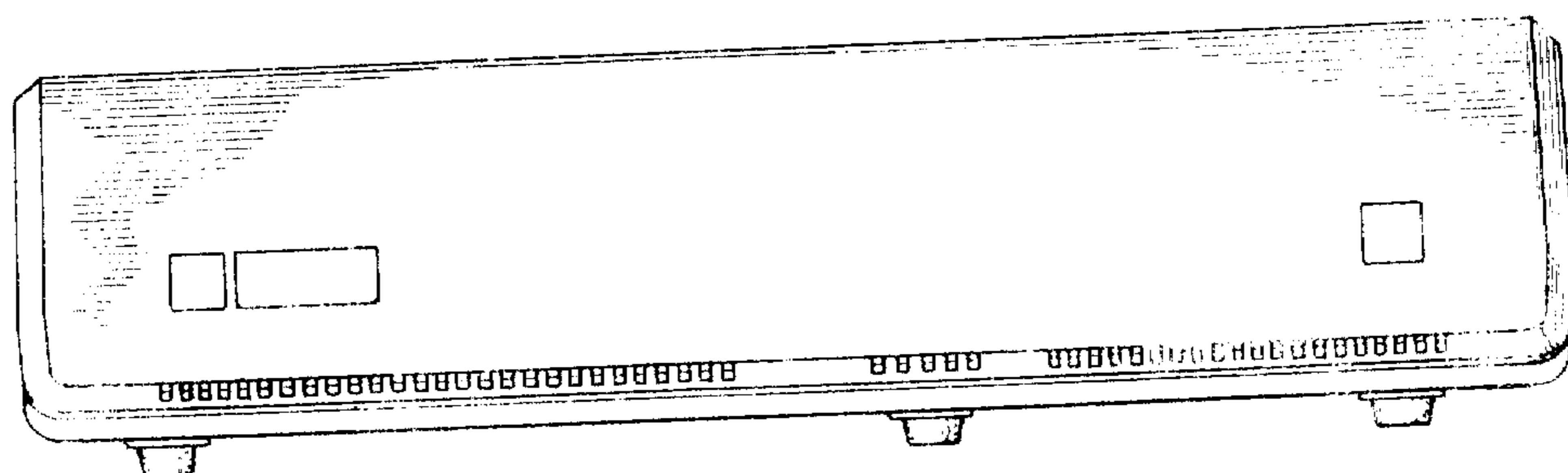


Fig. 3

Fig. 4

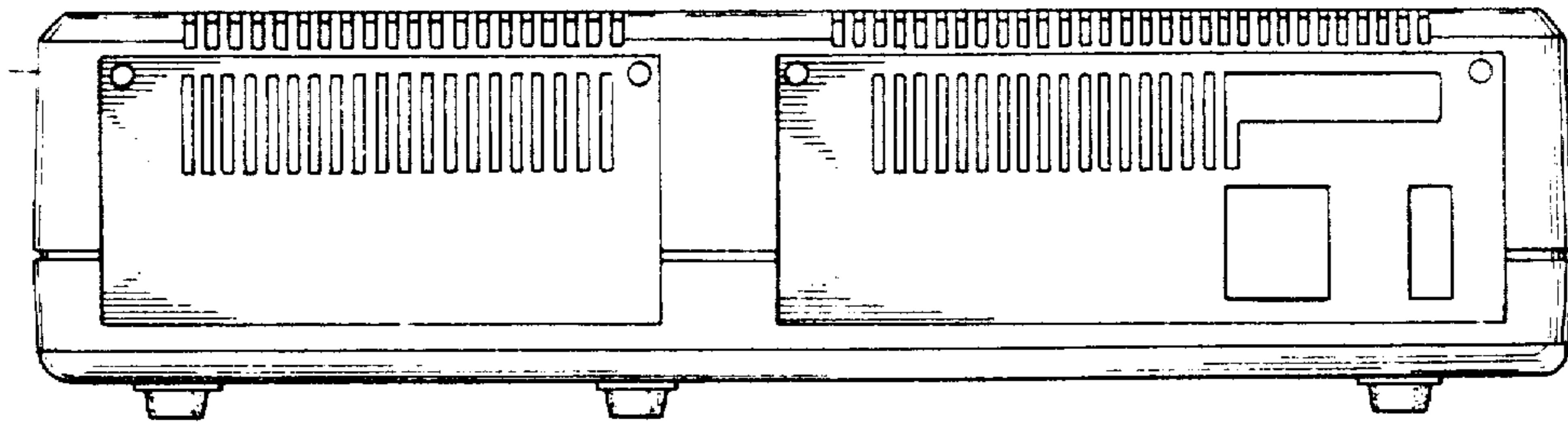


Fig. 5

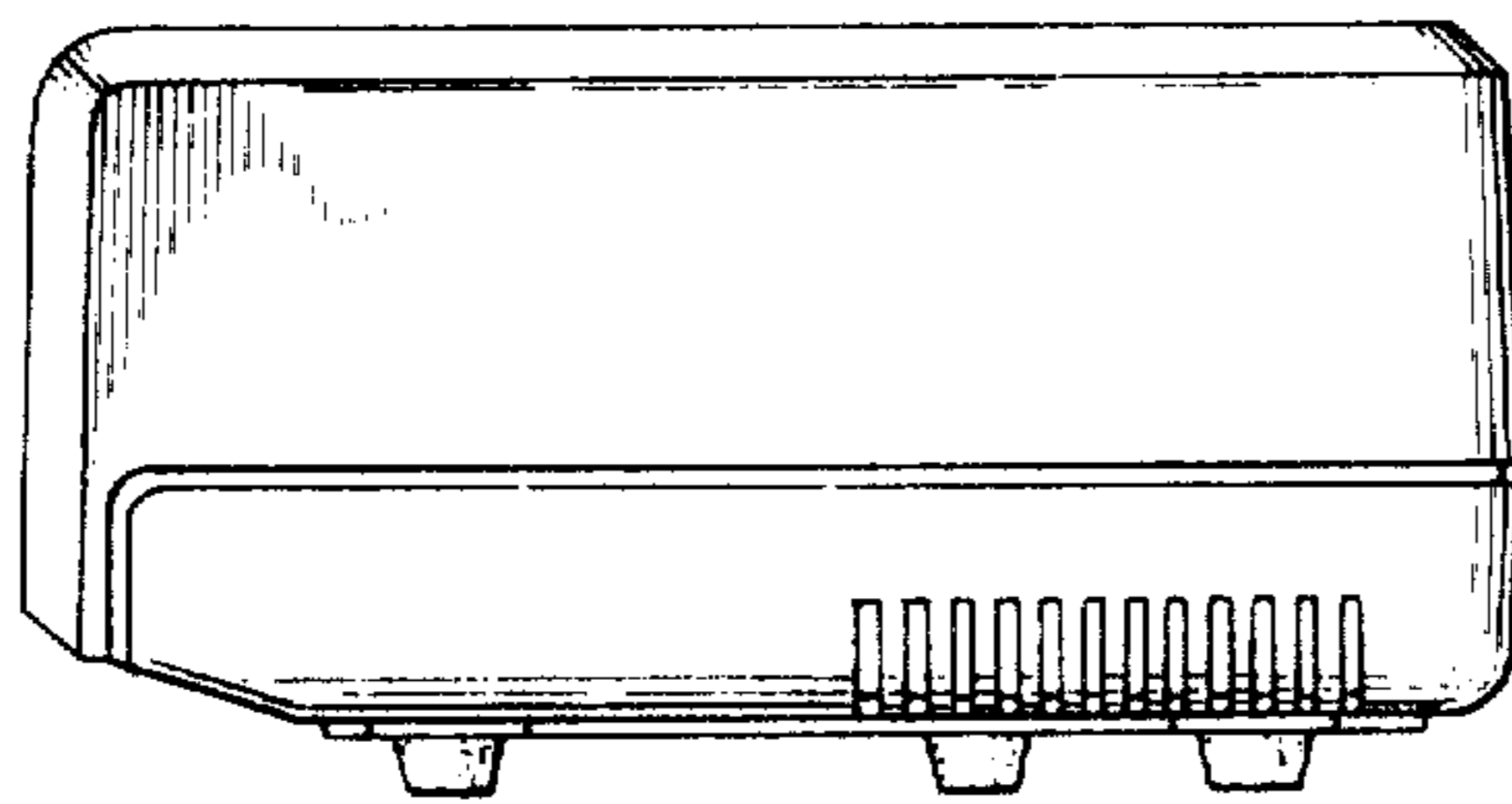


Fig. 6

