

[54] **CONTROL PANEL ASSEMBLY FOR A COMBINATION LOCK AND THE LIKE**

[75] Inventor: **Edward M. Stolarz**, Yorktown Heights, N.Y.

[73] Assignee: **Presto Lock, Inc.**, Garfield, N.J.

[**] Term: **14 Years**

[21] Appl. No.: **479,319**

[22] Filed: **Mar. 28, 1983**

Related U.S. Application Data

[62] Division of Ser. No. 219,957, Dec. 24, 1980.

[52] U.S. Cl. **D8/341**

[58] Field of Search **D8/341; 70/312, 316, 70/315, 318, 74, 304, 305, 306, 288, 287**

[56] **References Cited**

U.S. PATENT DOCUMENTS

- D. 58,808 8/1921 Morgan .
- D. 71,827 1/1927 De Mare .
- D. 137,625 4/1944 Peterson .
- D. 163,396 5/1951 Lerman .
- D. 175,143 7/1955 Arbib et al. .
- D. 176,282 12/1955 Patriquin .
- D. 186,172 9/1959 Seymour .
- 211,808 1/1879 Wadsworth .
- 213,515 3/1879 Marshall .
- D. 217,620 5/1970 Dreyfuss et al. .
- D. 223,620 5/1972 Sicherman .
- D. 223,621 5/1972 Sicherman .
- D. 223,850 6/1972 Sicherman .
- D. 230,564 3/1974 Gehrie **D8/341**
- D. 231,895 6/1974 Stolarz .
- D. 249,457 9/1978 Stolarz .
- 1,465,262 8/1923 Giba .
- 2,540,718 2/1951 Duskin .
- 2,658,272 11/1953 Lillard .
- 2,678,707 5/1954 Finkelstein .
- 2,807,564 9/1957 Mitchell .
- 2,896,351 7/1959 Johnson .

- 2,936,540 5/1960 Power .
- 3,074,133 1/1963 Jones .
- 3,416,338 12/1968 Gehrie **70/288 X**
- 3,921,798 11/1975 Dean et al. .
- 3,949,506 4/1976 Benkowski .
- 4,073,612 2/1978 Nitta .
- 4,123,923 11/1978 Bako .
- 4,128,955 12/1978 Marra et al. .
- 4,190,691 2/1980 Kramer .

Primary Examiner—A. Hugo Word
Attorney, Agent, or Firm—Shapiro and Shapiro

[57] **CLAIM**

The ornamental design for a control panel assemblies for a combination lock and the like, as shown and described.

DESCRIPTION

FIG. 1 is a perspective view of a control panel assembly for a combination lock and the like embodying my design;

FIG. 2 is a top plan view of the control panel assembly of FIG. 1;

FIG. 3 is a front elevational view of the control panel assembly of FIG. 1, the view from the opposite side being the same but reversed;

FIG. 4 is a side elevational view as seen from the left of FIG. 1;

FIG. 5 is a side elevational view as seen from the right of FIG. 1.

The structure shown in phantom lines in the drawings, which may be hidden from view when the control panel assembly is in its intended environment, is merely illustrative of a type of construction which may be employed with the control panel assembly. The structure shown in phantom lines forms no part of the design sought to be patented. The novelty of the design sought to be patented resides in the contrasting nature of the shaded surfaces of the assembly as compared with the remaining surfaces of the assembly, thereby providing the assembly with a distinctive bimetallic appearance. No restriction is intended as to color.

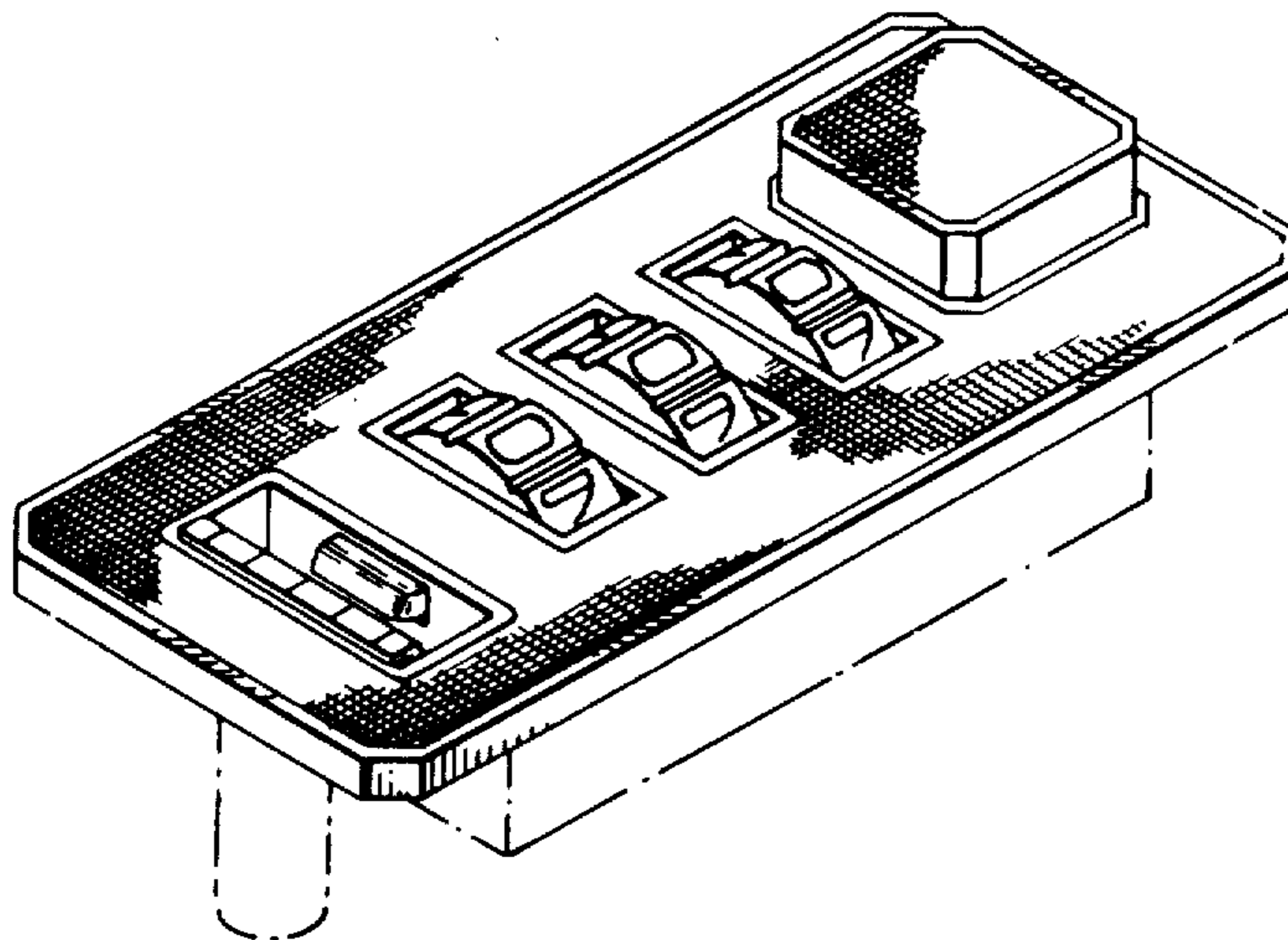


FIG. 1.

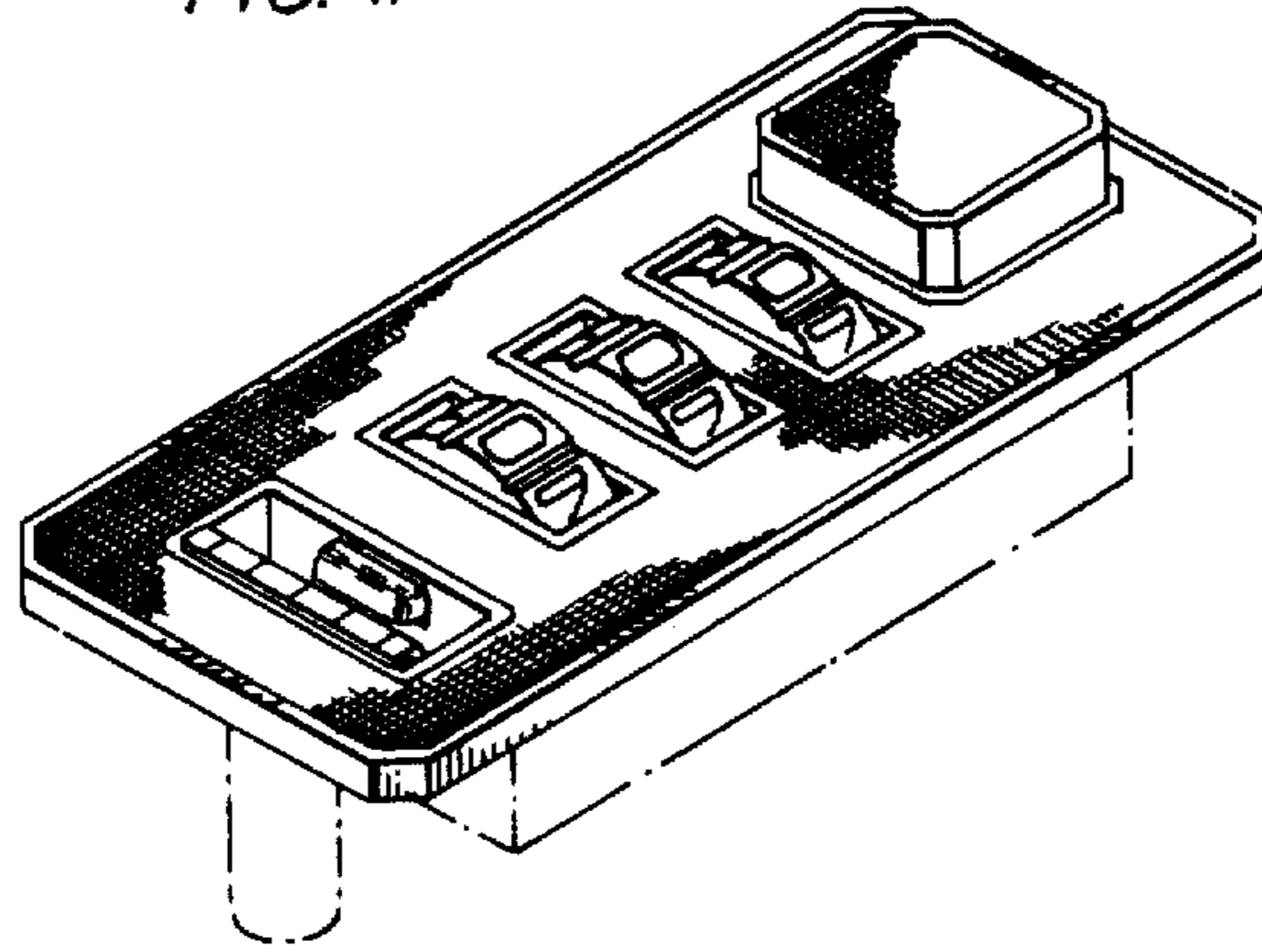


FIG. 2.

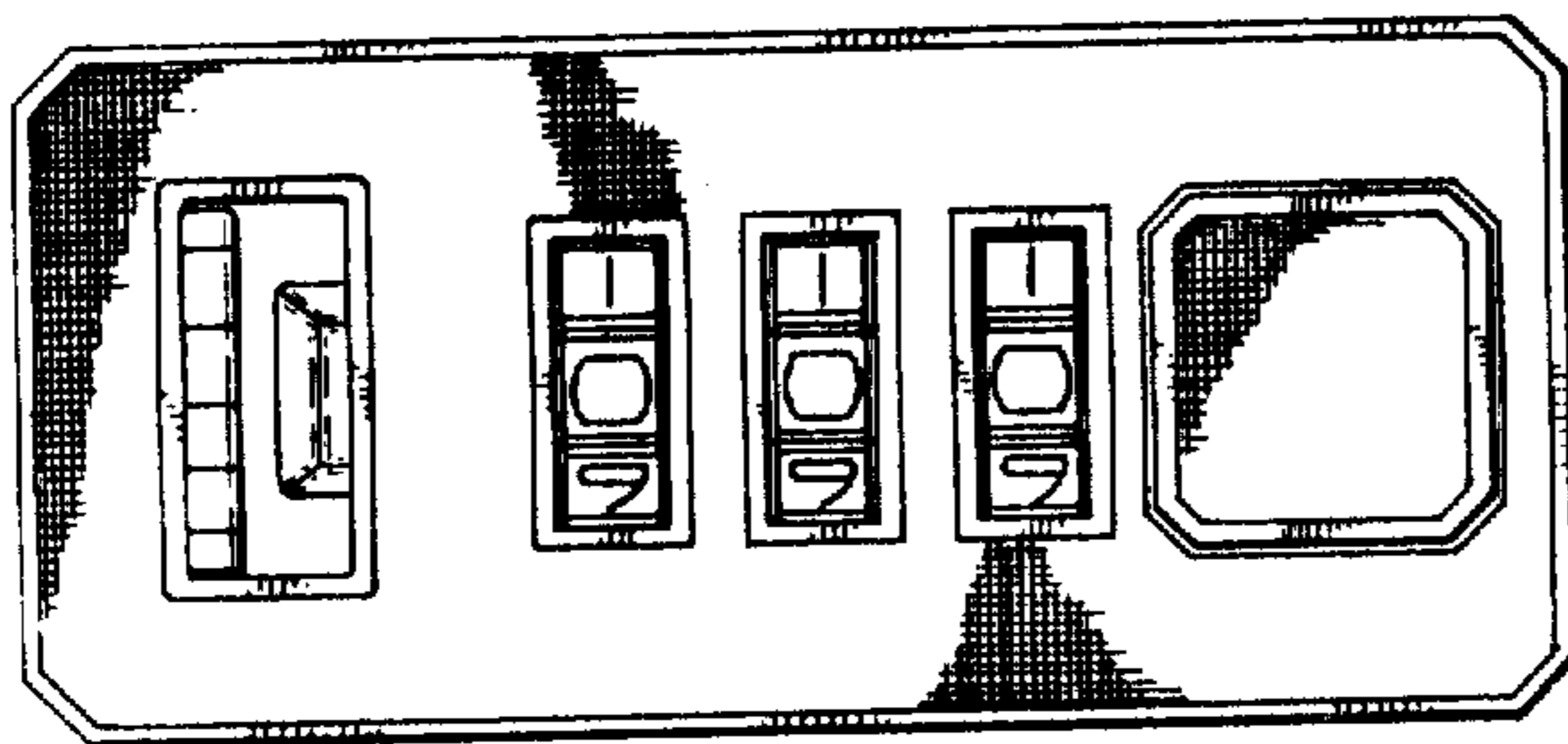


FIG. 3.

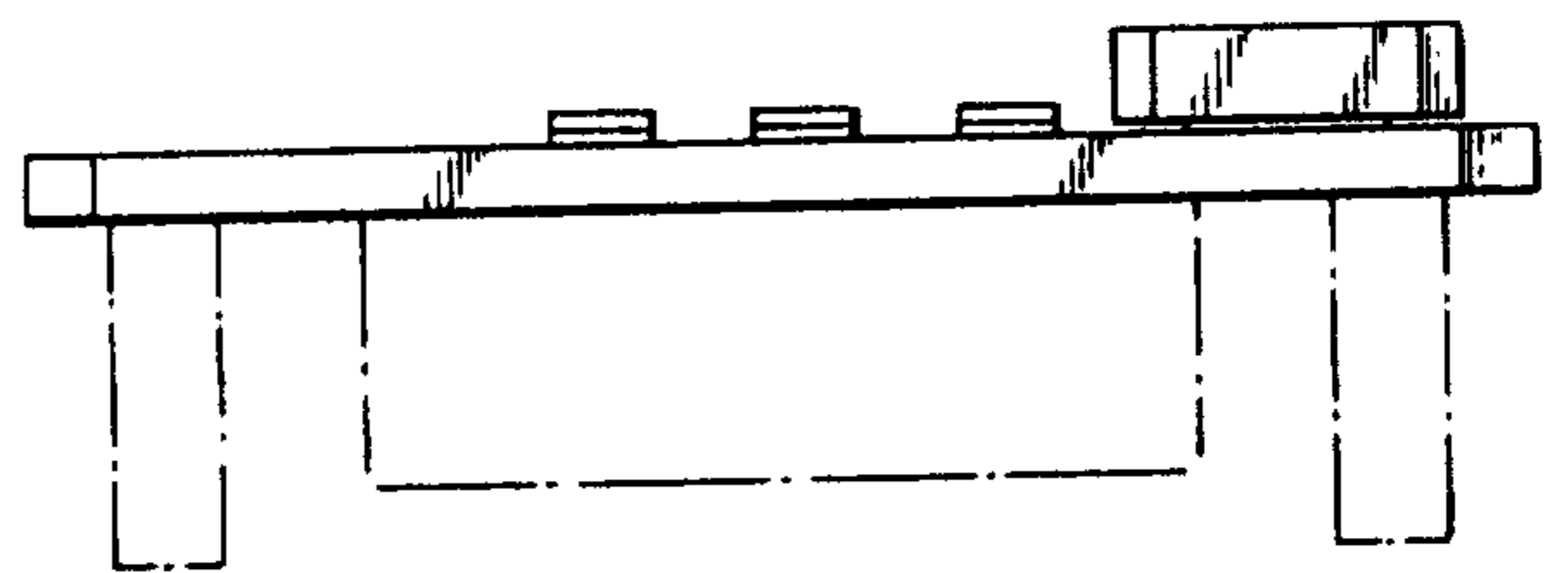


FIG. 4.

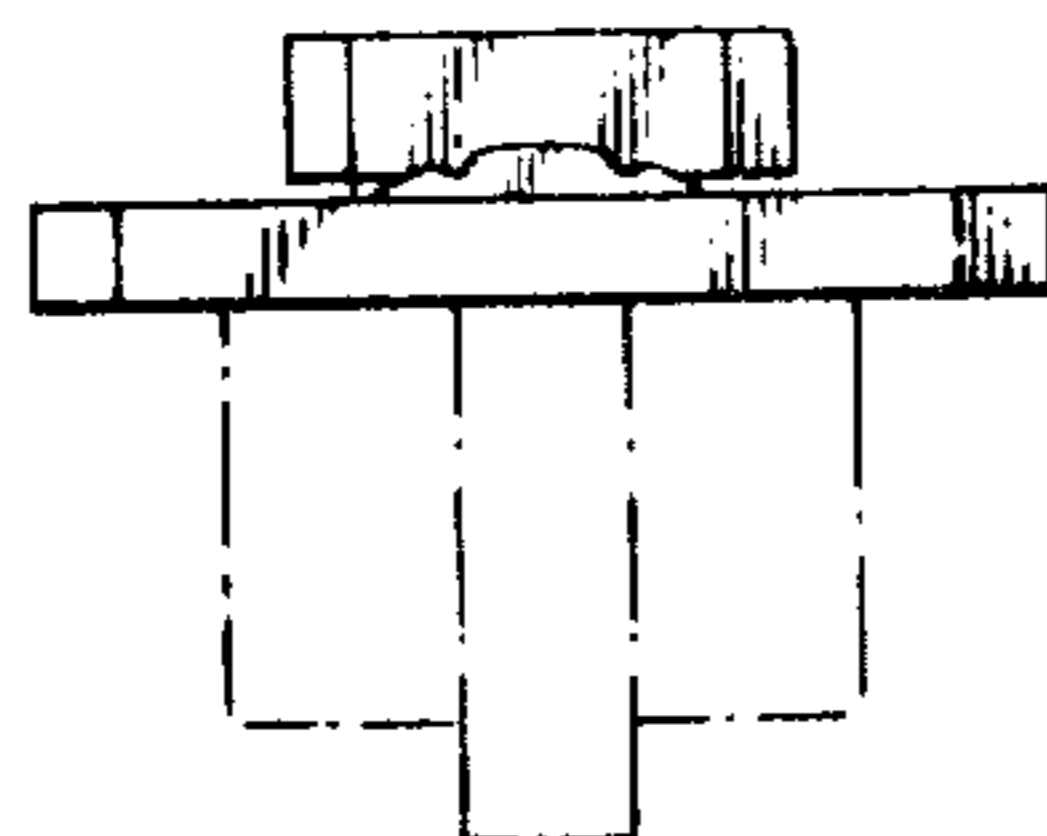


FIG. 5.

