

[54] FEEDER TUBE FOR PLANT INJECTION DEVICE

[75] Inventor: Dale I. Dodds, Pasadena, Calif.

[73] Assignee: J. J. Mauget Co., Burbank, Calif.

[**] Term: 14 Years

[21] Appl. No.: 301,939

[22] Filed: Sep. 14, 1981

[52] U.S. Cl. D8/1

[58] Field of Search D8/1; 47/48.5

[56] References Cited

U.S. PATENT DOCUMENTS

D. 158,596	5/1950	Lack	D8/1
D. 245,061	7/1977	Knapp	D8/1
2,809,468	10/1957	Eliot	47/48.5 X
3,151,415	10/1964	James	47/48.5
3,856,205	12/1974	Rohling	47/48.5 X
4,361,983	12/1982	Wilson	47/48.5

4,381,623 5/1983 Koistinen 47/48.5

FOREIGN PATENT DOCUMENTS

73337 6/1893 Fed. Rep. of Germany 47/48.5

Primary Examiner—Catherine E. Kemper
Attorney, Agent, or Firm—Donald Diamond

[57] CLAIM

The ornamental design for a feeder tube for plant injection device, substantially as shown.

DESCRIPTION

FIG. 1 is a perspective view, taken from the top, rear and left side of a feeder tube for plant injection device, showing my new design;

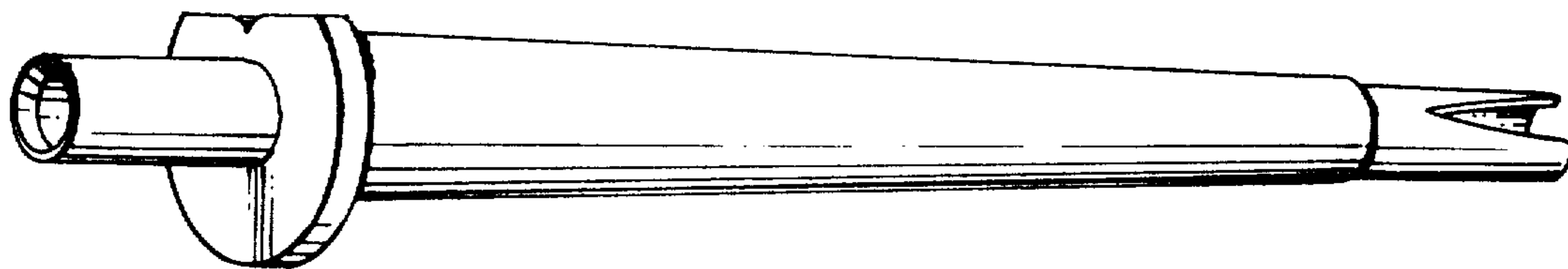
FIG. 2 is a right side elevational view thereof;

FIG. 3 is a front elevational view thereof;

FIG. 4 is a rear elevational view thereof;

FIG. 5 is a partial, side elevational view taken along line 5—5 of FIG. 3; and

FIG. 6 is a top plan view thereof.



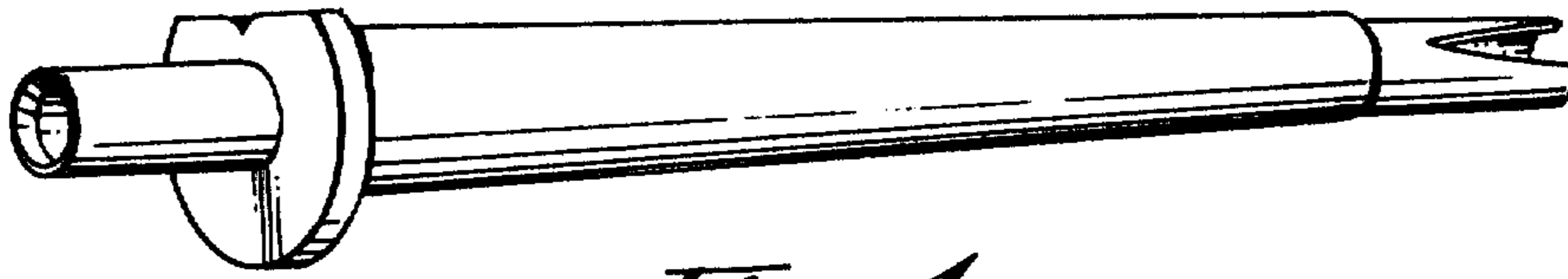


Fig. 1

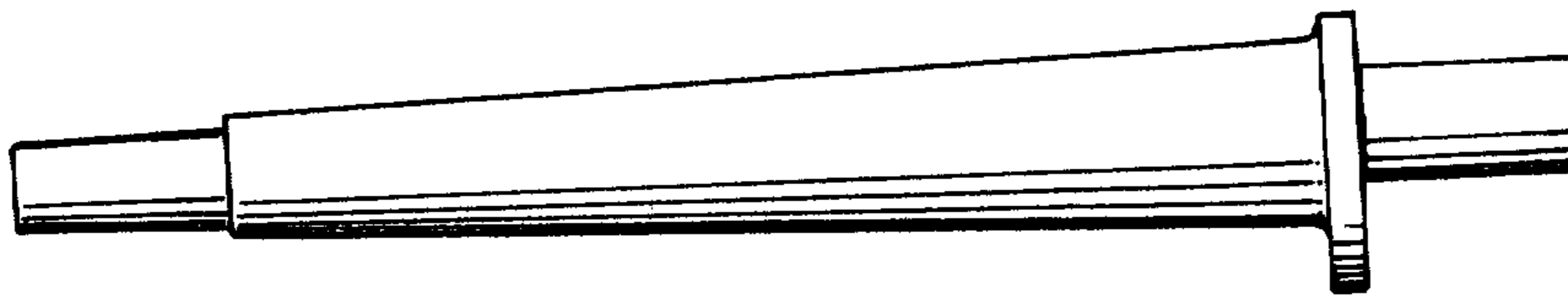


Fig. 2

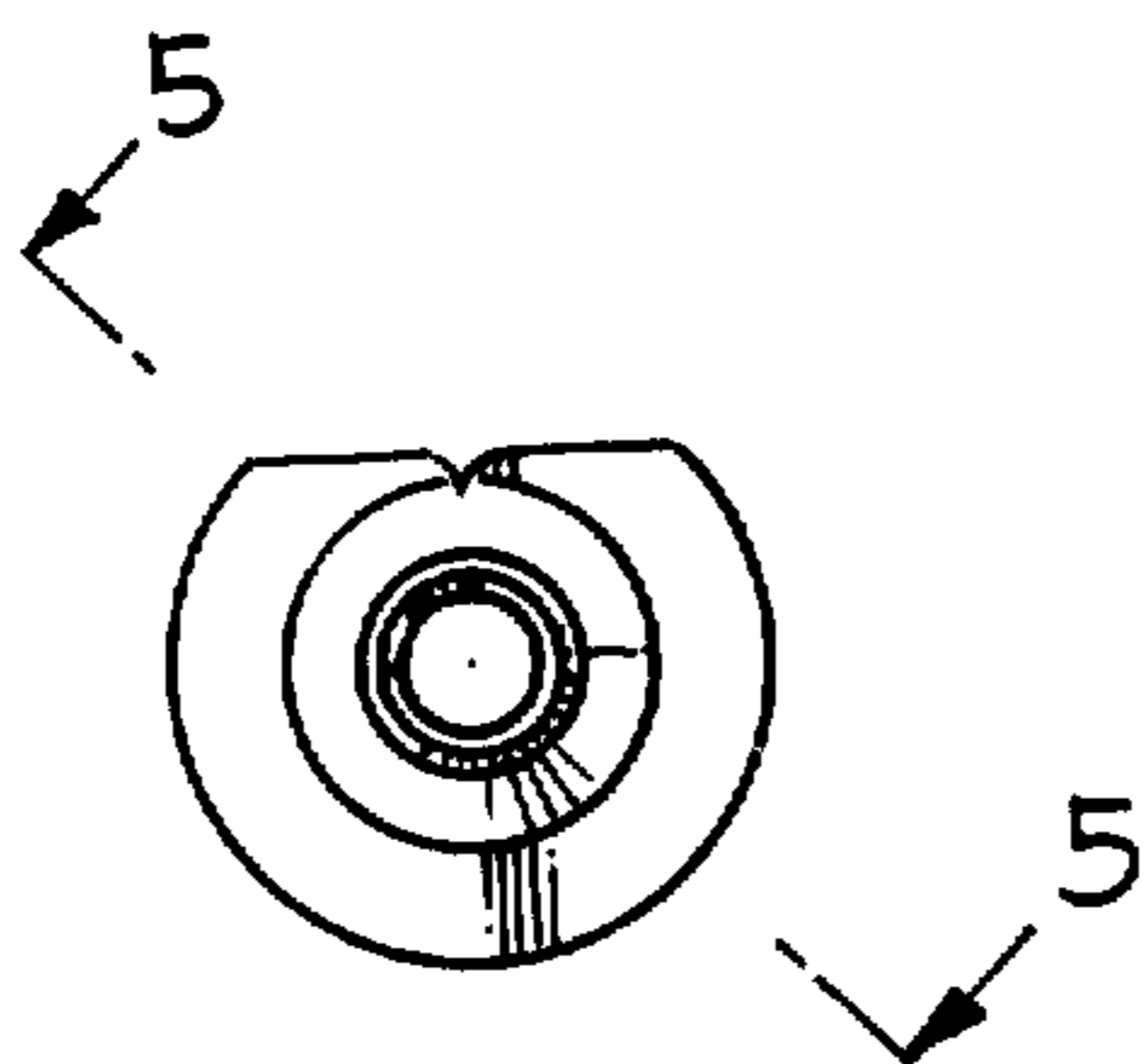


Fig. 3

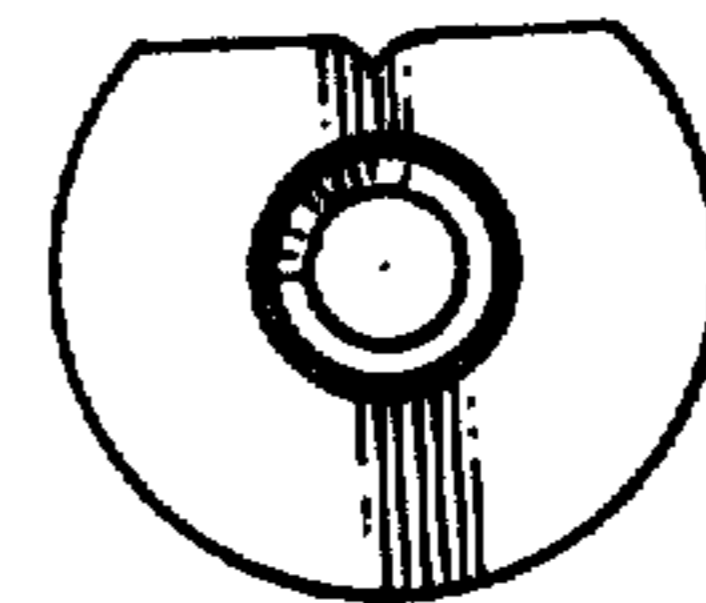


Fig. 4



Fig. 5

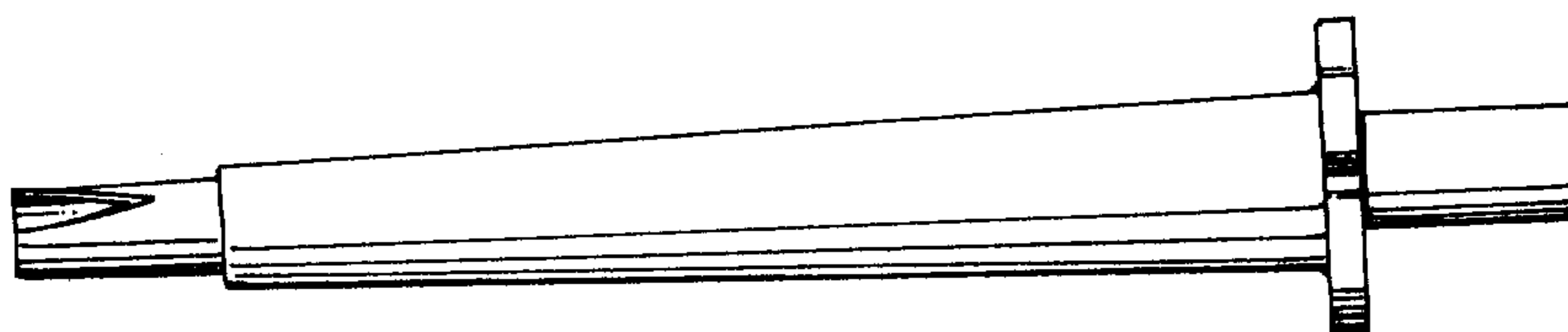


Fig. 6