

[54] **FRAME FOR A SHEET DISPLAY STAND**
[76] **Inventor:** Cory Marcus, 455 Powell St., San Francisco, Calif. 94102
[**] **Term:** 14 Years
[21] **Appl. No.:** 289,273
[22] **Filed:** Aug. 3, 1981
[52] **U.S. Cl.** D6/85; D6/191
[58] **Field of Search** D6/85, 181, 180, 191; D34/17, 21, 22; 280/47, 35, 79.1 A, 79.3; 248/176; 211/45, 47, 181, 169, 40

[56] **References Cited**

U.S. PATENT DOCUMENTS

3,094,216	6/1963	Gordon	211/45
3,176,848	4/1965	Stefan	211/181 X
3,335,871	8/1967	Crisman	D6/85 X
3,777,896	12/1973	Ehrulich	211/47 X
4,326,726	4/1982	Dunchock	248/176 X

FOREIGN PATENT DOCUMENTS

1237818 6/1960 France 280/79.3

OTHER PUBLICATIONS

Rubbermaid Specialty Products, ©1978, p. 9, Display Rack #0871, bottom of page.

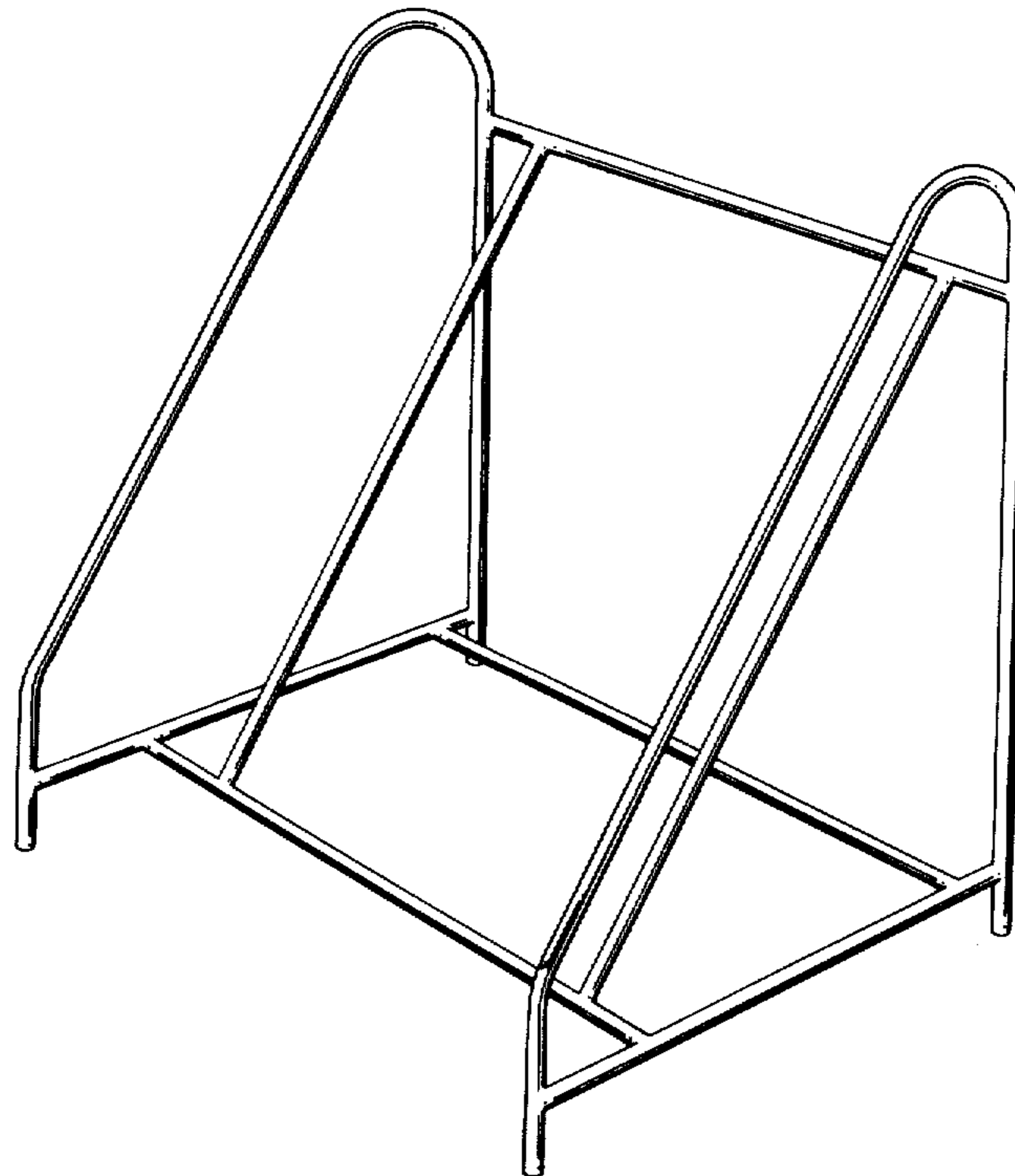
Primary Examiner—Charles A. Rademaker
Assistant Examiner—Carmen H. Vales
Attorney, Agent, or Firm—Newhouse & Associates

[57] **CLAIM**

The ornamental design for a frame for a sheet display stand, substantially as shown and described.

DESCRIPTION

FIG. 1 is a perspective of a frame for a sheet display stand showing my new design; FIG. 2 is a left side elevational view thereof; and FIG. 3 is a rear elevational view thereof.



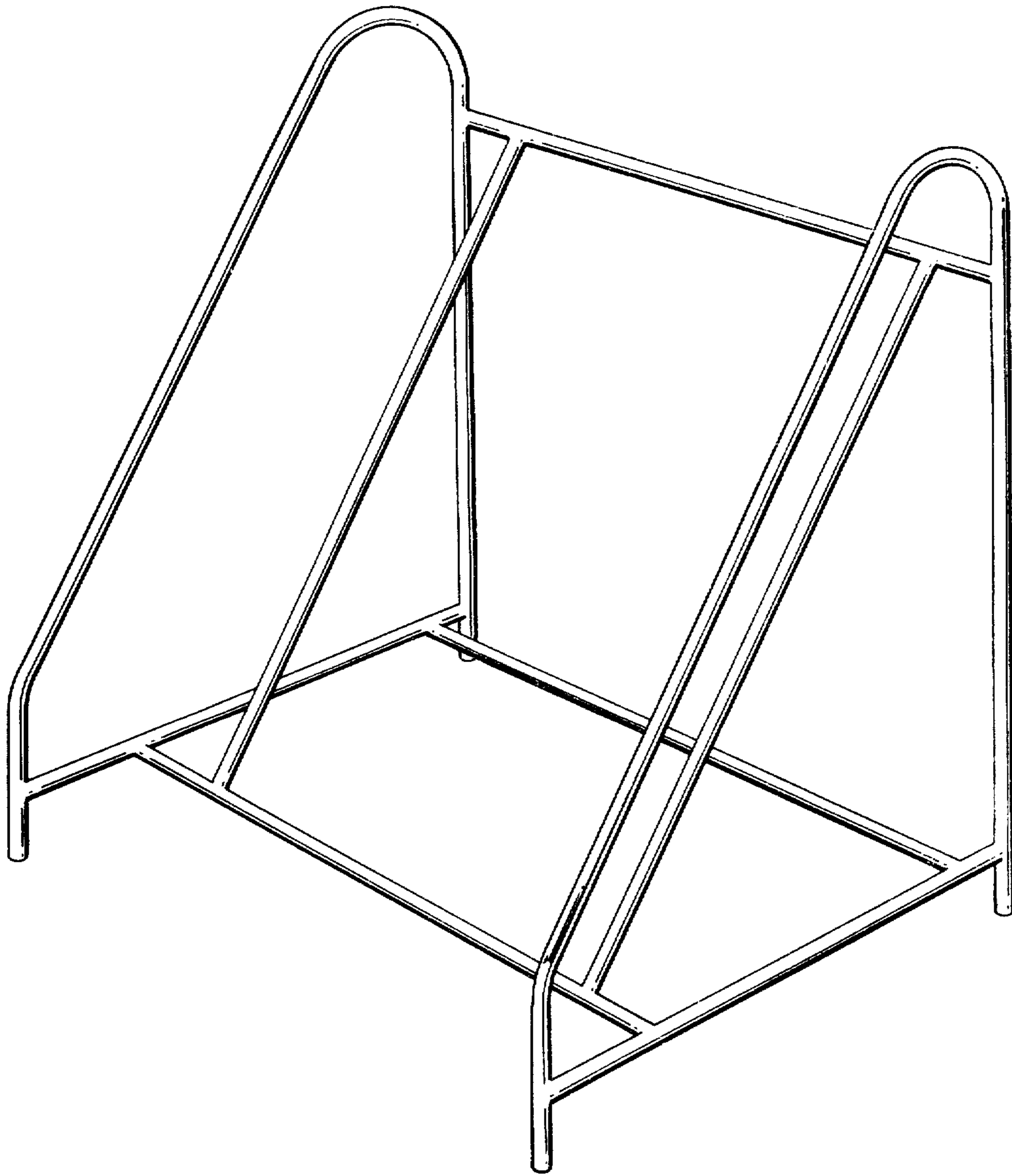


FIGURE 1

FIGURE 2

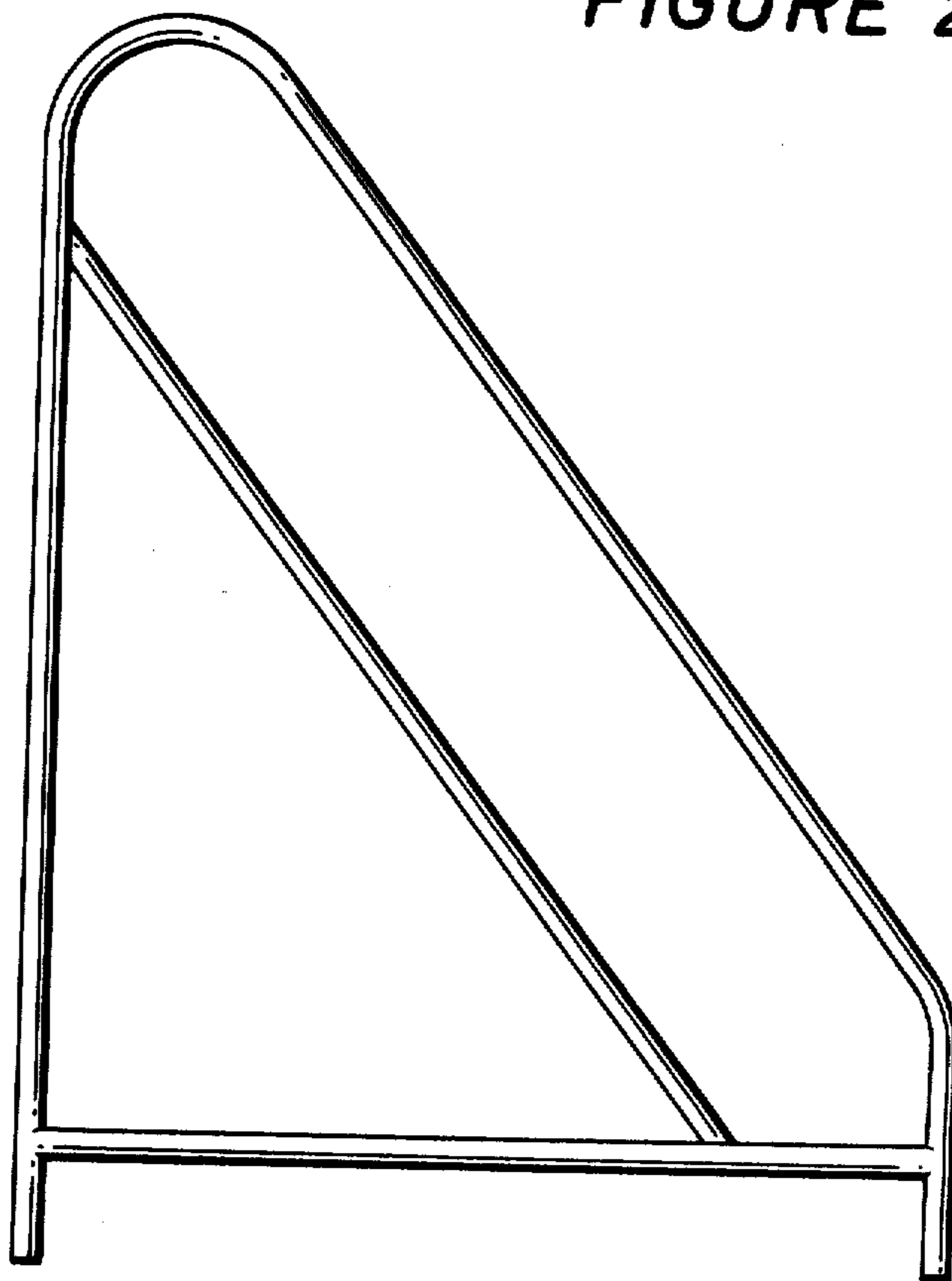


FIGURE 3

