

[54] SHEET DISPLAY STAND

[76] Inventor: Cory Marcus, 455 Powell St., San Francisco, Calif. 94102

[**] Term: 14 Years

[21] Appl. No.: 289,272

[22] Filed: Aug. 3, 1981

[52] U.S. Cl. D6/85; D6/186; D34/22

[58] Field of Search D6/85, 181, 186, 191, D6/180; D34/17, 21, 22; 211/45, 47, 40, 181, 169; 248/176; 280/47.35, 79.1 A, 79.3

[56] References Cited

U.S. PATENT DOCUMENTS

3,176,848	4/1965	Stefan	211/181 X
3,335,871	8/1967	Crisman	D6/85 X
3,777,896	12/1973	Ehrlich	211/47 X
3,904,216	6/1963	Gordon	211/45

4,326,726 4/1982 Dunchock 248/176 X

FOREIGN PATENT DOCUMENTS

1237818 6/1960 France 280/79.3

OTHER PUBLICATIONS

Rubbermaid Specialty Products ©1978, p. 9; Display rack #0871 bottom of page.

Primary Examiner—Charles A. Rademaker

Assistant Examiner—Carmen H. Vales

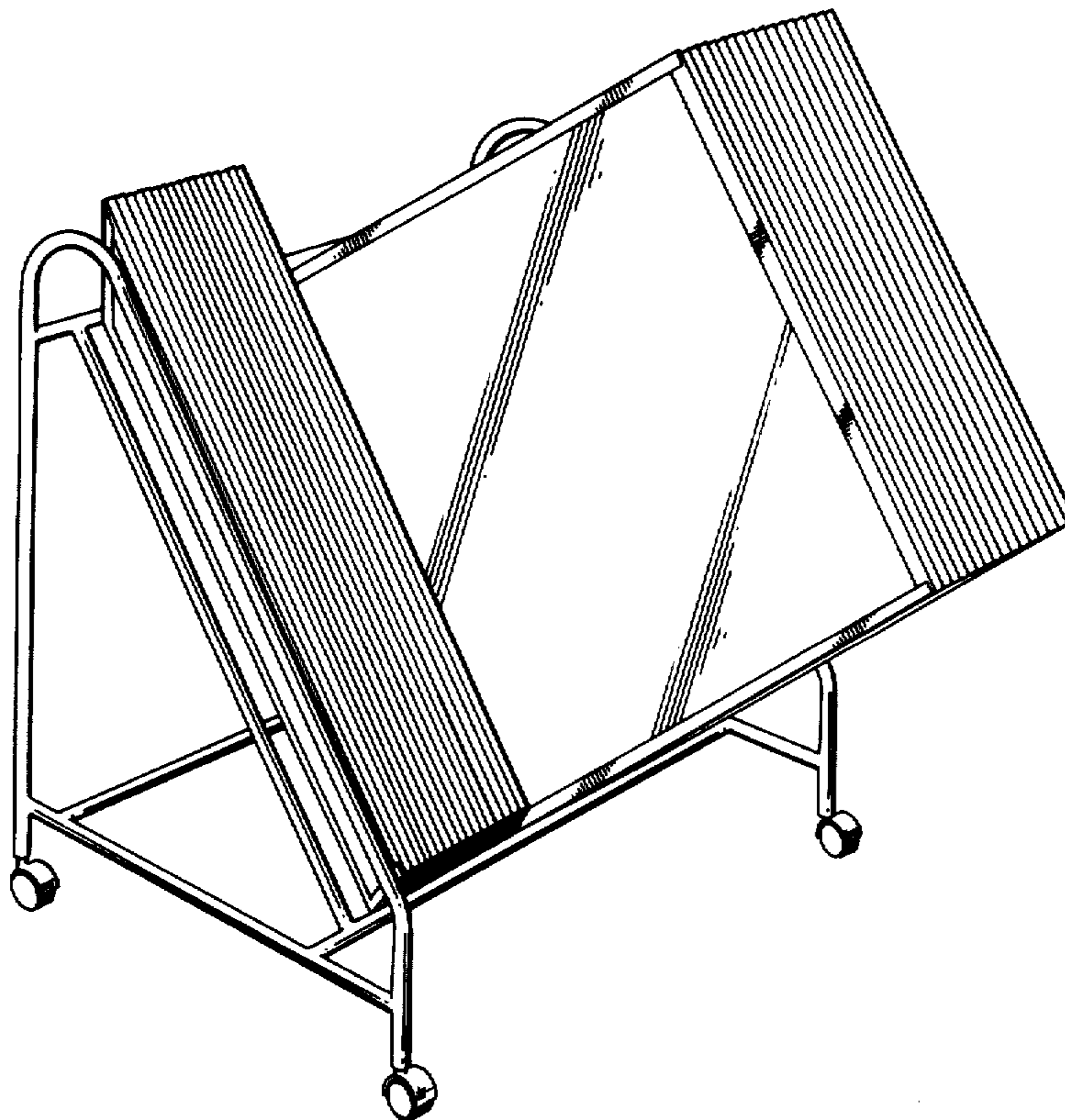
Attorney, Agent, or Firm—Newhouse & Associates

[57] CLAIM

The ornamental design for a sheet display stand, substantially as shown and described.

DESCRIPTION

FIG. 1 is a perspective view of a sheet display stand showing my new design; FIG. 2 is a right side elevational view thereof; and FIG. 3 is a rear elevational view thereof.



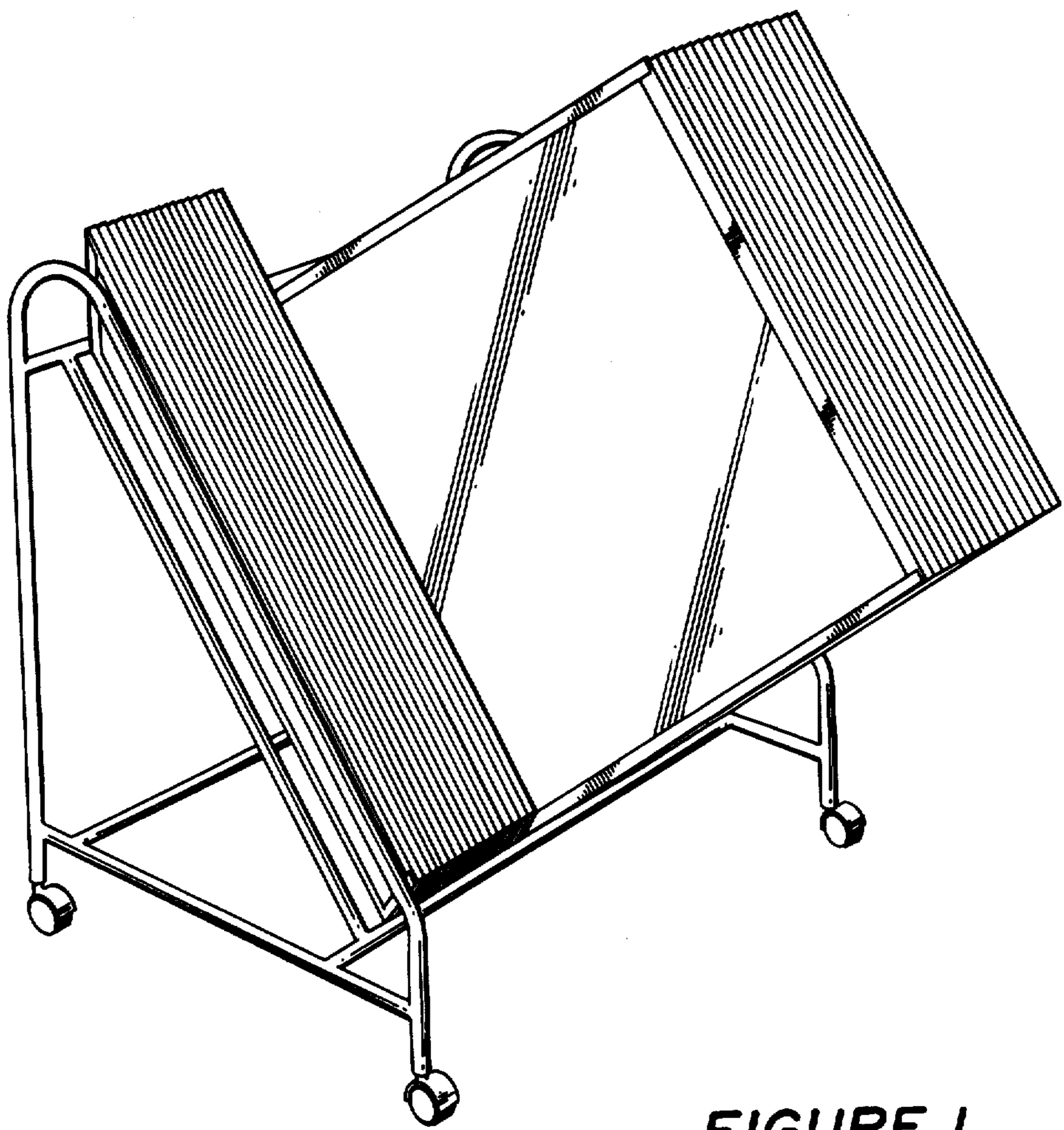


FIGURE 1

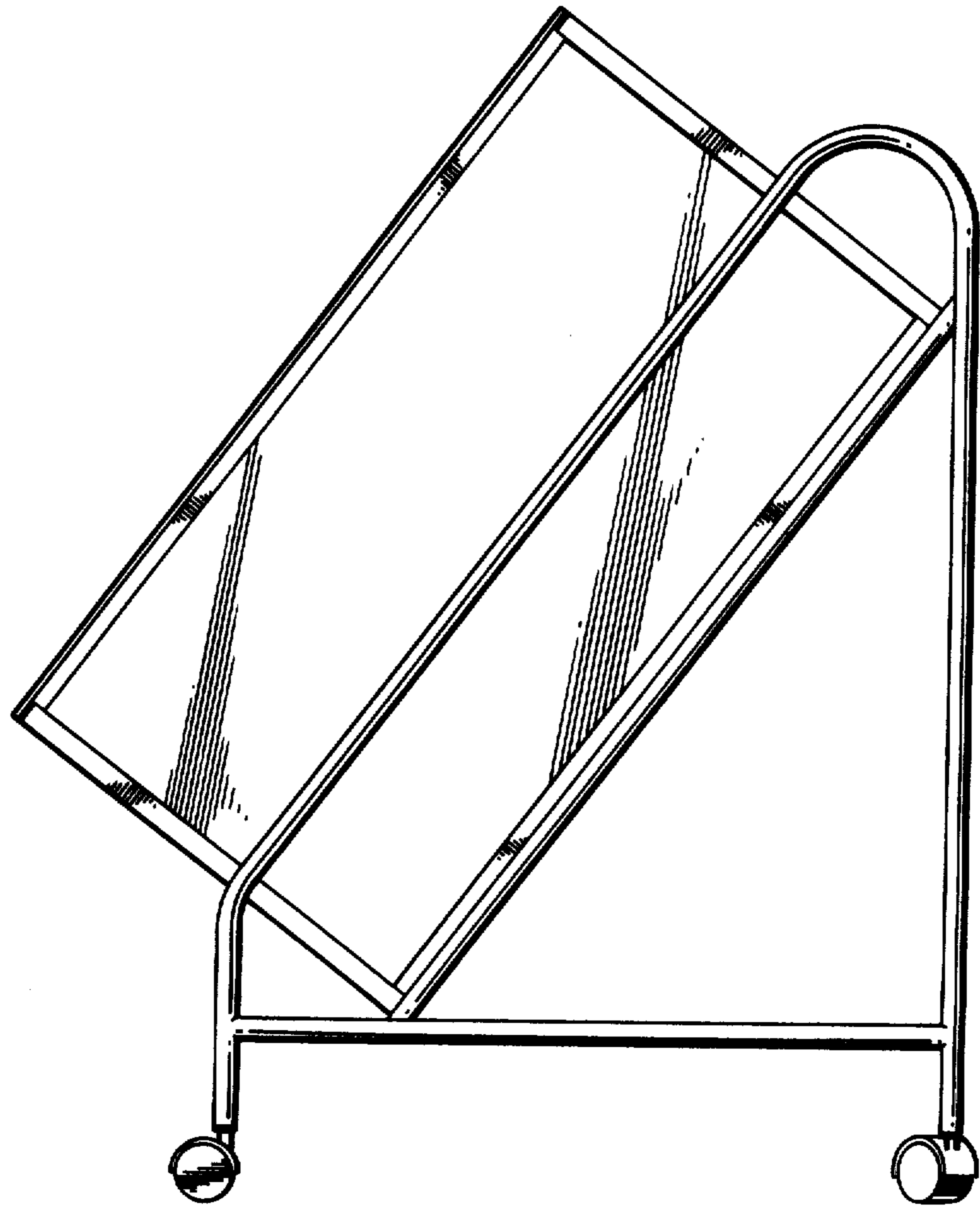


FIGURE 2

FIGURE 3

