

[54] CLOSED CURVED SOFA

[75] Inventors: Barbara Dubbin; Jackie Caputo, both of Miami, Fla.

[73] Assignee: Casa Bella Imports, Inc., Miami, Fla.

[**] Term: 14 Years

[21] Appl. No.: 338,127

[22] Filed: Jan. 8, 1982

[52] U.S. Cl. D6/61

[58] Field of Search D6/37-39, D6/47-78

D. 267,756 2/1983 Krabeepetcharat D6/47

OTHER PUBLICATIONS

Interiors, Mar. 1978, p. 23, Sofa.

Primary Examiner—Bruce W. Dunkins
Attorney, Agent, or Firm—Amster, Rothstein & Engelberg

CLAIM

[57] The ornamental design for a closed curved sofa, substantially as shown and described.

DESCRIPTION

FIG. 1 is a plan view of our new design; FIG. 2 is a front elevational view thereof; FIG. 3 is a side elevational view thereof; FIG. 4 is a rear elevational view thereof; and FIG. 5 is a perspective view thereof, showing the side opposite FIG. 3.

References Cited

U.S. PATENT DOCUMENTS

- D. 150,721 8/1948 Modarelli D6/61
- D. 162,426 3/1951 Michelson D6/59
- D. 255,624 7/1980 Mosca D6/63 X

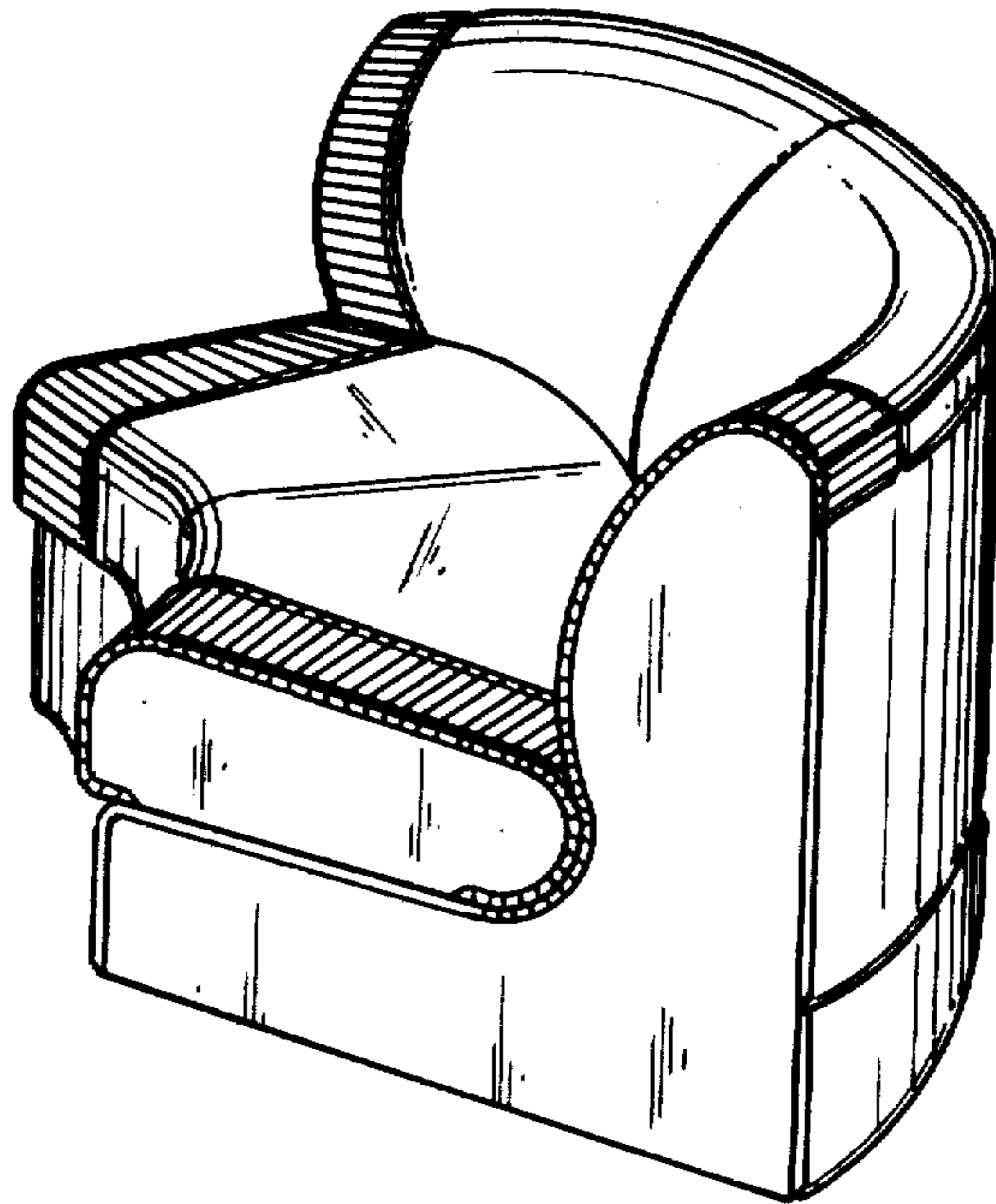


FIG. 1.

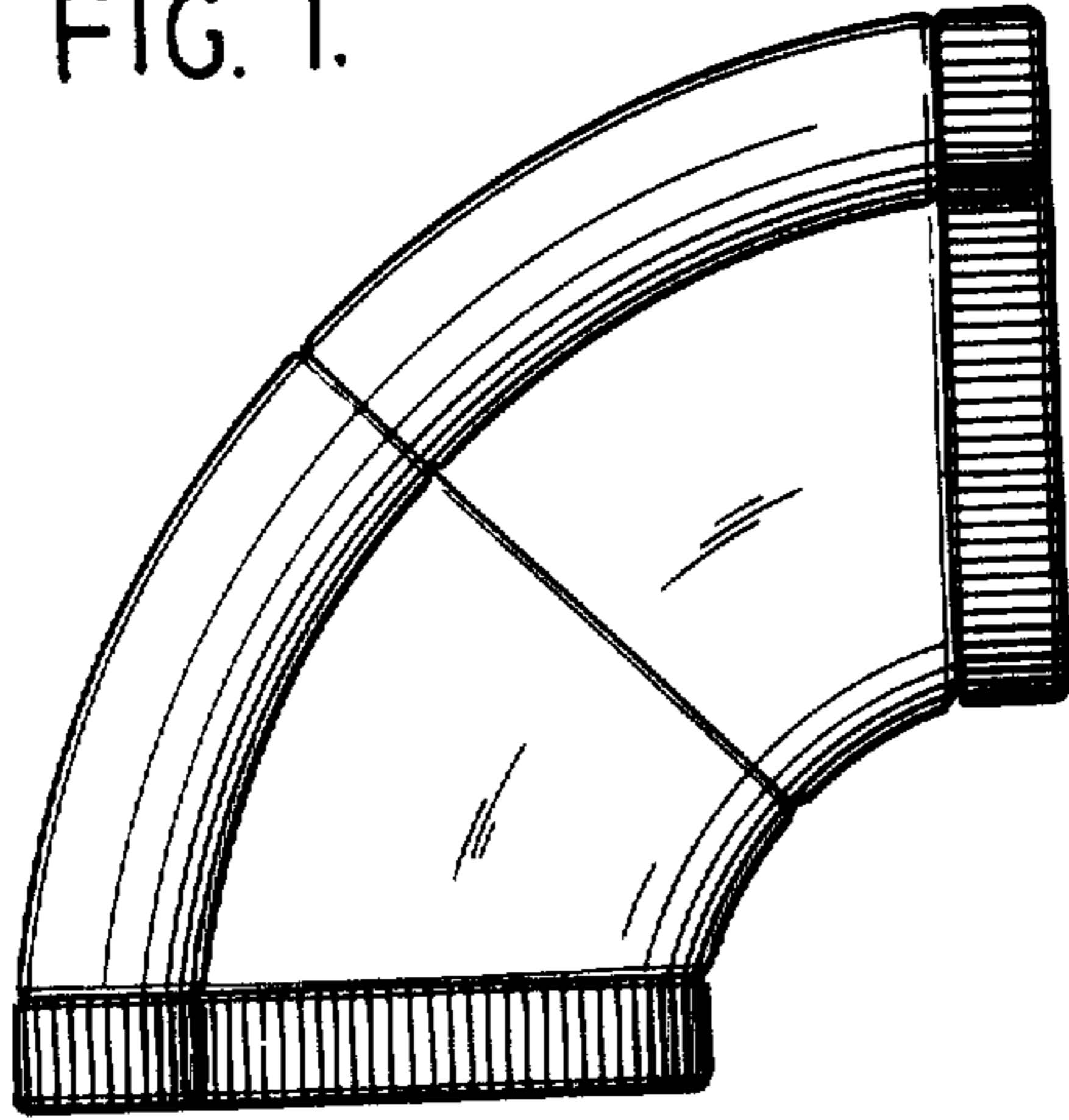


FIG. 2.

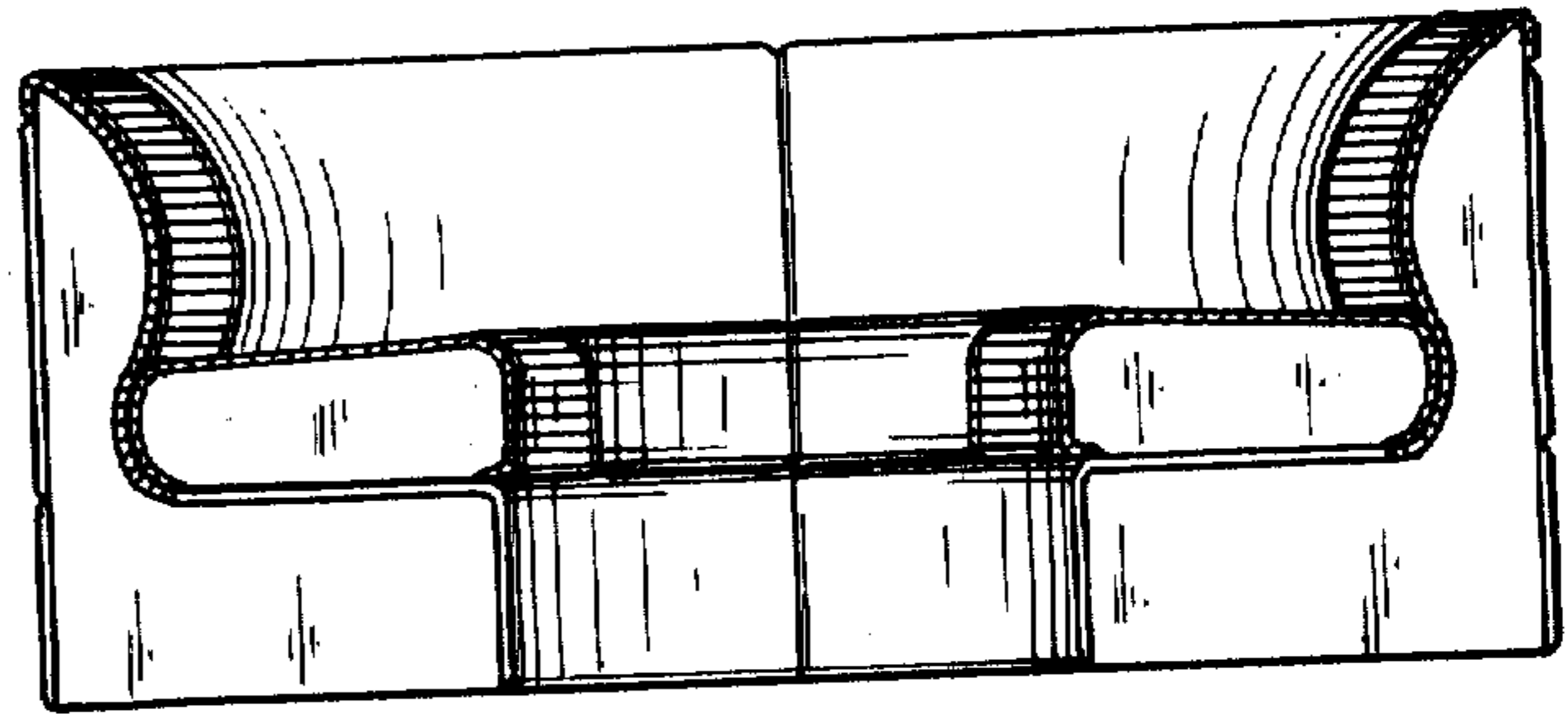


FIG. 3.

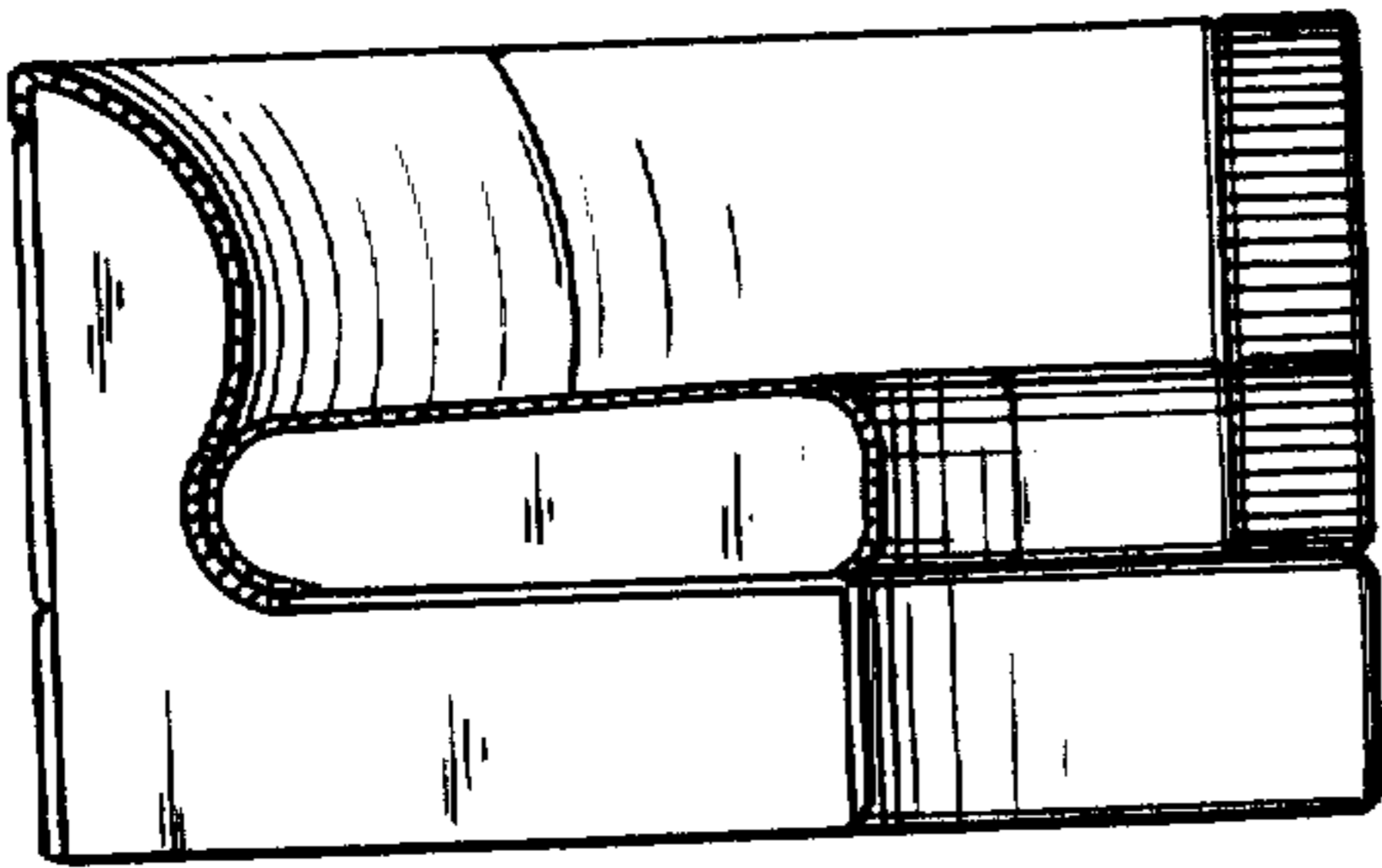


FIG. 4.

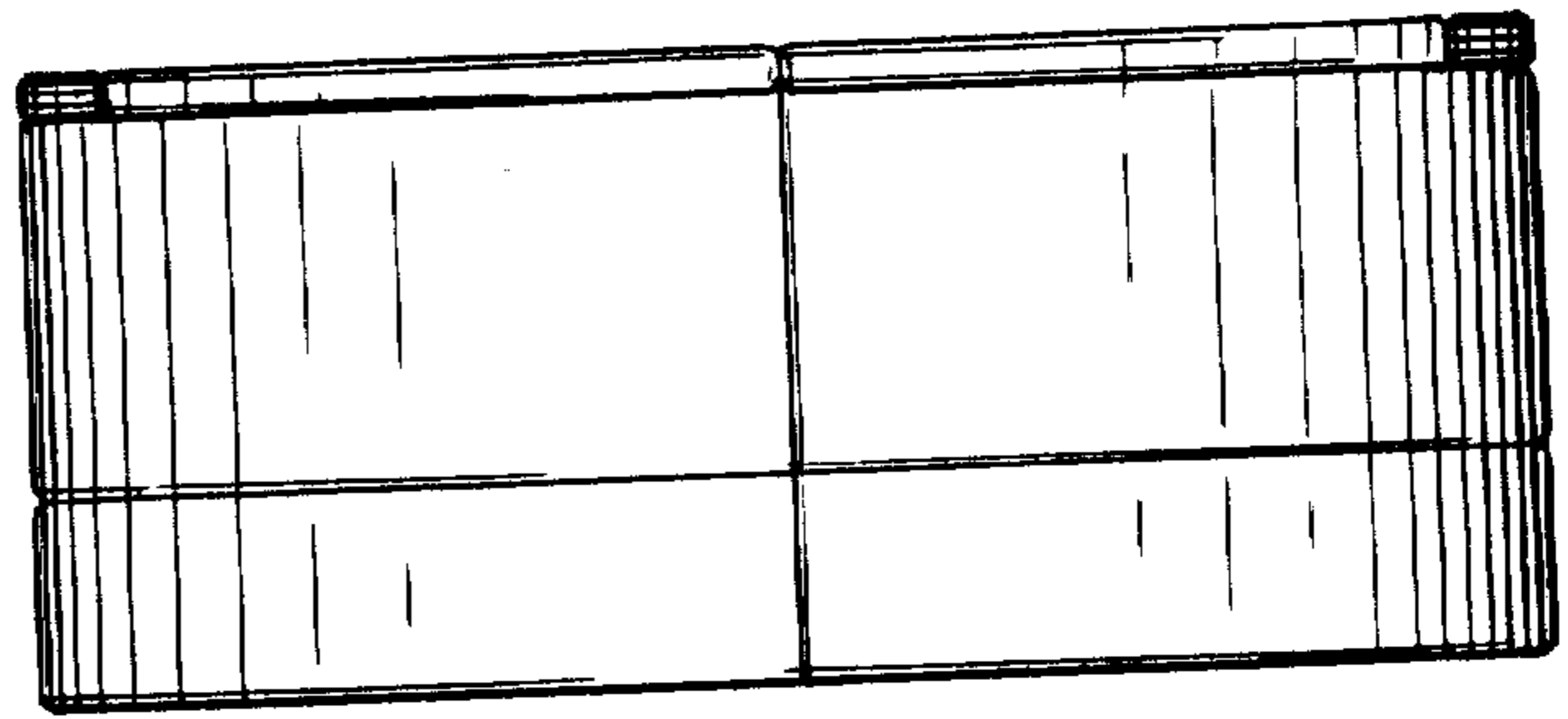


FIG. 5.

