

[54] **FOOTSTOOL**

[75] **Inventor:** Morley Markson, Toronto, Canada

[73] **Assignee:** Yorkvest Limited, Toronto, Canada

[**] **Term:** 14 Years

[21] **Appl. No.:** 363,312

[22] **Filed:** Mar. 29, 1982

[30] **Foreign Application Priority Data**

Oct. 30, 1981 [CA] Canada 30-10-81-3

[52] **U.S. Cl.** D6/32; D6/36;
D6/178

[58] **Field of Search** 182/151, 155; 108/34,
108/36; D6/32-36, 178

[56]

References Cited

U.S. PATENT DOCUMENTS

D. 206,379 12/1966 Good D6/32
D. 264,644 6/1982 Baker D6/32
D. 265,026 6/1982 Macho et al. D6/32
3,976,163 8/1976 Watkinson 182/151 X

Primary Examiner—A. Hugo Word

Attorney, Agent, or Firm—Rogers, Bereskin & Parr

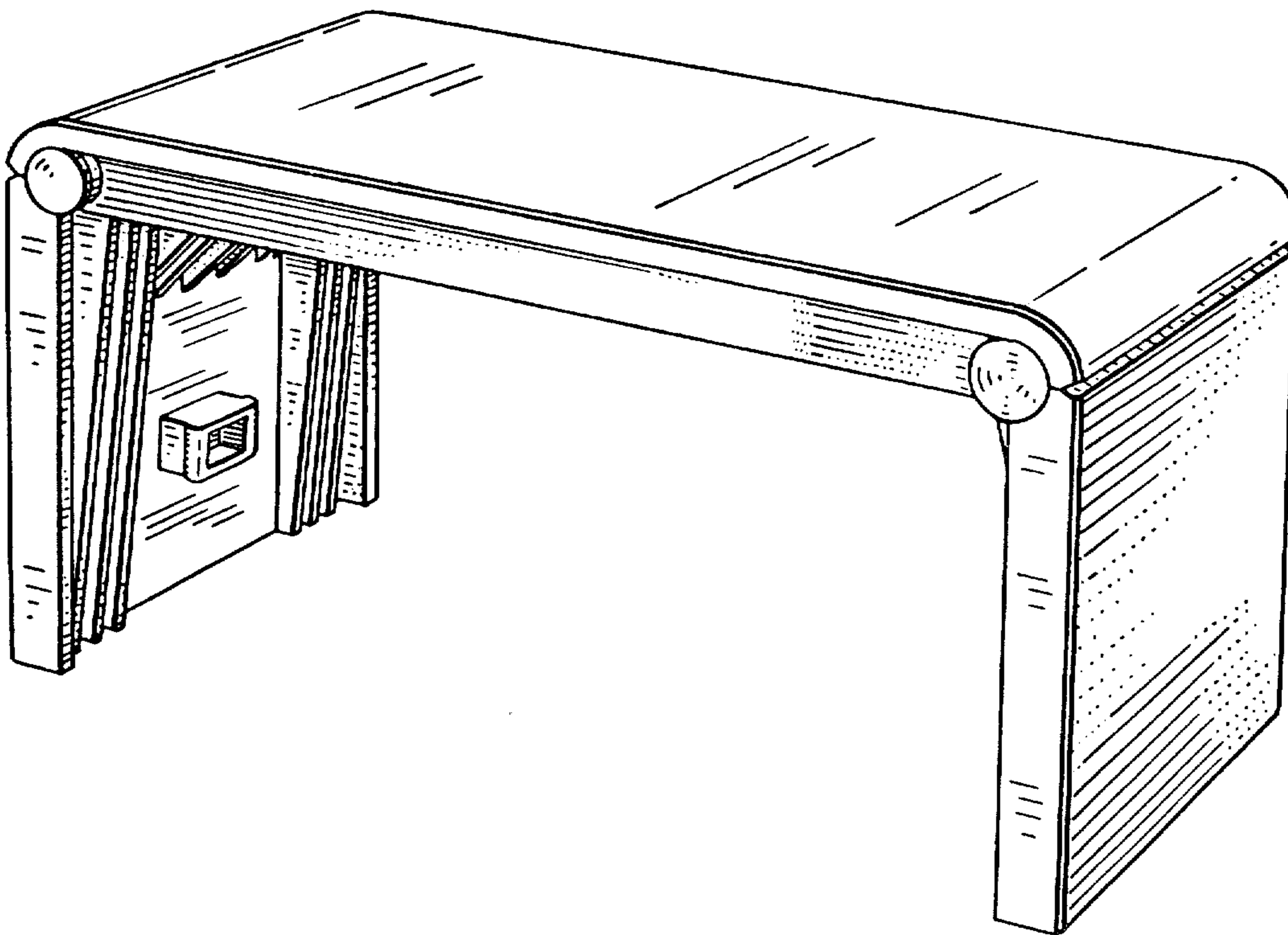
[57]

CLAIM

The ornamental design for a footstool, as shown.

DESCRIPTION

FIG. 1 is a perspective view from above and one side and one end of a footstool showing my new design; and, FIG. 2 is a perspective view from below and from the opposite side corresponding to FIG. 1.



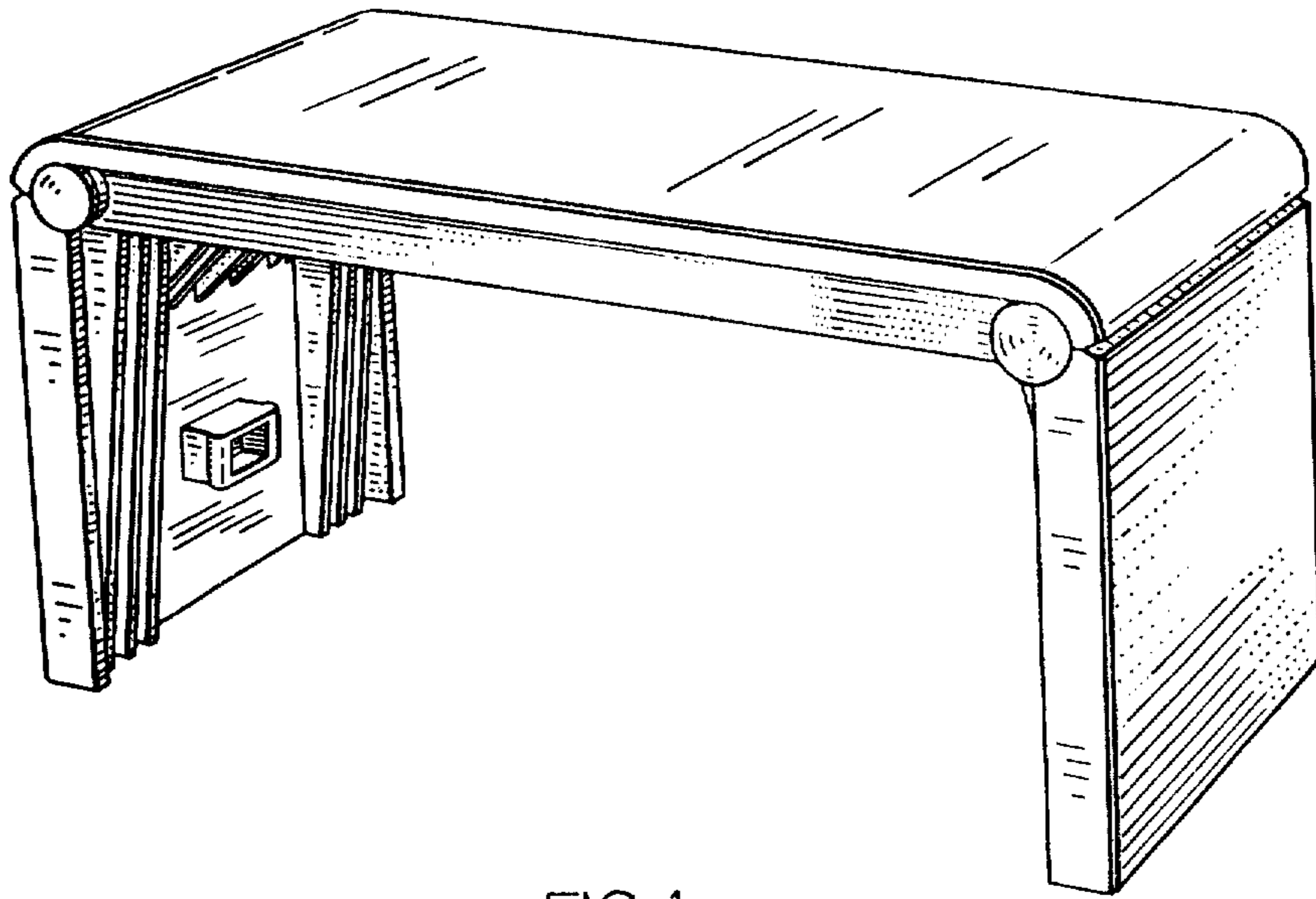


FIG. 1

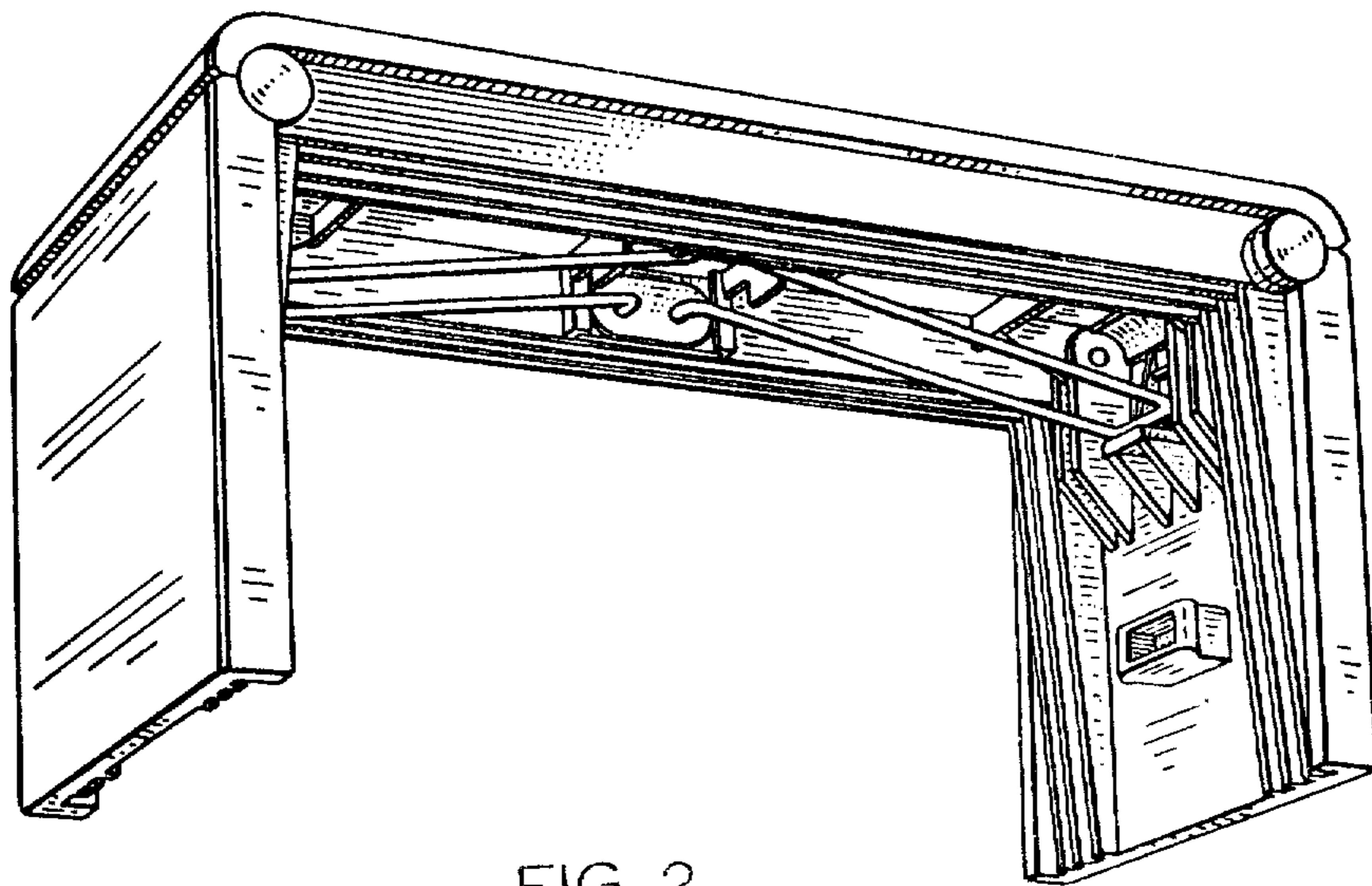


FIG. 2