

[54] **ARM CHAIR**

[76] **Inventor:** Donald C. Petitt, 207 W. 86th St.,
New York, N.Y. 10024

[*] **Notice:** The portion of the term of this patent
subsequent to Feb. 28, 1998 has been
disclaimed.

[**] **Term:** 14 Years

[21] **Appl. No.:** 320,041

[22] **Filed:** Nov. 10, 1981

[52] **U.S. Cl.** D6/31

[58] **Field of Search** D6/20-26,
D6/30, 31, 47, 67-73

[56] **References Cited**

U.S. PATENT DOCUMENTS

D. 231,286 4/1974 Dittert D6/31

D. 233,712 11/1974 Koepke D6/31
D. 236,302 8/1975 Prizlow D6/31
D. 249,203 9/1978 Gill D6/31
D. 260,056 8/1981 Sapper D6/72 X
3,907,363 9/1975 Baker et al. D6/31

OTHER PUBLICATIONS

Interiors, Mar. 1979, p. 46, Chair lower left by Thonet.

Primary Examiner—Bruce W. Dunkins

[57] **CLAIM**

The ornamental design for an arm chair, as shown.

DESCRIPTION

FIG. 1 is a perspective view of the arm chair of the
present invention;

FIG. 2 is a front view thereof;

FIG. 3 is a side view thereof; and

FIG. 4 is a rear view thereof.



Fig. 2.

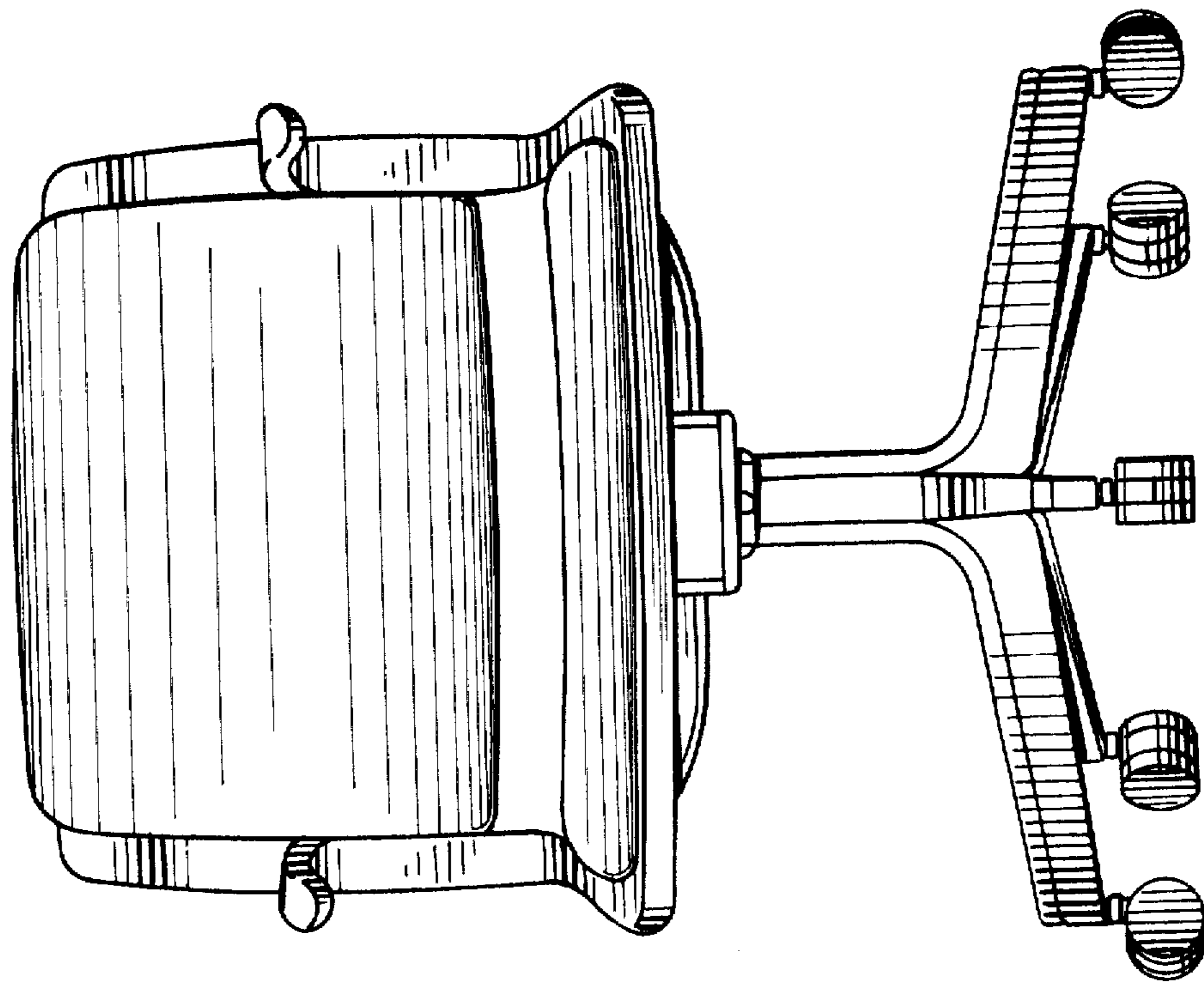


Fig. 1.

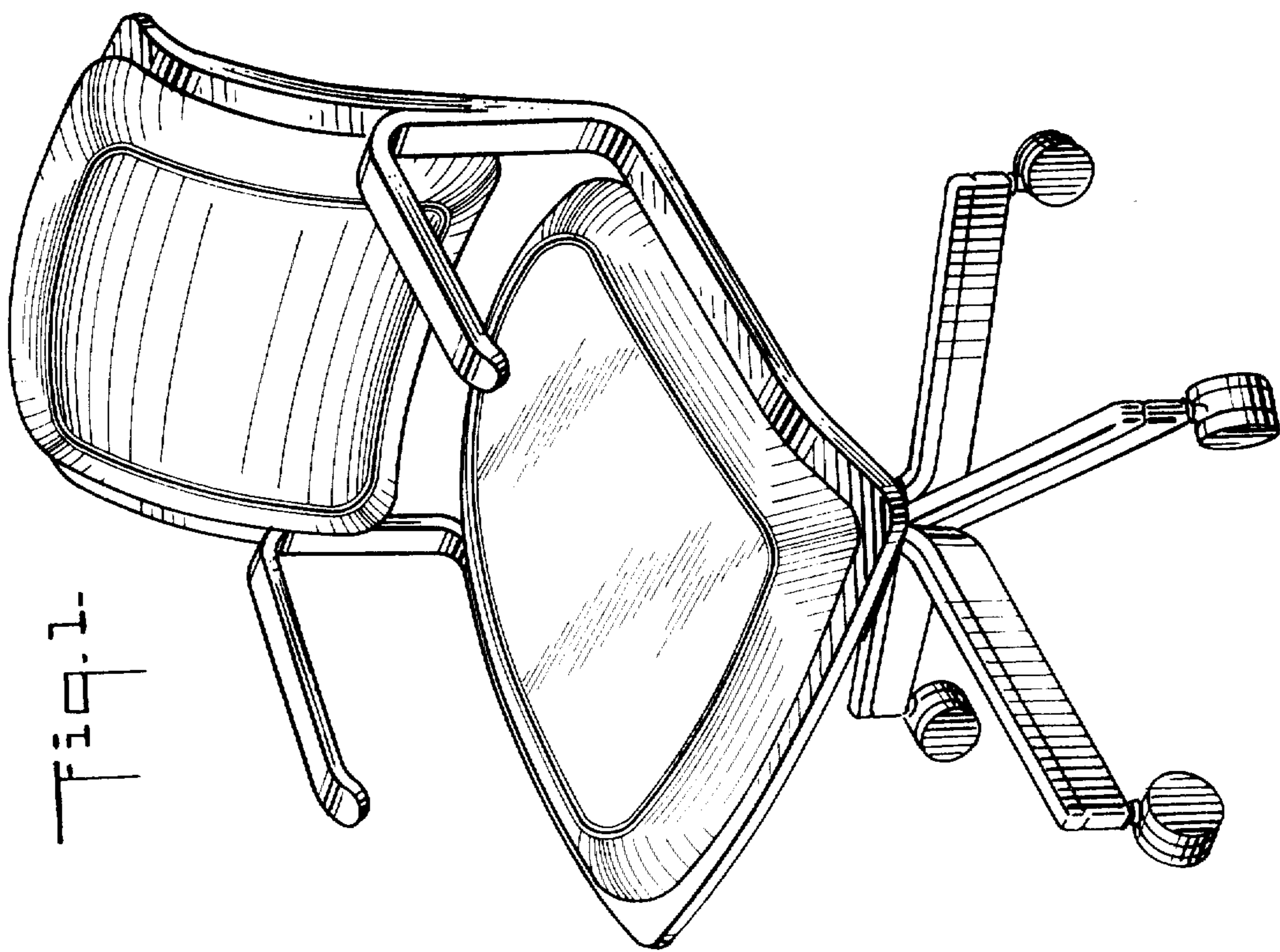


Fig. 4.

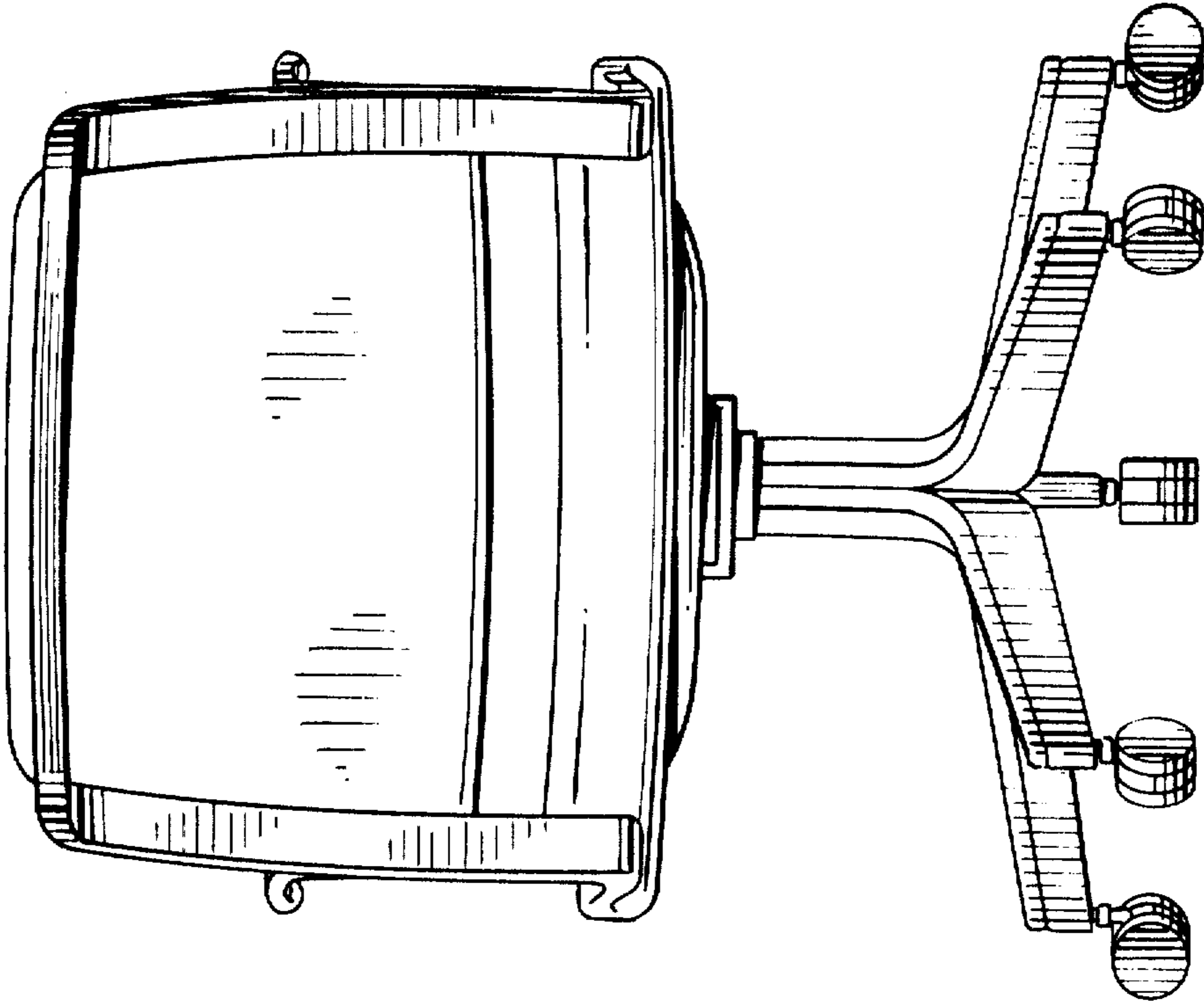


Fig. 3.

