

[54] **CHAIR**

[76] Inventor: **Donald C. Petitt**, 207 W. 86th St.,
New York, N.Y. 10024

[**] Term: **14 Years**

[21] Appl. No.: **320,040**

[22] Filed: **Nov. 10, 1981**

[52] U.S. Cl. **D6/30**

[58] Field of Search **D6/20-26,**
D6/30, 31, 47, 67-73

[56] **References Cited**

U.S. PATENT DOCUMENTS

D. 250,373 11/1978 Prizlow et al. **D6/30**

OTHER PUBLICATIONS

Interiors, Jan. 1977, p. 48, Armchair bottom center by fixtures.

Interiors, mar. 1979, p. 46, Chair upper right by Thonet.

Primary Examiner—Bruce W. Dunkins

[57] **CLAIM**

The ornamental design for a chair, as shown.

DESCRIPTION

FIG. 1 is a perspective view of the chair of the present invention;

FIG. 2 is a front view thereof;

FIG. 3 is a side view thereof; and

FIG. 4 is a rear view thereof.

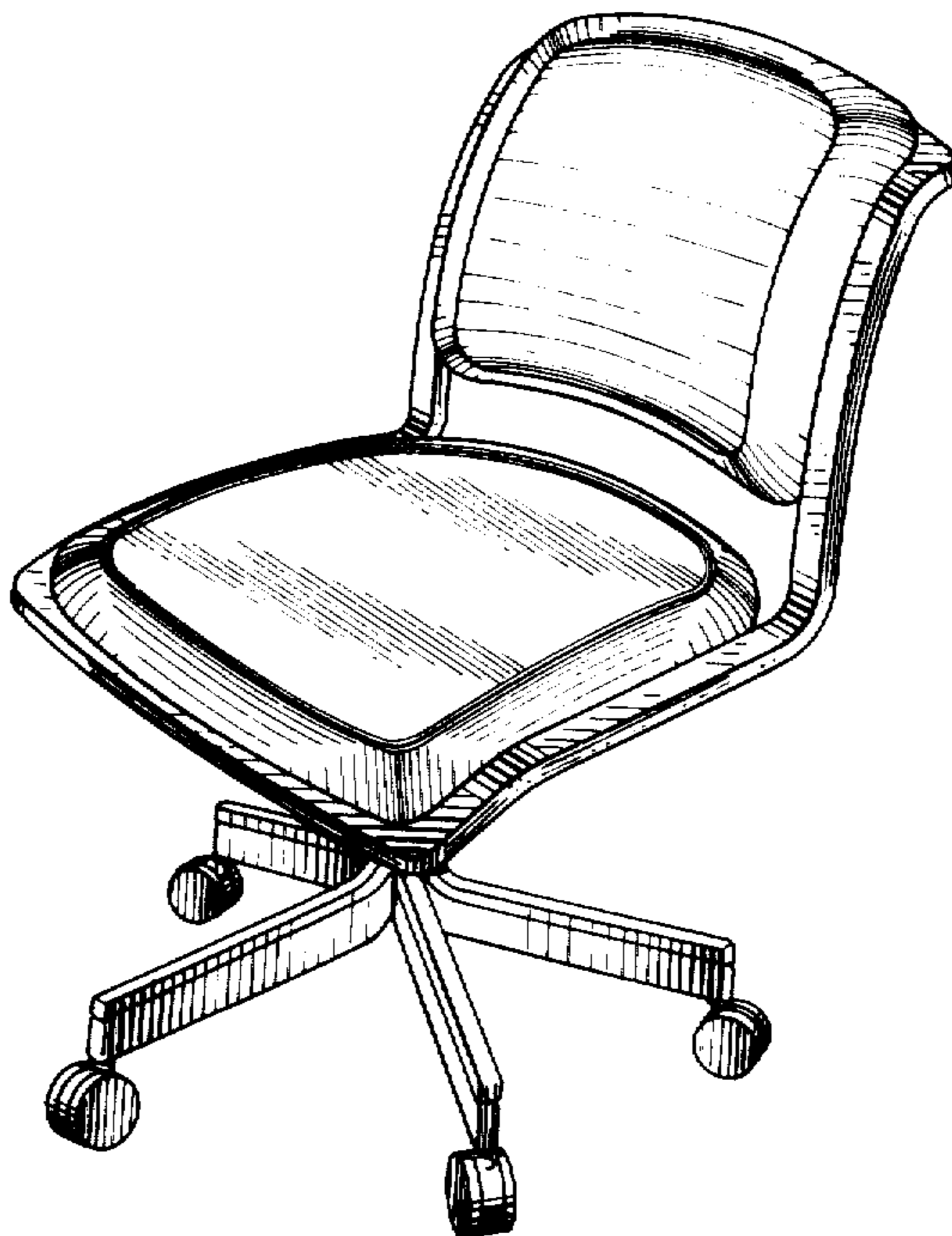


Fig. 2.

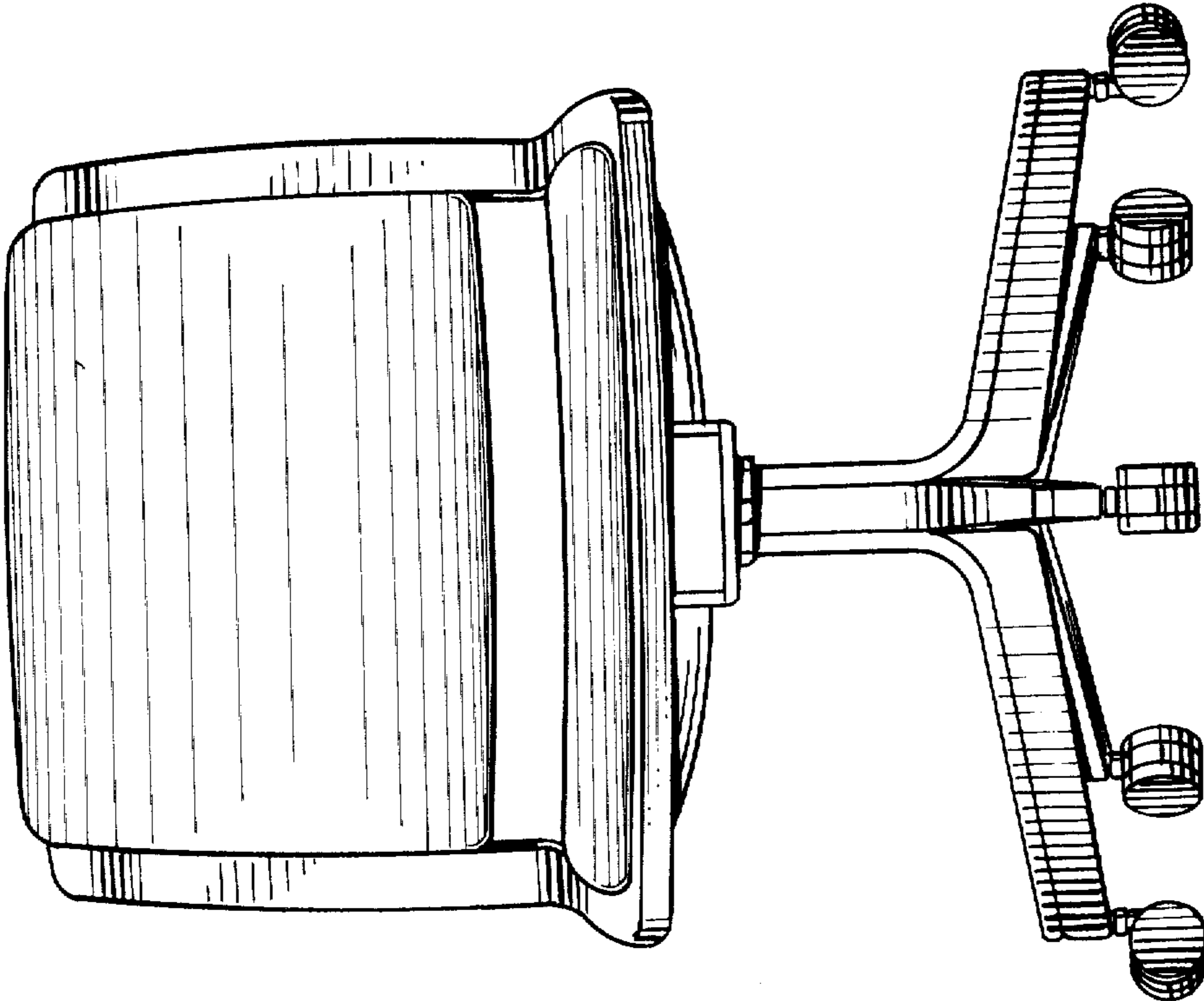


Fig. 1.

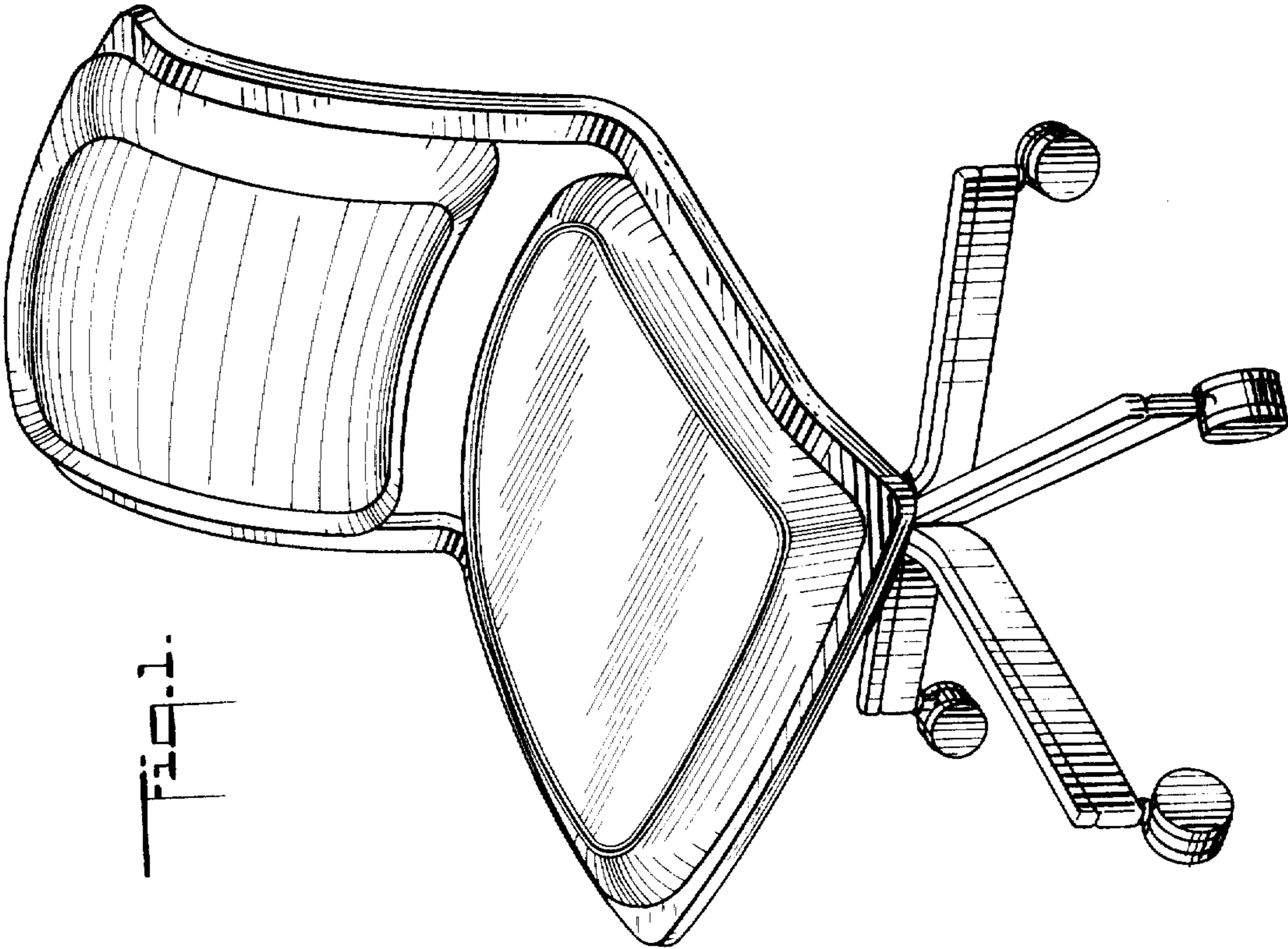


Fig. 4.

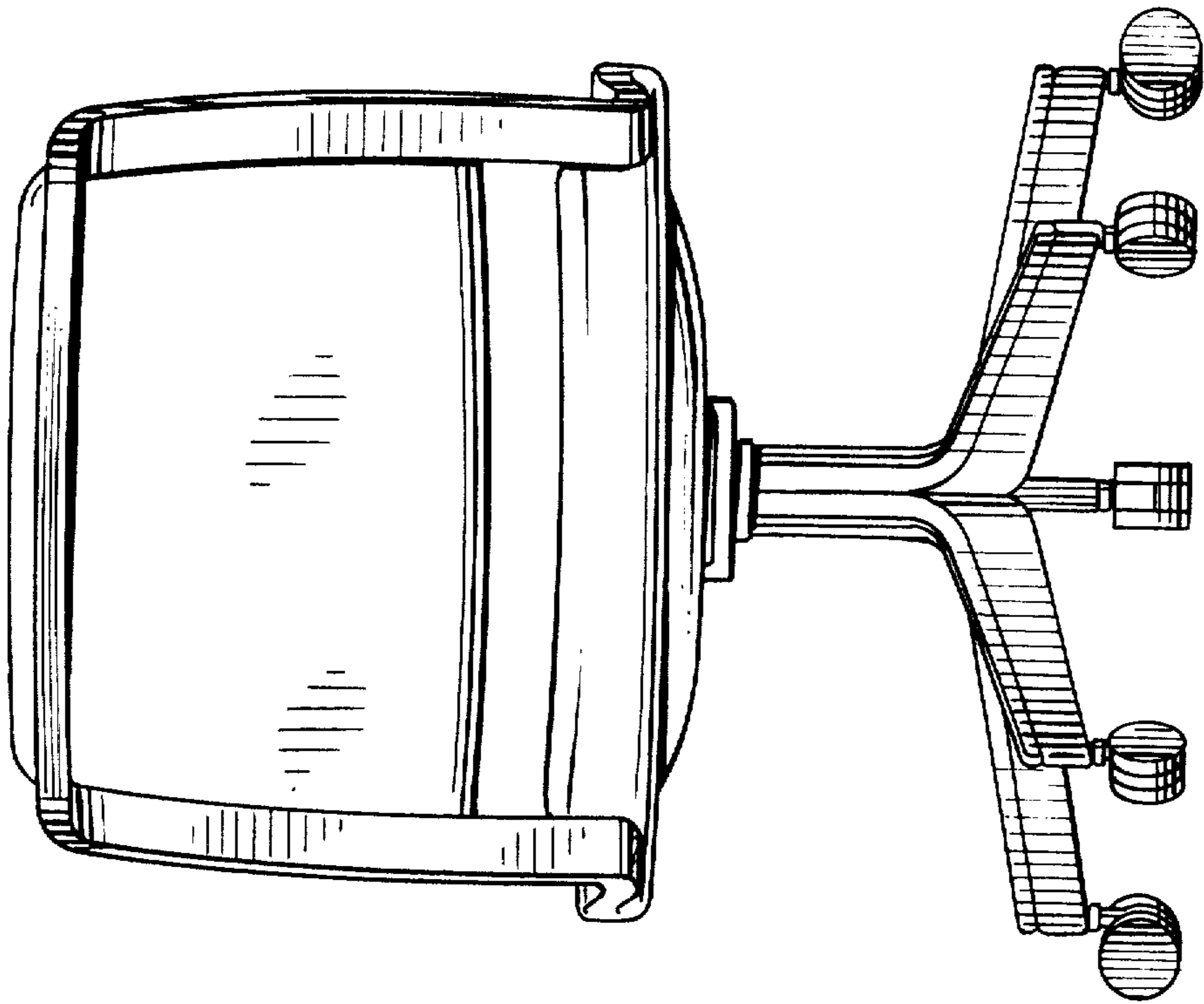


Fig. 3.

