

[54] CONVERTIBLE TABLE OR SIMILAR ARTICLE

[75] Inventor: Edward Secon, Trumbull, Conn.

[73] Assignee: The Sherwood Corporation, Spring City, Tenn.

[**] Term: 14 Years

[21] Appl. No.: 307,743

[22] Filed: Oct. 2, 1981

[52] U.S. Cl. D6/3; D6/27; D6/177; D6/186

[58] Field of Search D6/20, 27, 144, 146-149, D6/175, 177-181, 186; 108/11, 12, 13

[56] References Cited

U.S. PATENT DOCUMENTS

- D. 213,976 4/1969 Platner D6/27 X
- D. 229,255 11/1973 Workman et al. D6/27
- D. 233,380 10/1974 Hyman D6/27

D. 258,029 1/1981 Redmond D6/27 X

OTHER PUBLICATIONS

Brown Jordan Catalog, Apr. 18, 1973, p. 31, bar No. 1150-1189.

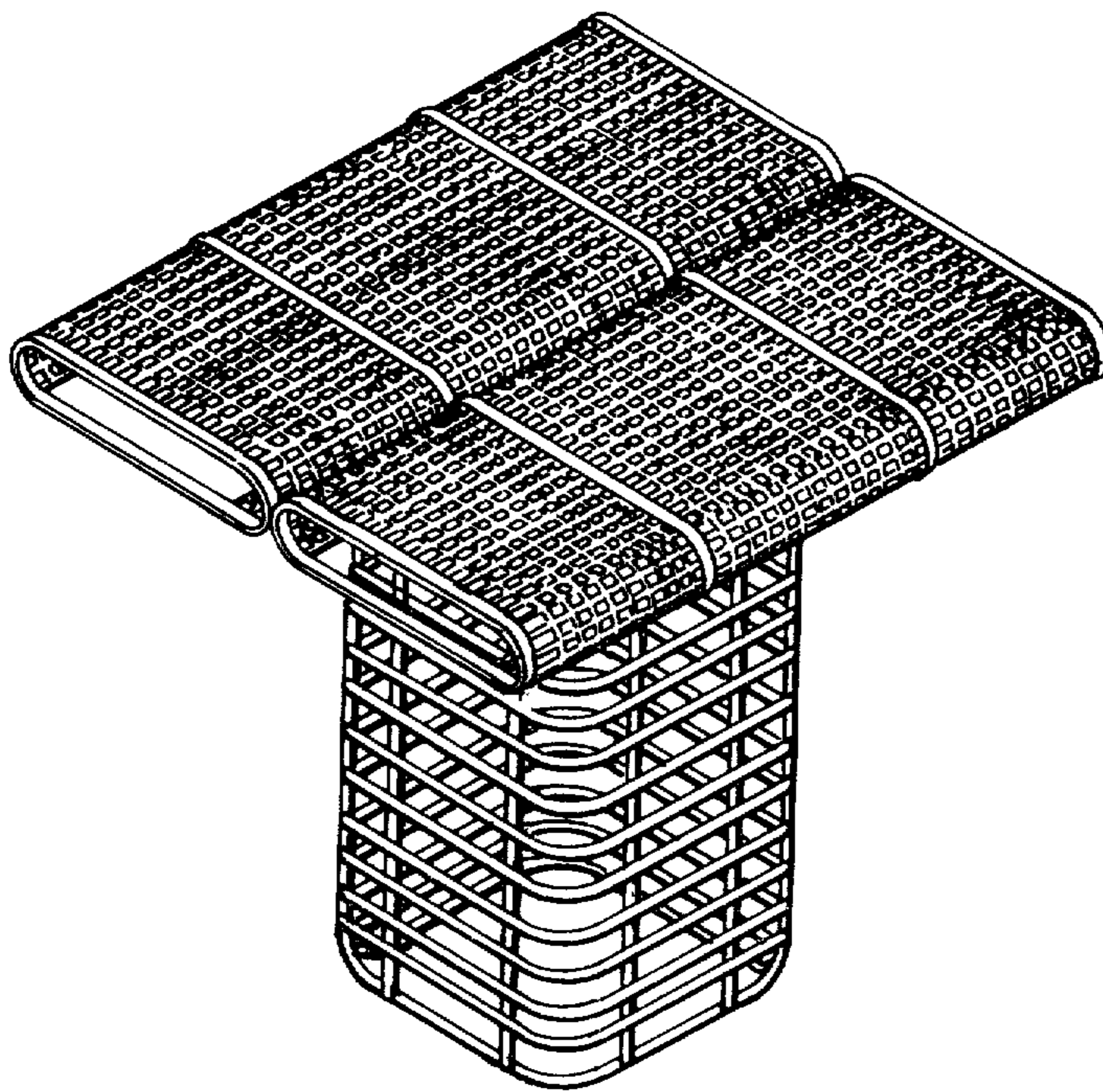
Primary Examiner—Bruce W. Dunkins
Attorney, Agent, or Firm—Alan Ruderman

[57] CLAIM

The ornamental design for a convertible table or similar article, substantially as shown.

DESCRIPTION

FIG. 1 is a perspective view of a convertible table or similar article illustrating my new design;
 FIG. 2 is a perspective view of the table of FIG. 1 shown in exploded form to clearly illustrate the detachable components thereof;
 FIG. 3 is a front perspective view of the article of FIG. 1 shown in its converted position for use as a multiple shelf unit; and
 FIG. 4 is a rear view of the shelf unit shown in FIG. 3.



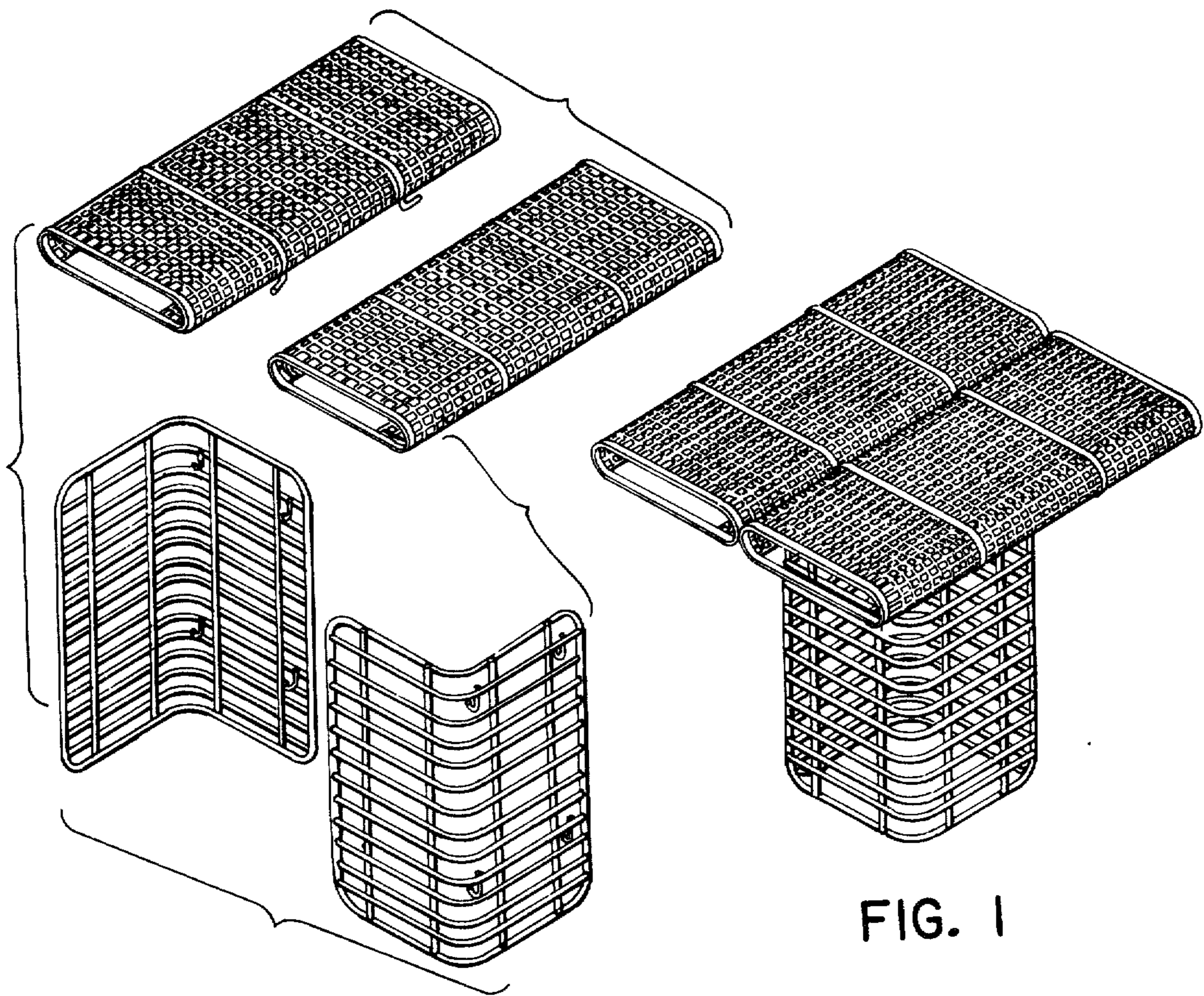


FIG. 1

FIG. 2

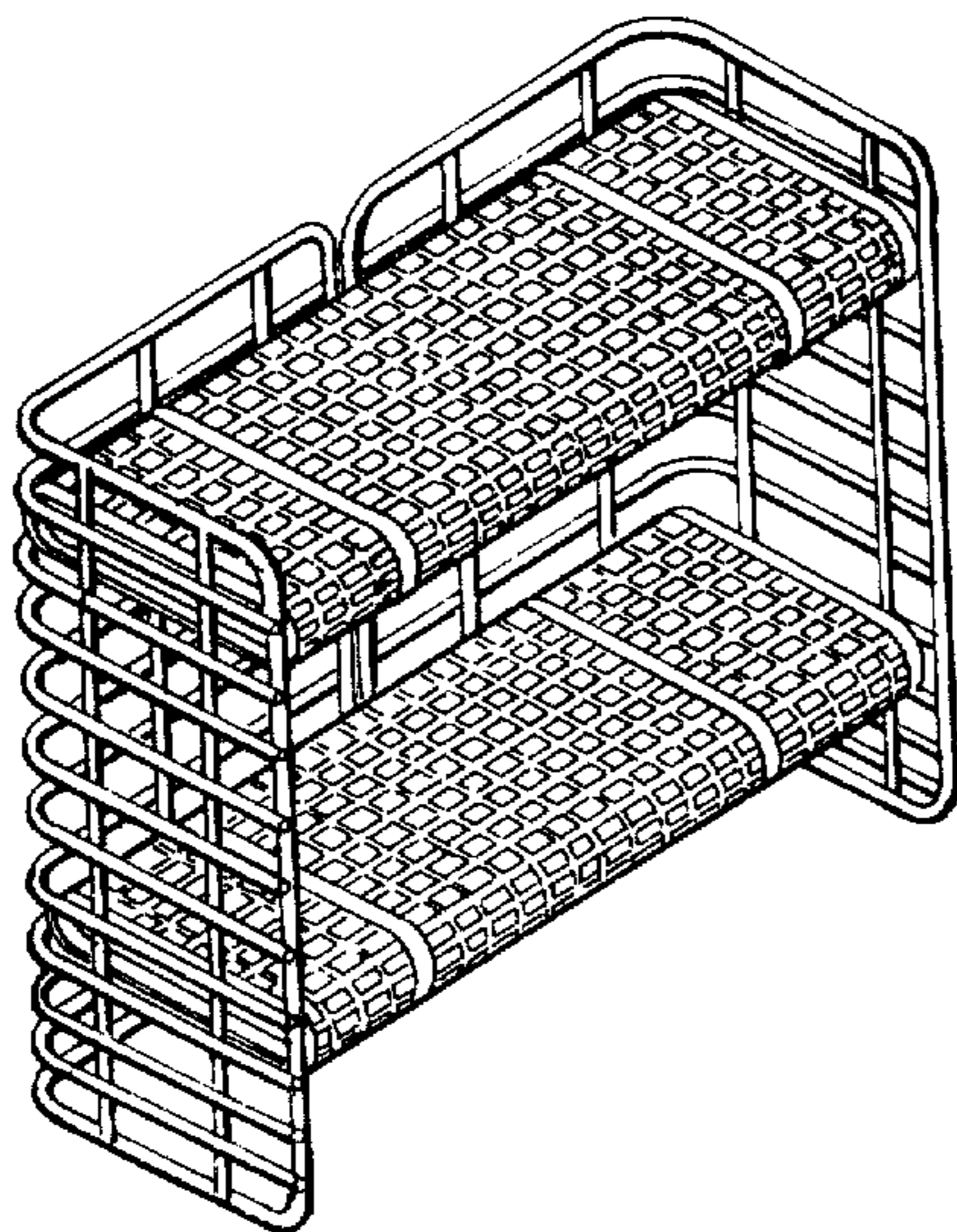


FIG. 3

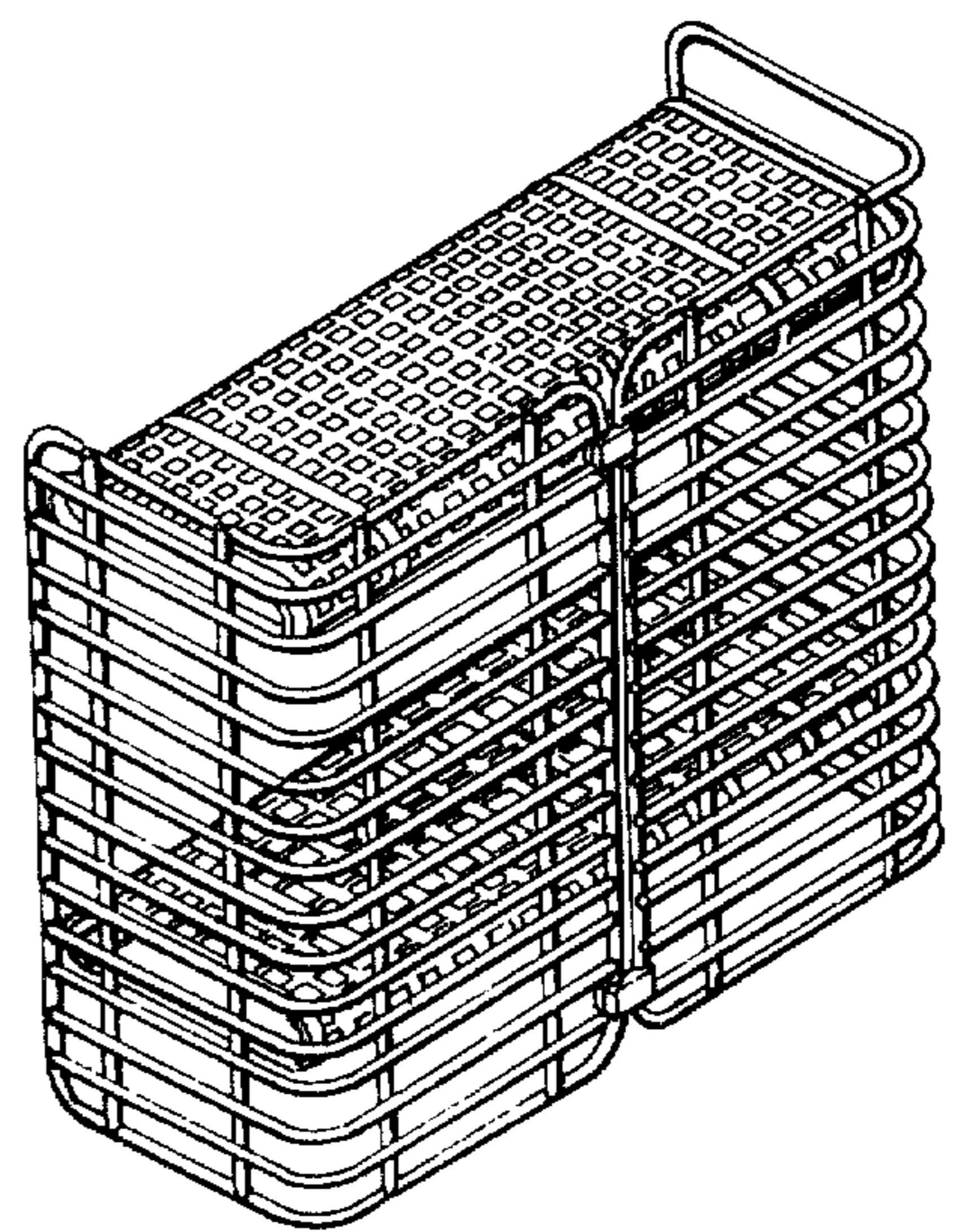


FIG. 4