

[54] MOBILE MAINTENANCE CART

[75] Inventors: Dale T. Maza, Frederick County; Harold Ruckman; Glen E. Tomblin, both of Winchester, all of Va.

[73] Assignee: Rubbermaid Commercial Products Inc., Winchester, Va.

[\*\*] Term: 14 Years

[21] Appl. No.: 319,667

[22] Filed: Nov. 9, 1981

[52] U.S. Cl. .... D34/21

[58] Field of Search ..... D34/21; 280/47.35

[56] References Cited

U.S. PATENT DOCUMENTS

- D. 215,834 11/1969 Bard ..... D34/21
- D. 230,833 3/1974 Visscher ..... D34/21

Primary Examiner—James M. Gandy  
Attorney, Agent, or Firm—Hamilton, Renner & Kenner

[57] CLAIM

The ornamental design for a mobile maintenance cart, as shown and described.

DESCRIPTION

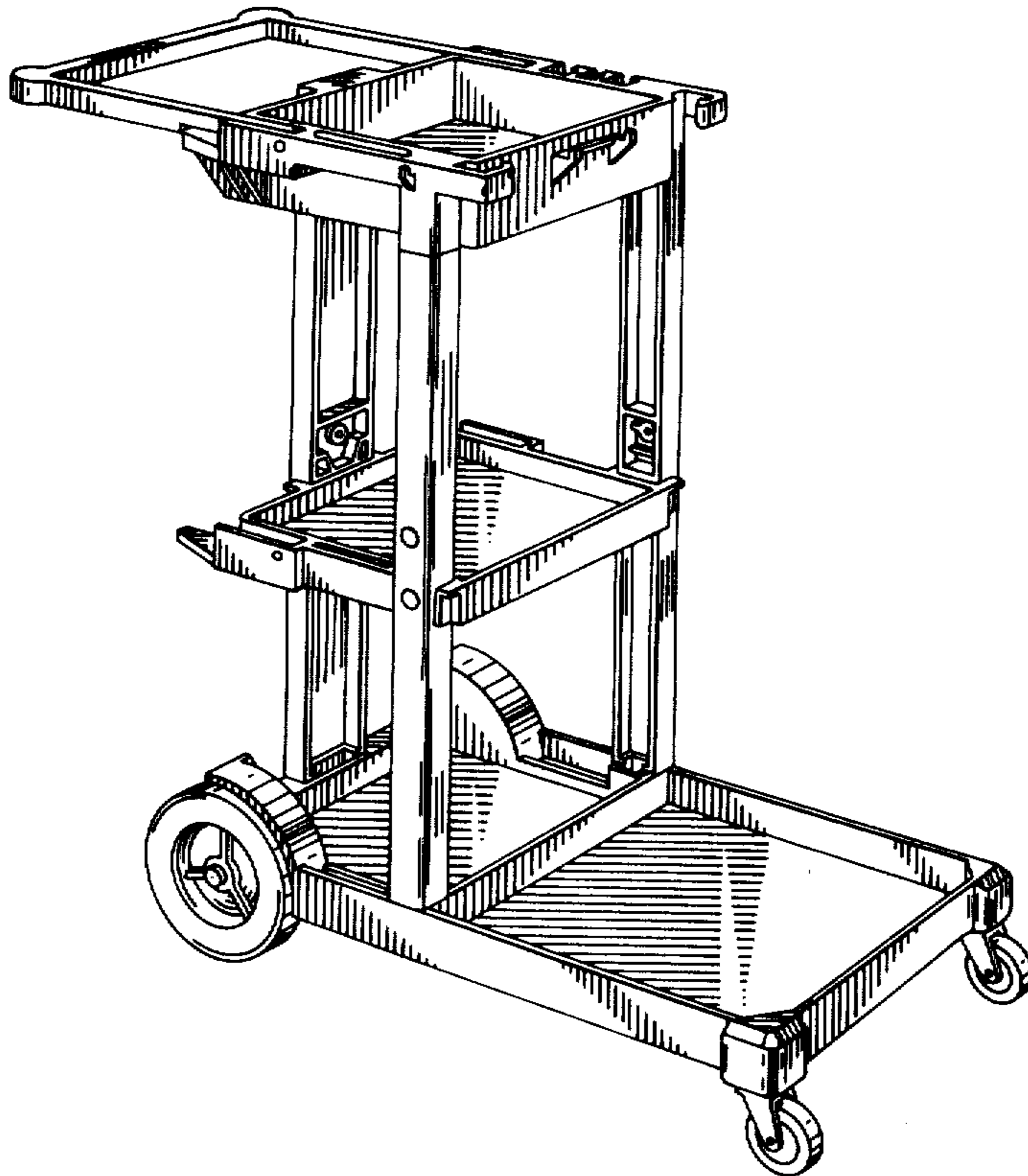
FIG. 1 is a perspective view of a mobile maintenance cart embodying our new design.

FIG. 2 is a top plan view thereof.

FIG. 3 is a side elevational view thereof opposite to that shown in FIG. 1.

FIG. 4 is a right end elevational view thereof.

FIG. 5 is a left end elevational view thereof.



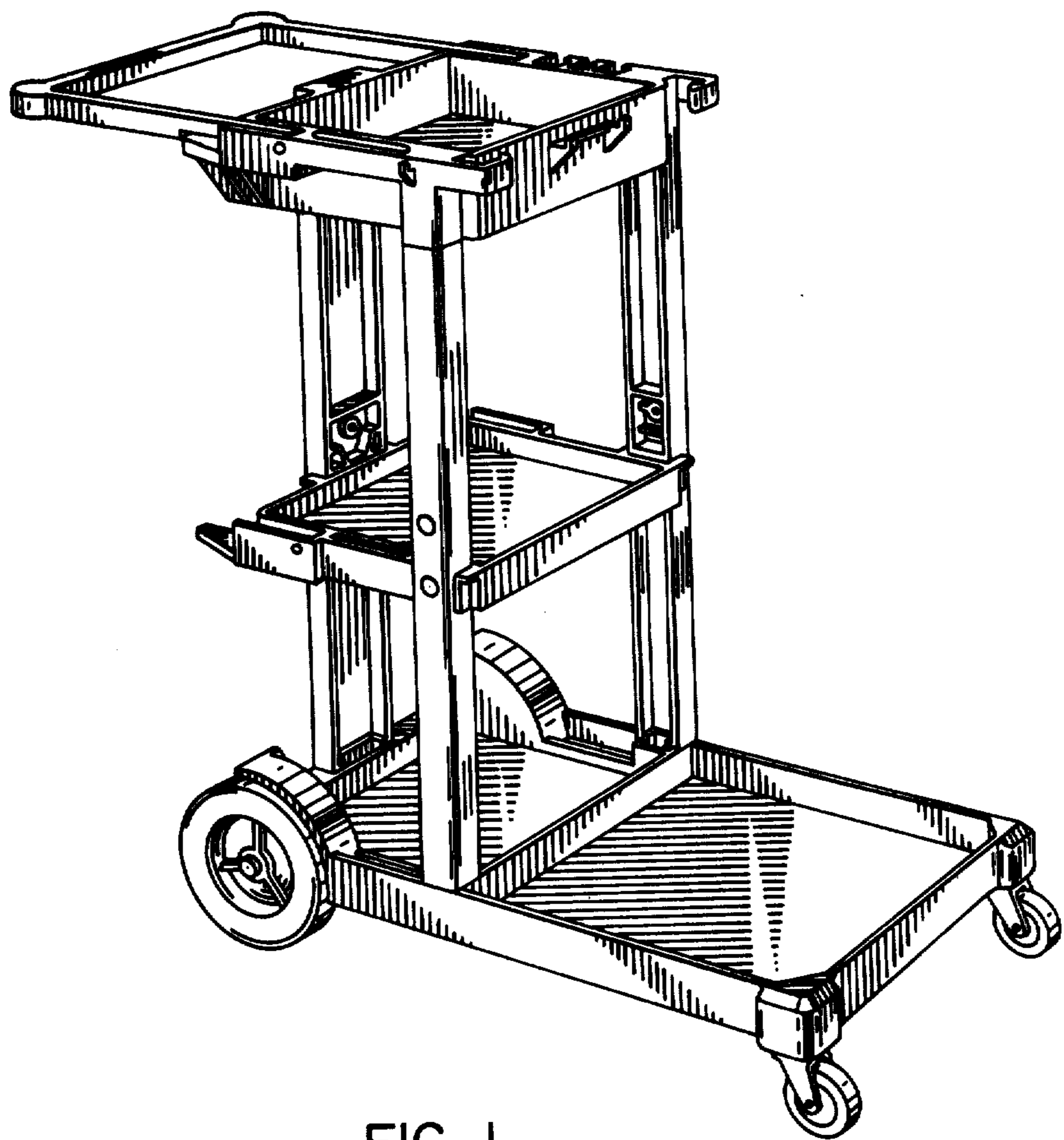


FIG. 1

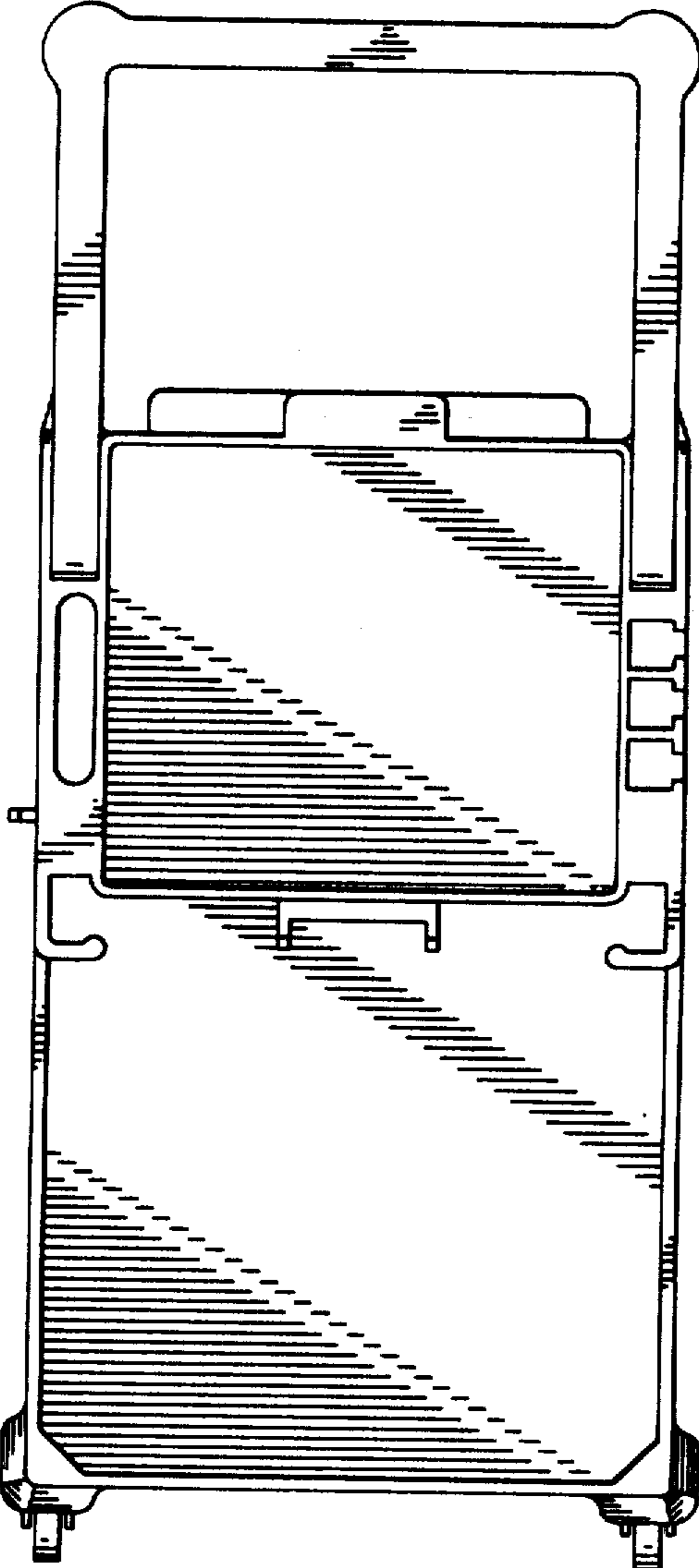


FIG. 2

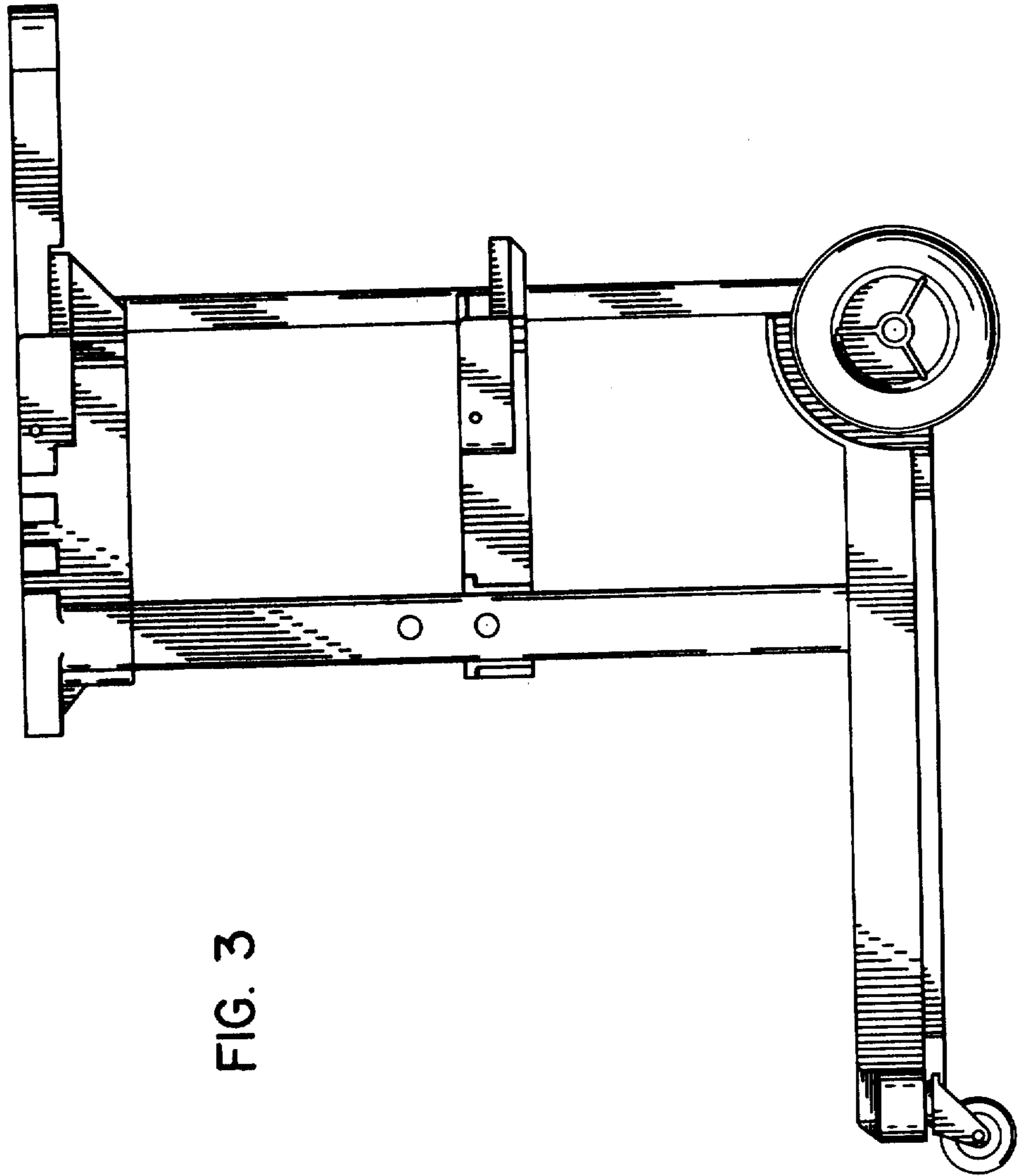


FIG. 3

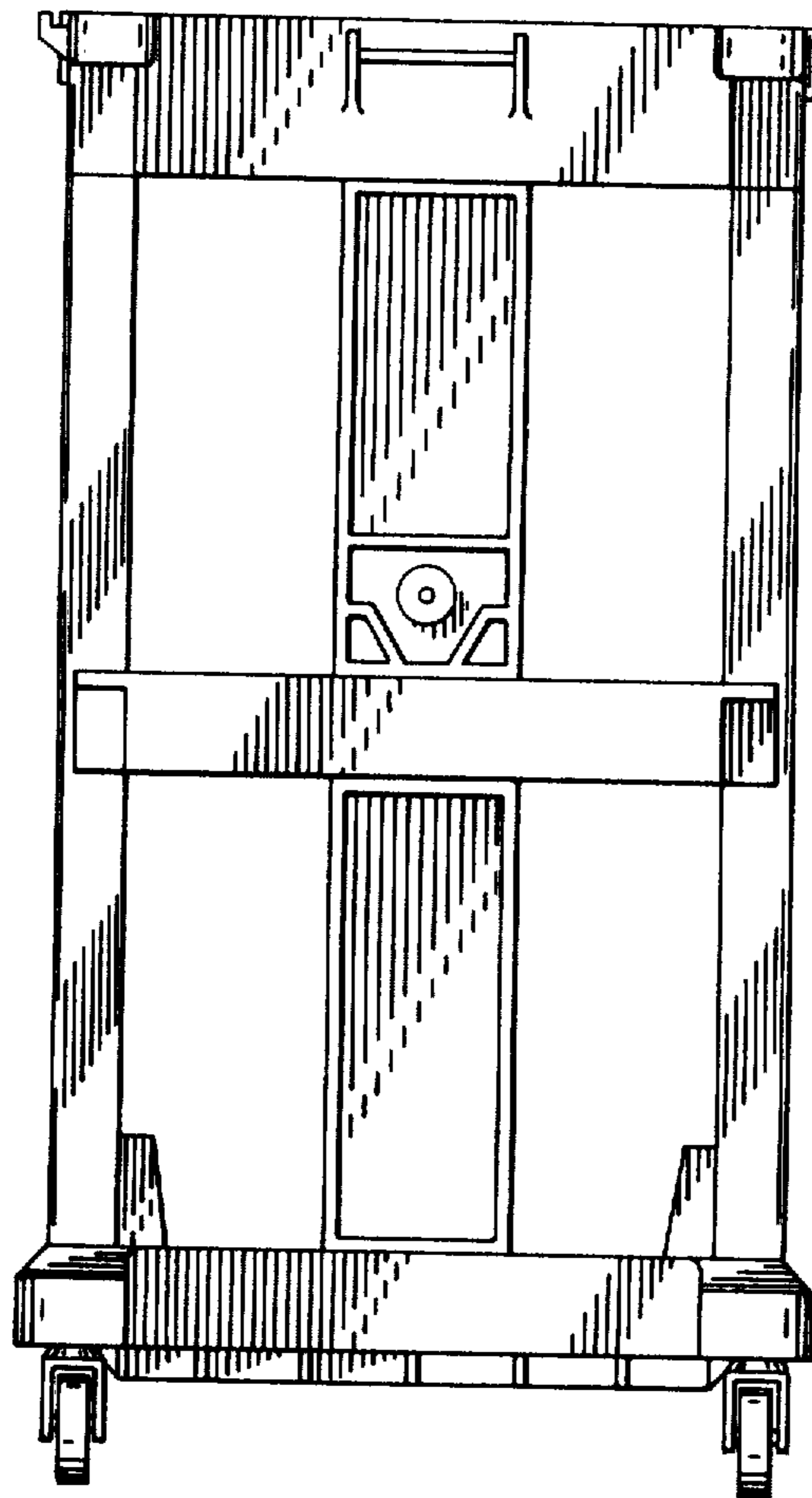


FIG. 4

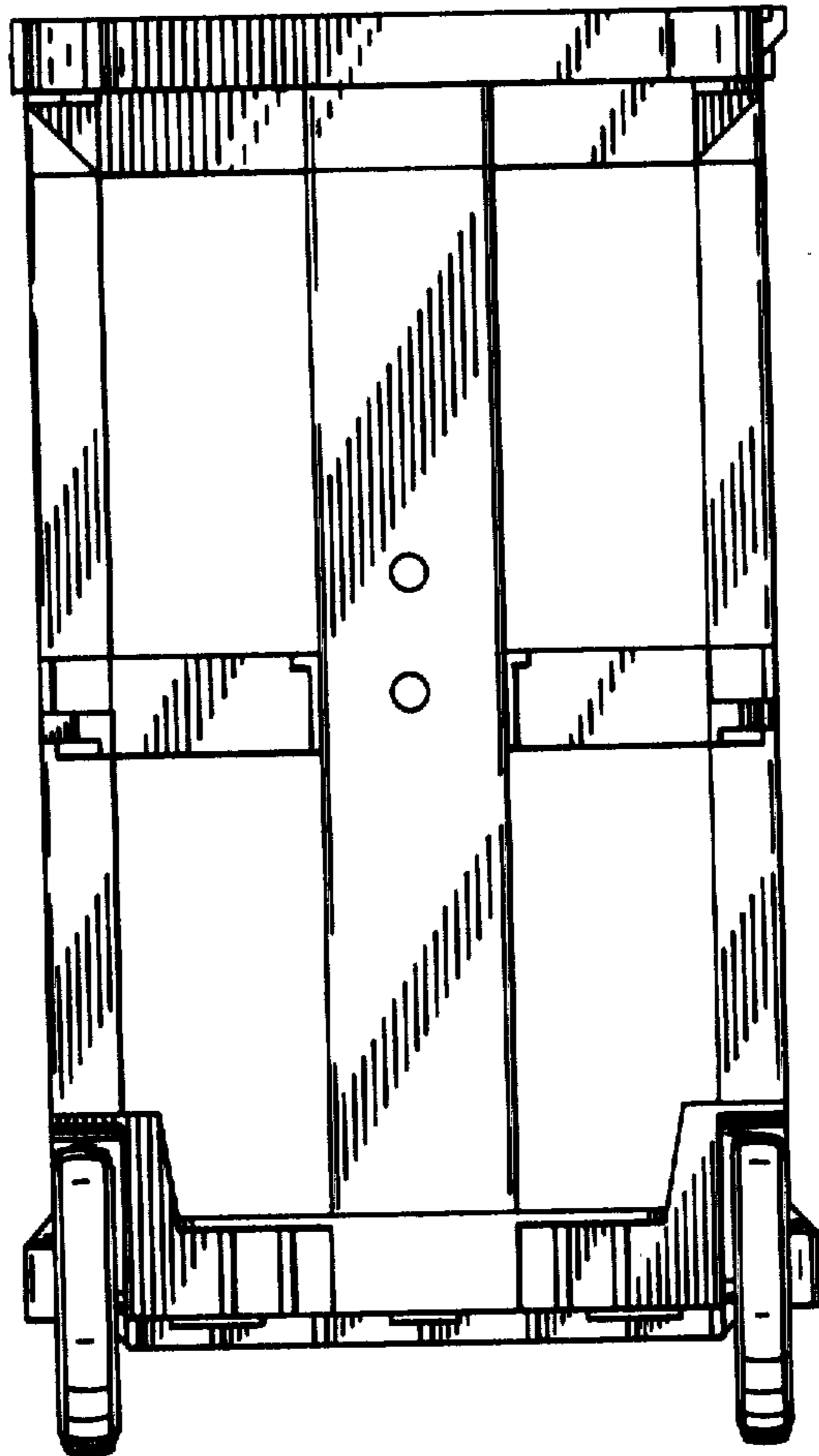


FIG. 5