

[54] **HEADLIGHT COVER**

- [75] Inventor: **François Bailly**, Neuilly sur Seine, France
[73] Assignee: **Equipements Automobiles Marchal**, Issy-les-Moulineaux, France
[**] Term: **14 Years**
[21] Appl. No.: **160,299**
[22] Filed: **Jun. 17, 1980**

[30] **Foreign Application Priority Data**

- Oct. 1, 1979 [FR] France 77915
[52] U.S. Cl. **D26/139**
[58] Field of Search 362/351, 353, 355, 350, 362/341, 344, 347, 359, 61; D26/118, 119, 139

[56] **References Cited**

- U.S. PATENT DOCUMENTS**
3,621,233 11/1971 Ferdinand, Jr. 362/355

FOREIGN PATENT DOCUMENTS

- 246311 1/1926 United Kingdom 362/359
508416 6/1936 United Kingdom 362/359
1334855 10/1973 United Kingdom 362/359

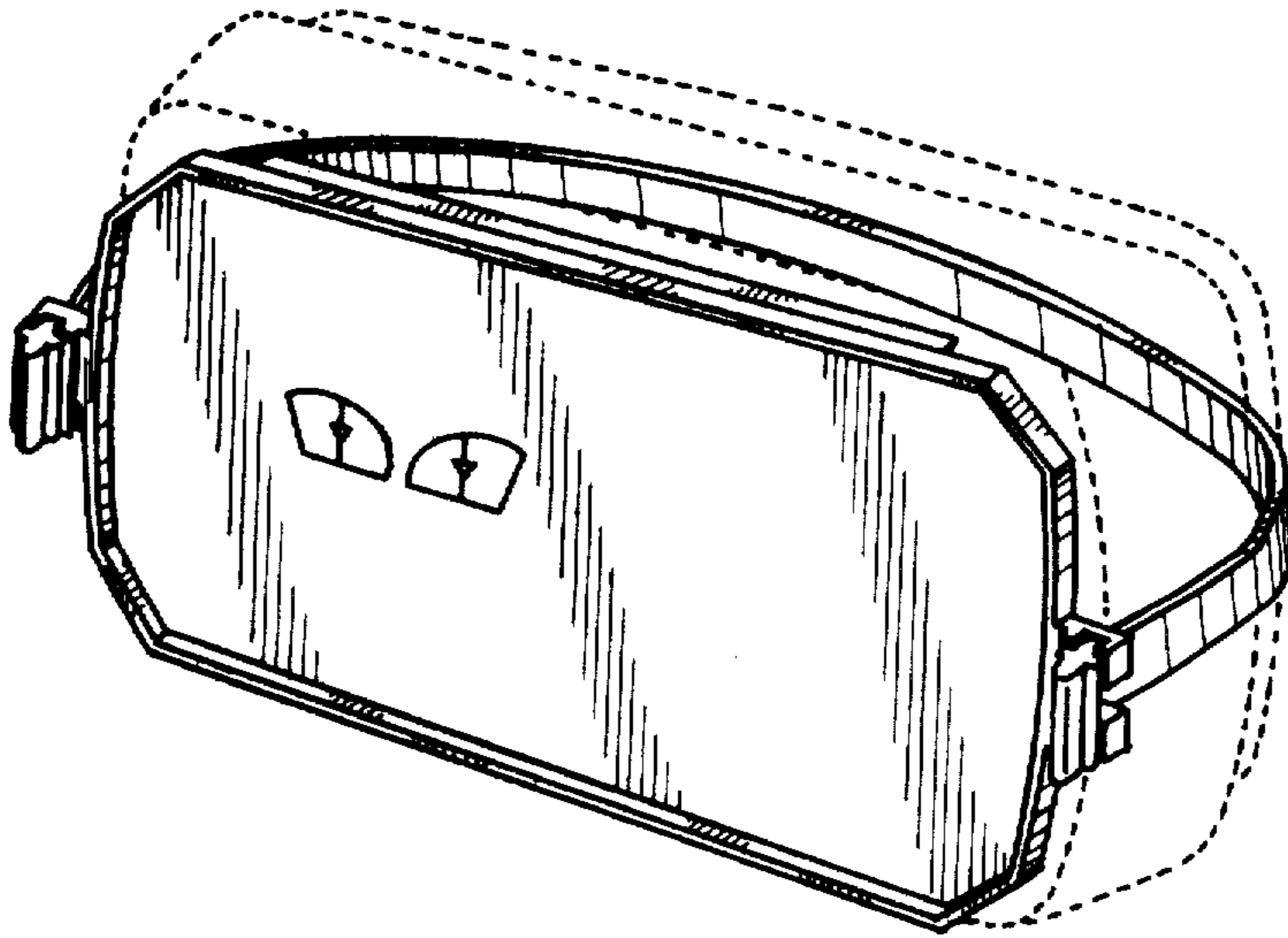
Primary Examiner—Susan J. Lucas
Attorney, Agent, or Firm—Brisebois & Kruger

[57] **CLAIM**

The ornamental design for a headlight cover, as shown, and described.

DESCRIPTION

FIG. 1 is a front view in elevation of the headlight cover showing the new design;
FIG. 2 is a rear view thereof;
FIG. 3 is a top plan view thereof;
FIG. 4 is a bottom plan view thereof;
FIG. 5 is a left hand end view thereof;
FIG. 6 is a right hand end view thereof; and
FIG. 7 is a front pictorial view thereof showing the headlight cover mounted on a headlight represented in dotted lines, for illustrative purposes only.



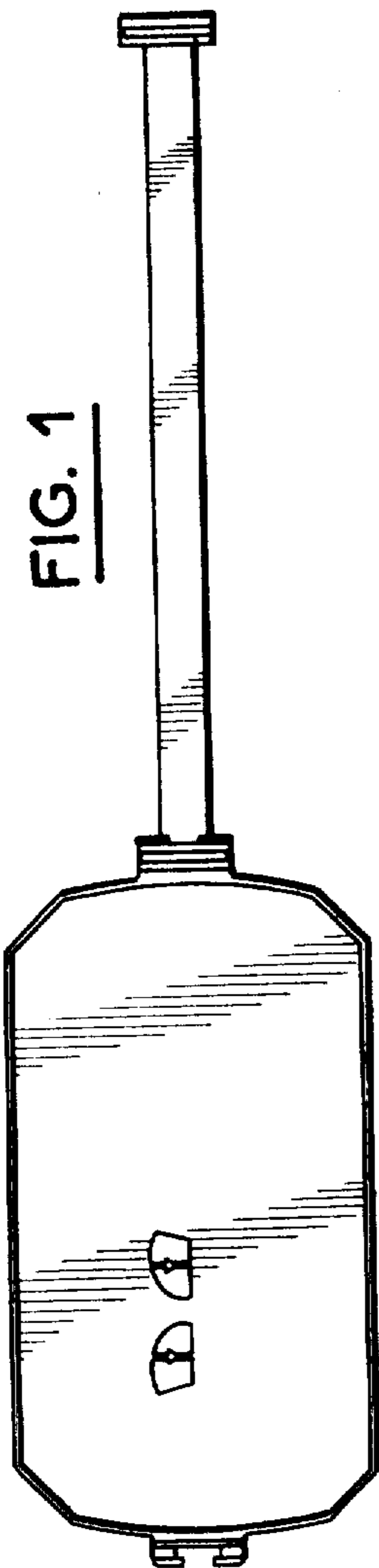


FIG. 1

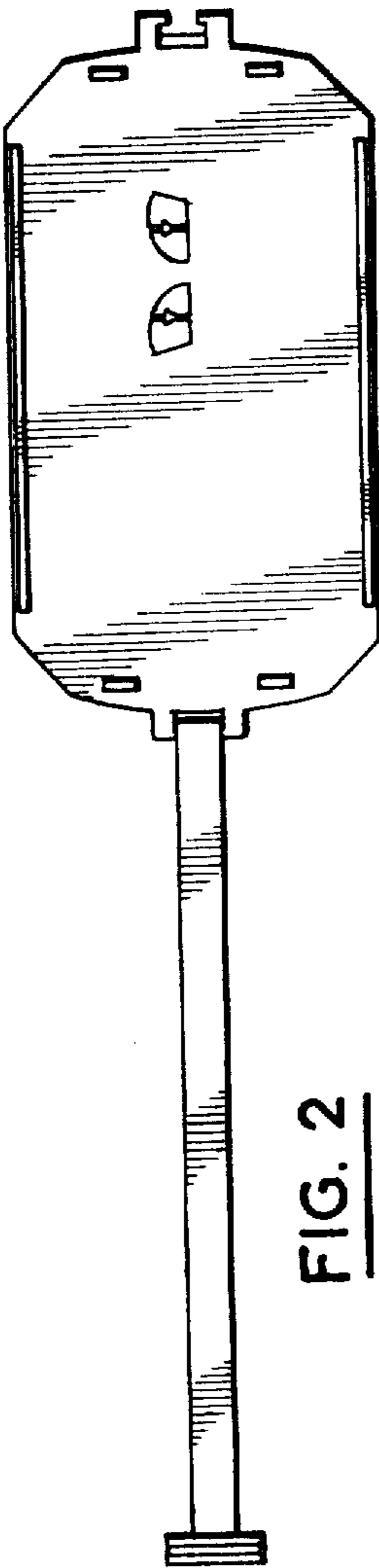


FIG. 2



FIG. 3



FIG. 4



FIG. 5

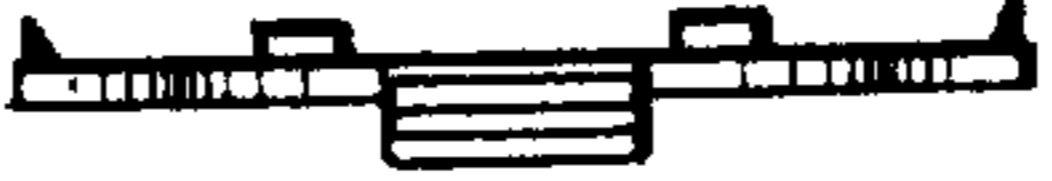


FIG. 6

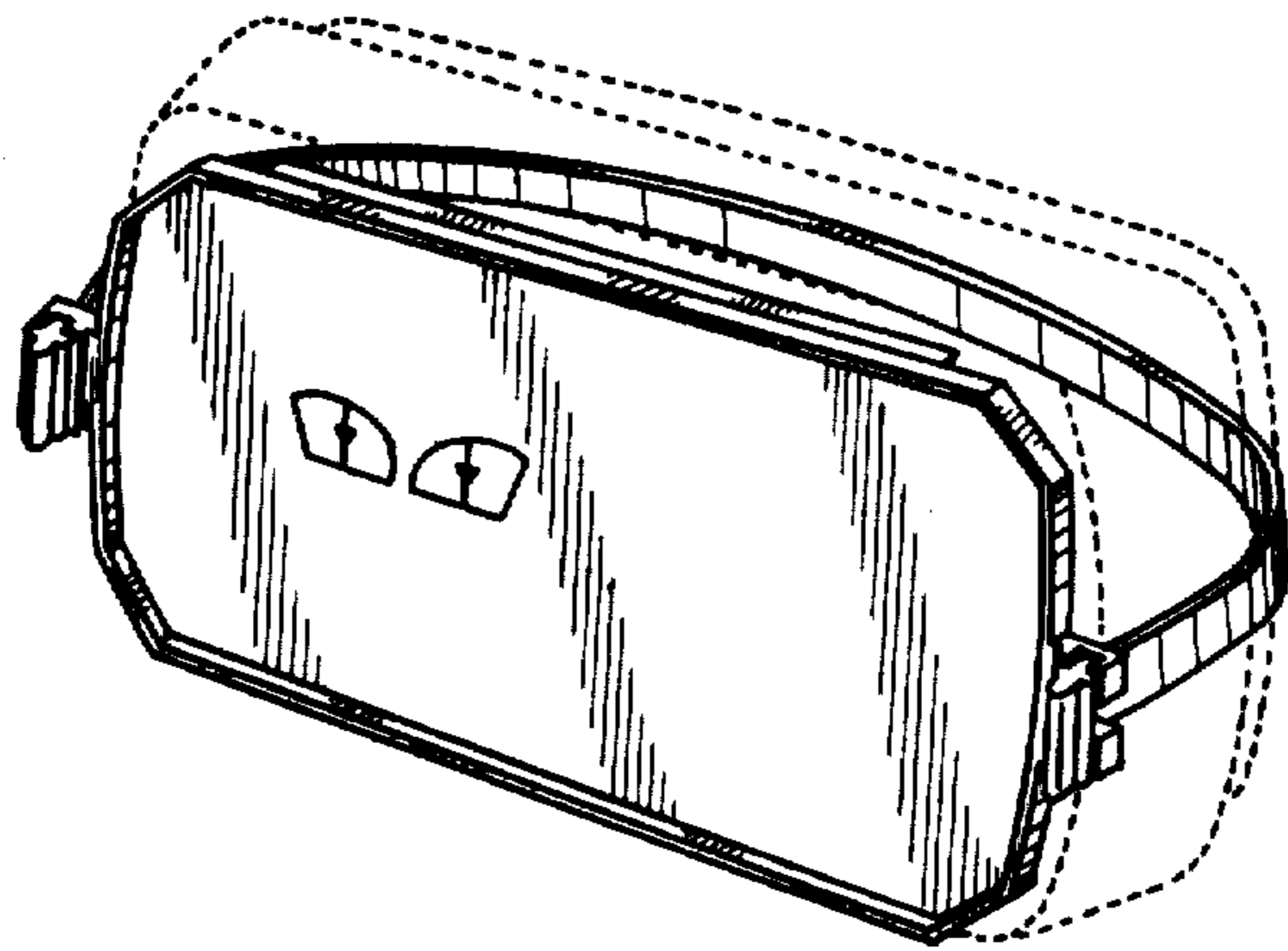


FIG. 7