

[54] FILTER
 [75] Inventor: Tibor Horvath, Brooklyn, N.Y.
 [73] Assignee: Lazere Financial Corporation, New York, N.Y.
 [**] Term: 14 Years
 [21] Appl. No.: 308,934
 [22] Filed: Oct. 5, 1981
 [52] U.S. Cl. D23/4
 [58] Field of Search D23/4; 210/169, 416.2, 210/168

4,186,093 1/1980 Willinger 210/169
 4,369,109 1/1983 Edge 210/169

Primary Examiner—Wallace R. Burke
 Assistant Examiner—Lynn Wilder
 Attorney, Agent, or Firm—Howard C. Miskin

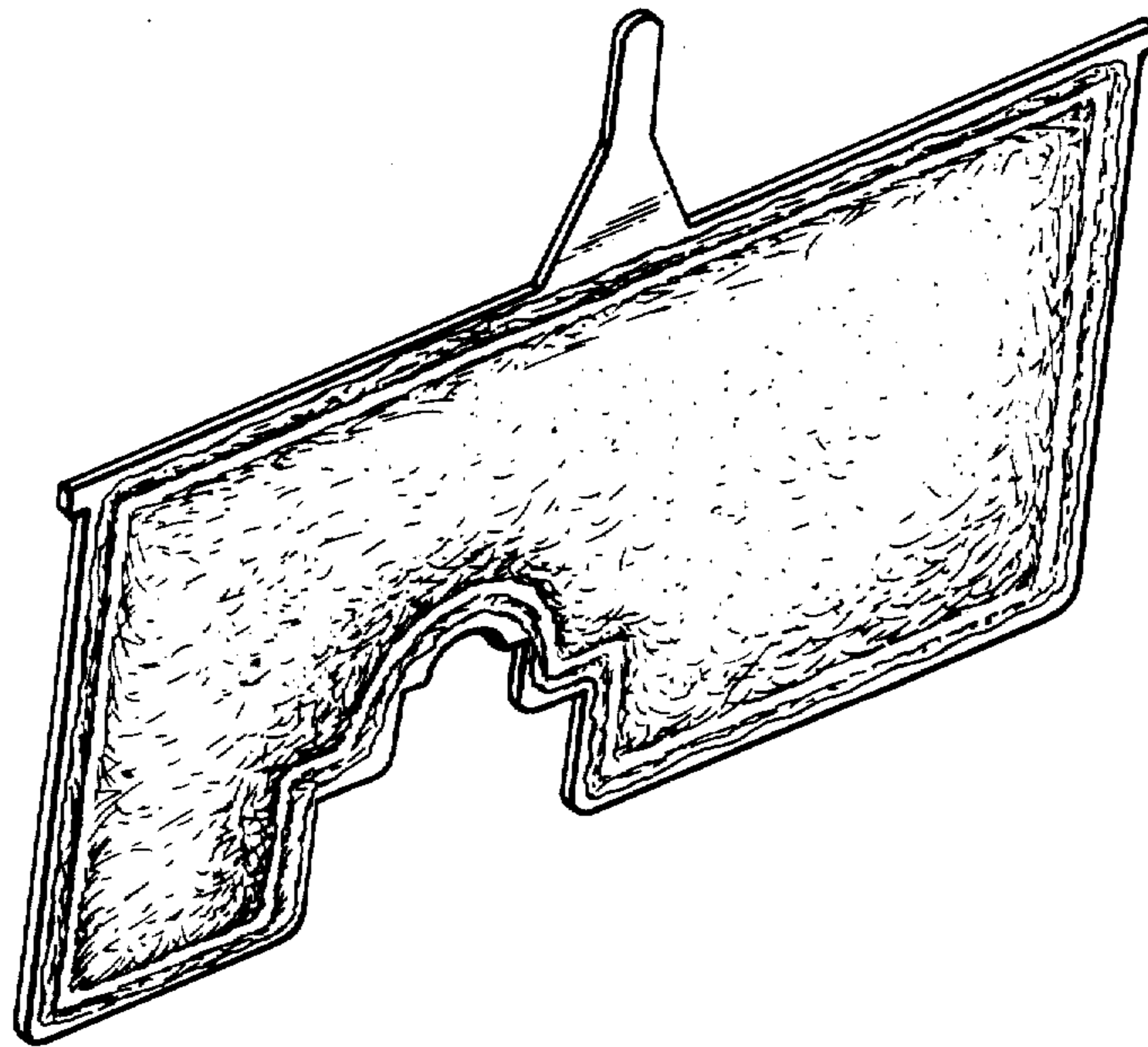
[57] CLAIM

The ornamental design for a filter, substantially as shown and described.

DESCRIPTION

FIG. 1 is a perspective view of a filter as seen from one side showing my new design;
 FIG. 2 is a perspective view thereof as seen from the opposite side;
 FIG. 3 is a perspective view of a second embodiment of the filter as seen from one side;
 FIG. 4 is a perspective view thereof as seen from the opposite side.

[56] References Cited
 U.S. PATENT DOCUMENTS
 3,643,801 2/1972 Zelenko 210/169
 4,136,011 1/1979 Joseph et al. 210/168



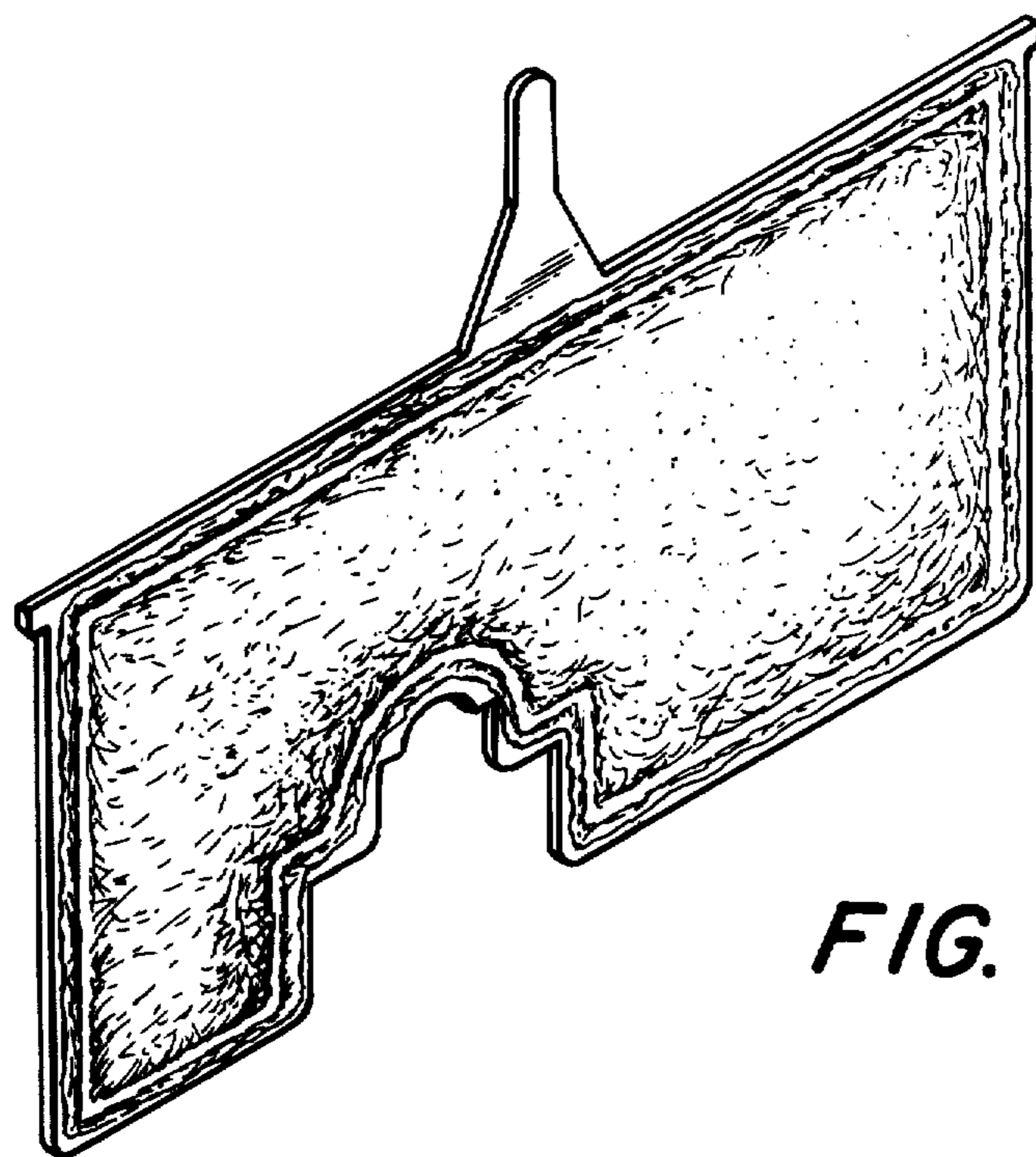


FIG. 1

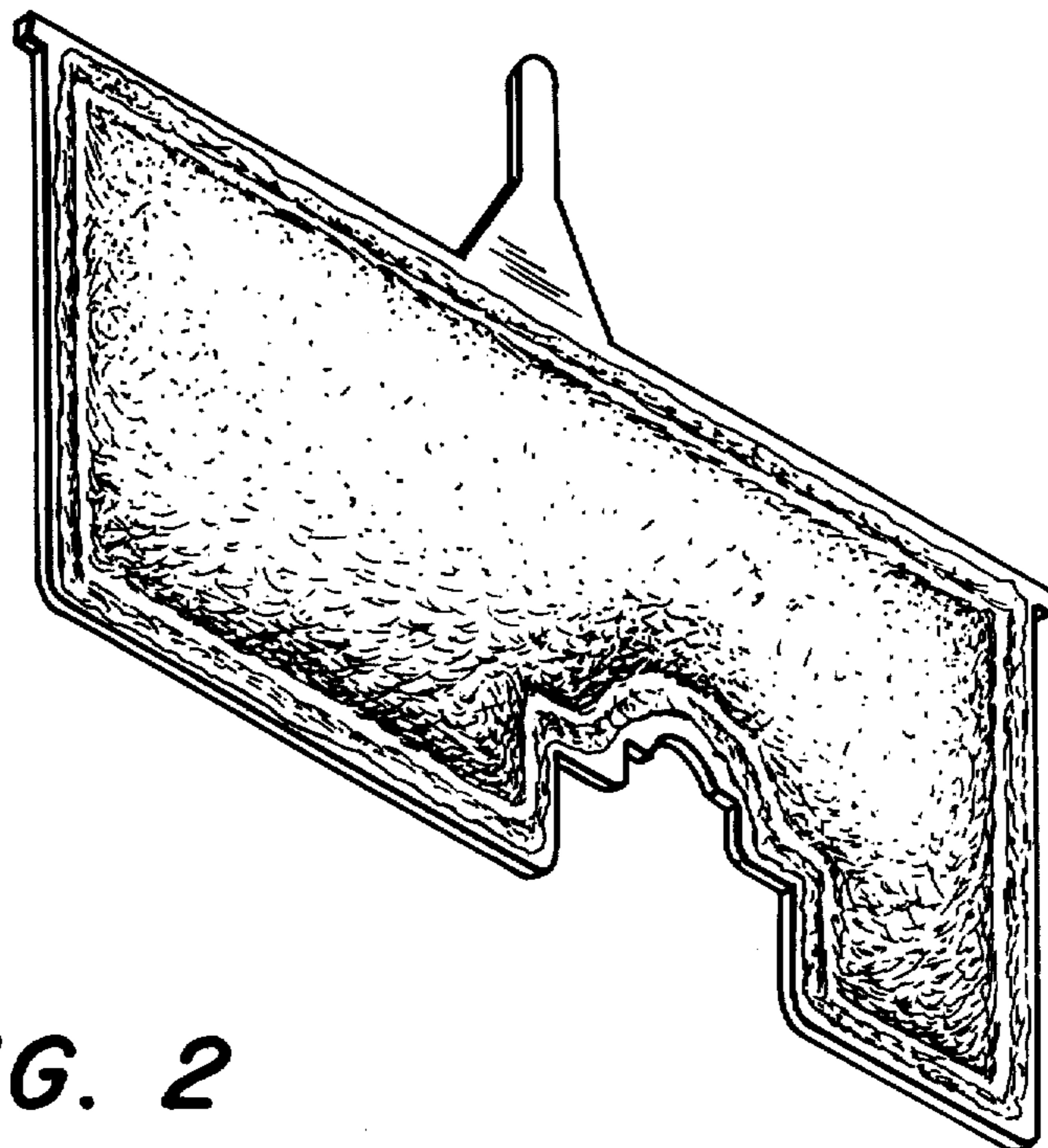


FIG. 2

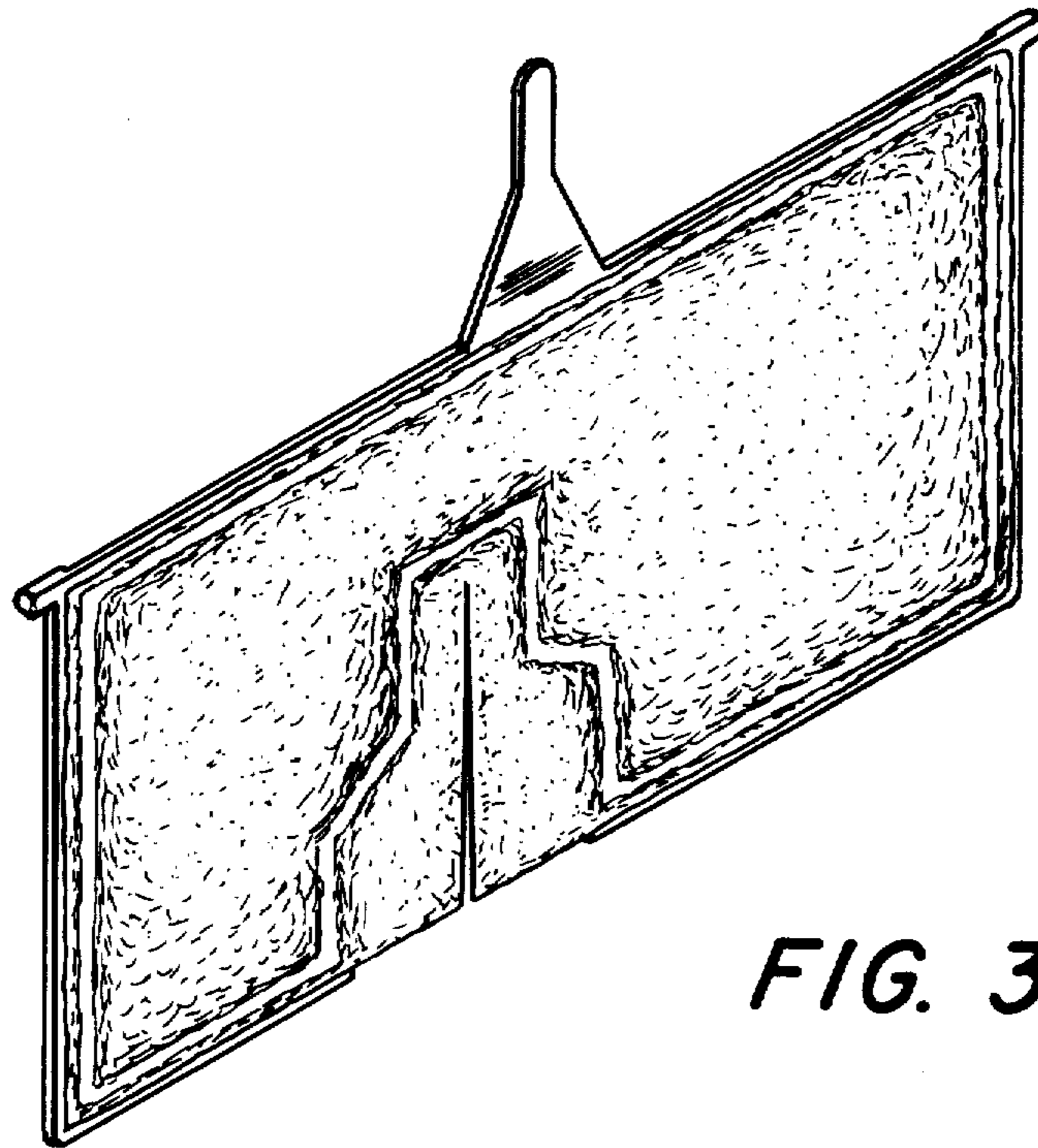


FIG. 3

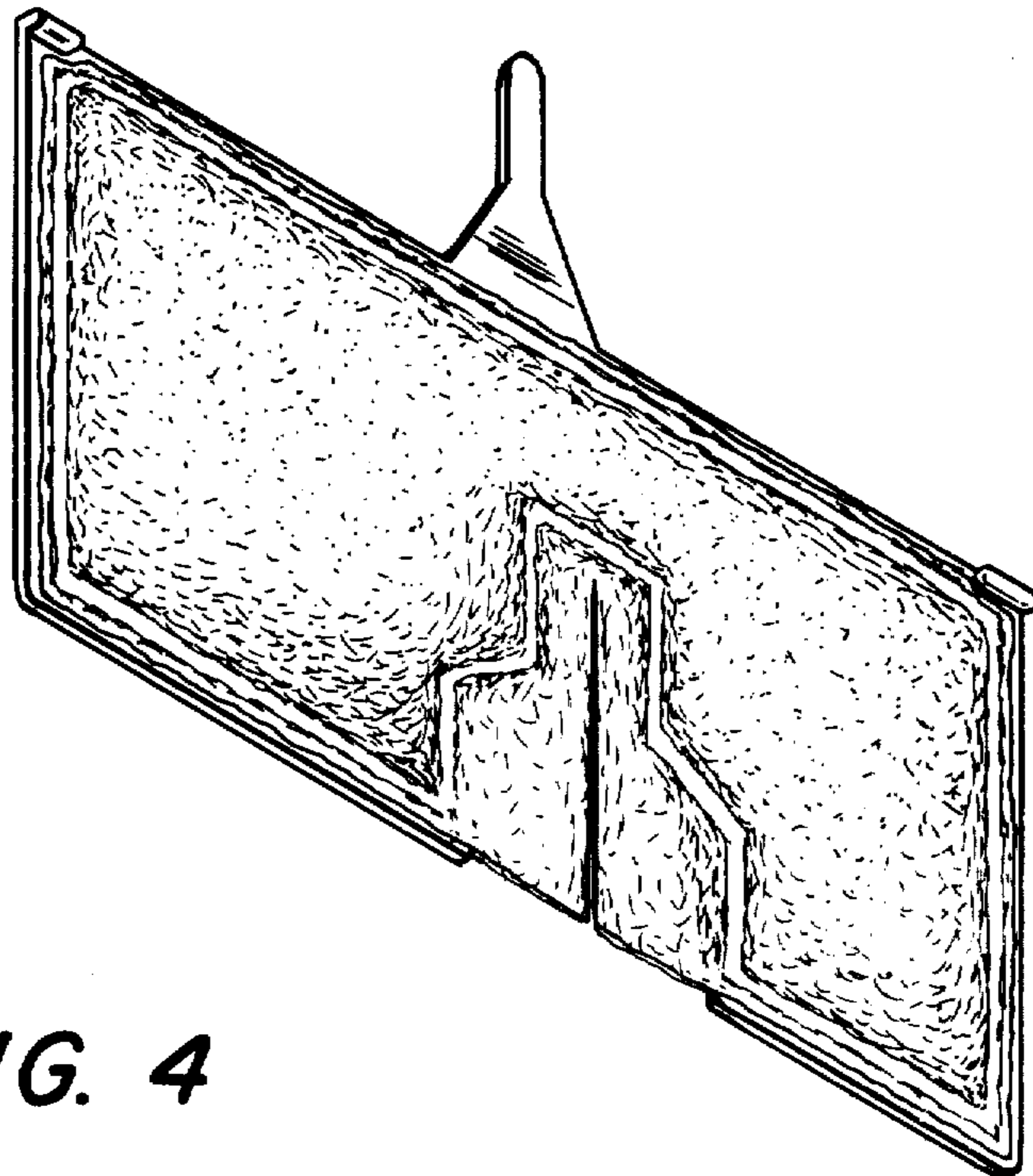


FIG. 4