

[54] REEL FOR FISHING

[75] Inventor: Kanji Iinuma, Tokyo, Japan

[73] Assignee: Daiwa Seiko, Inc., Tokyo, Japan

[\*\*] Term: 14 Years

[21] Appl. No.: 399,763

[22] Filed: Jul. 19, 1982

[30] Foreign Application Priority Data

Jan. 30, 1982 [JP] Japan ..... 57-3601

[52] U.S. Cl. .... D22/25

[58] Field of Search ..... 242/84.1 R, 84.2 R,  
242/84.2 A; D22/25, 26

[56] References Cited

U.S. PATENT DOCUMENTS

D. 185,730 7/1959 Beger ..... D22/25

D. 234,593 3/1975 Wood ..... D22/25

D. 254,927 5/1980 Morishita ..... D22/25

D. 262,483 12/1981 Miller .

2,896,874 7/1959 Nurmse ..... D22/25 X

2,911,165 11/1959 Sarah ..... D22/25 X

Primary Examiner—A. Hugo Word  
Attorney, Agent, or Firm—Frishauf, Holtz, Goodman  
and Woodward

[57] CLAIM

The ornamental design for a reel for fishing, substan-  
tially as shown and described.

DESCRIPTION

FIG. 1 is a front, top and left side perspective view of a  
reel for fishing showing my new design;  
FIG. 2 is a front elevational view thereof;  
FIG. 3 is a rear elevational view thereof;  
FIG. 4 is a right side elevational view thereof;  
FIG. 5 is a left side elevational view thereof;  
FIG. 6 is a top plan view thereof; and  
FIG. 7 is a bottom plan view thereof.

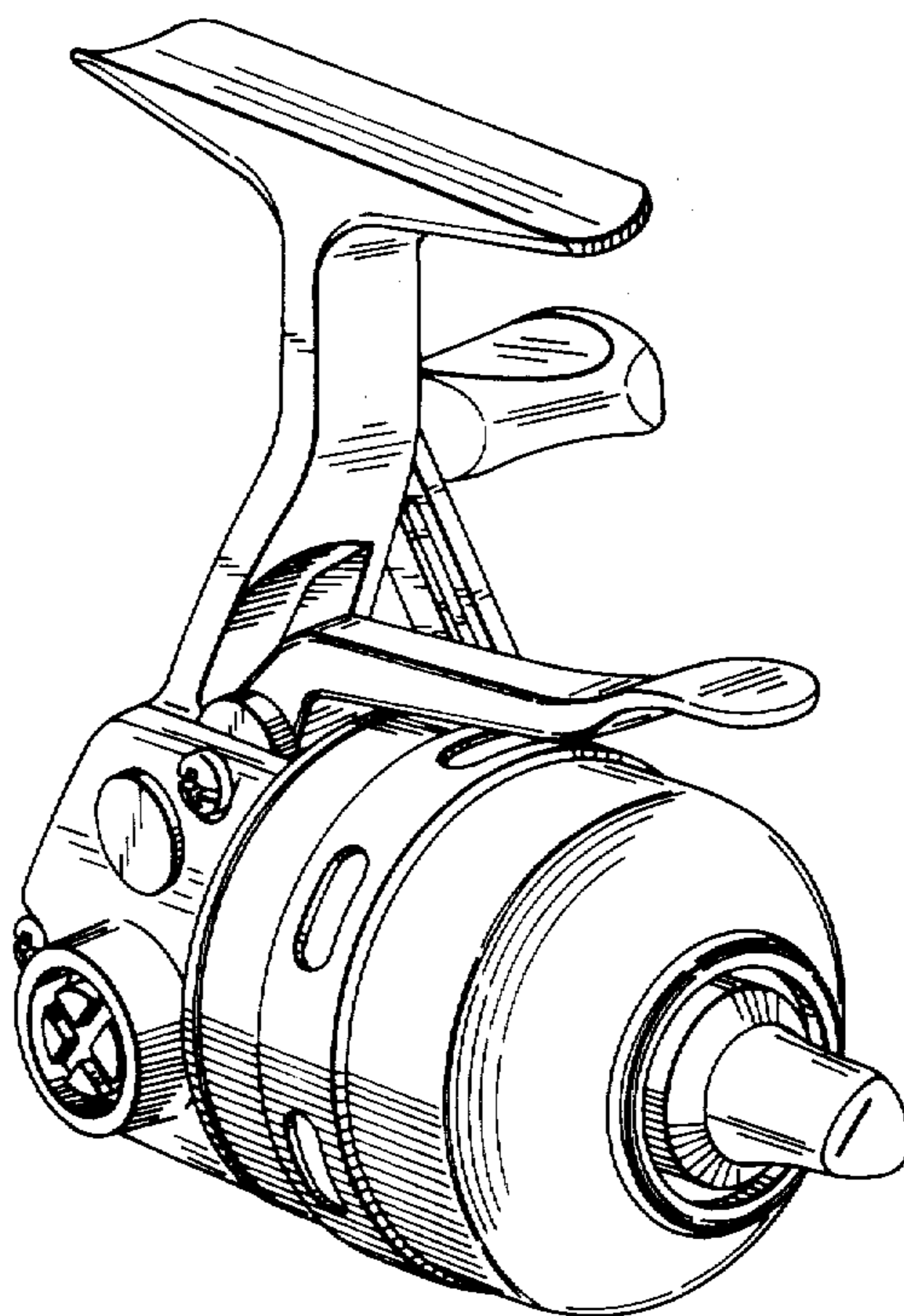


FIG. 1

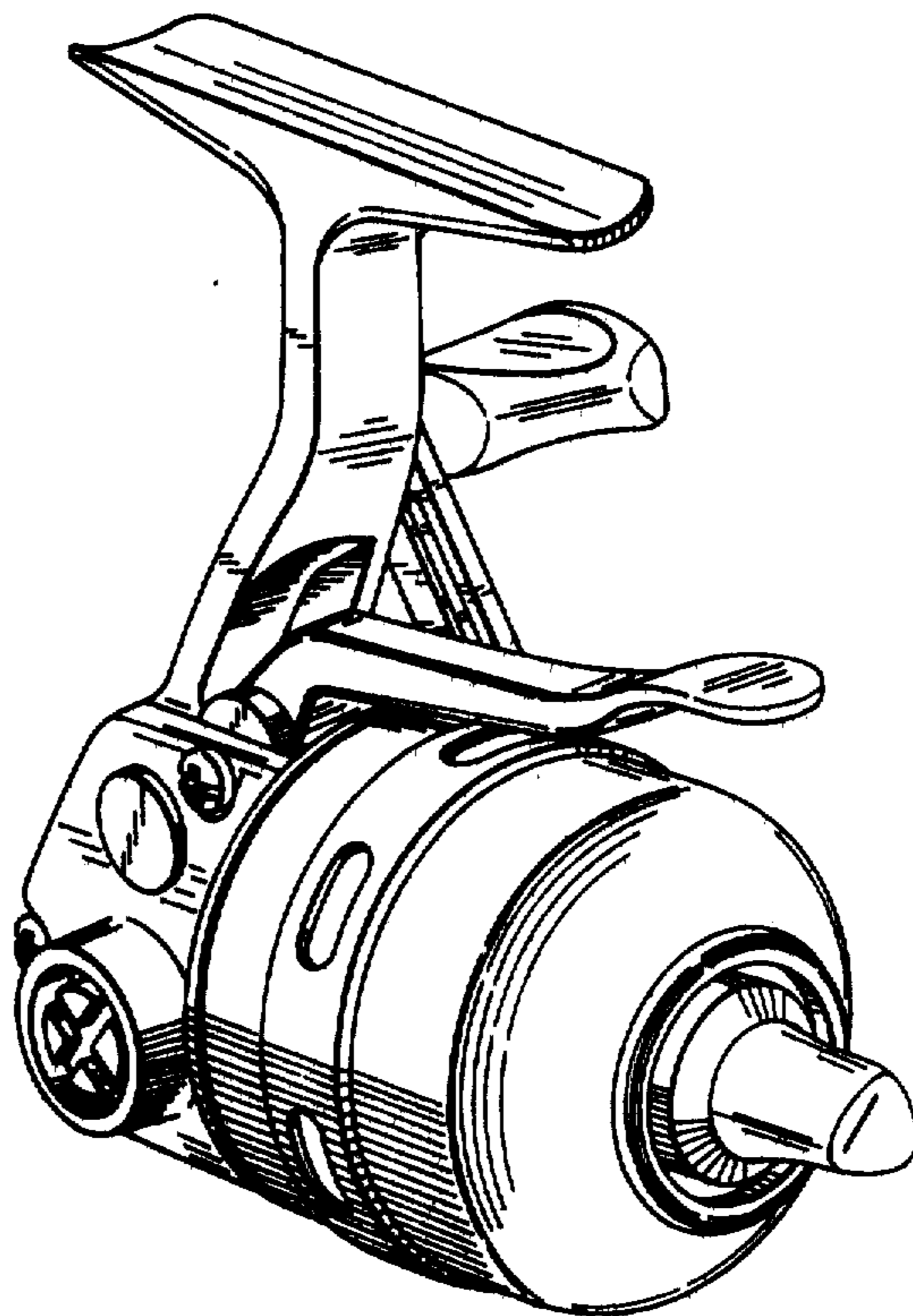


FIG. 2

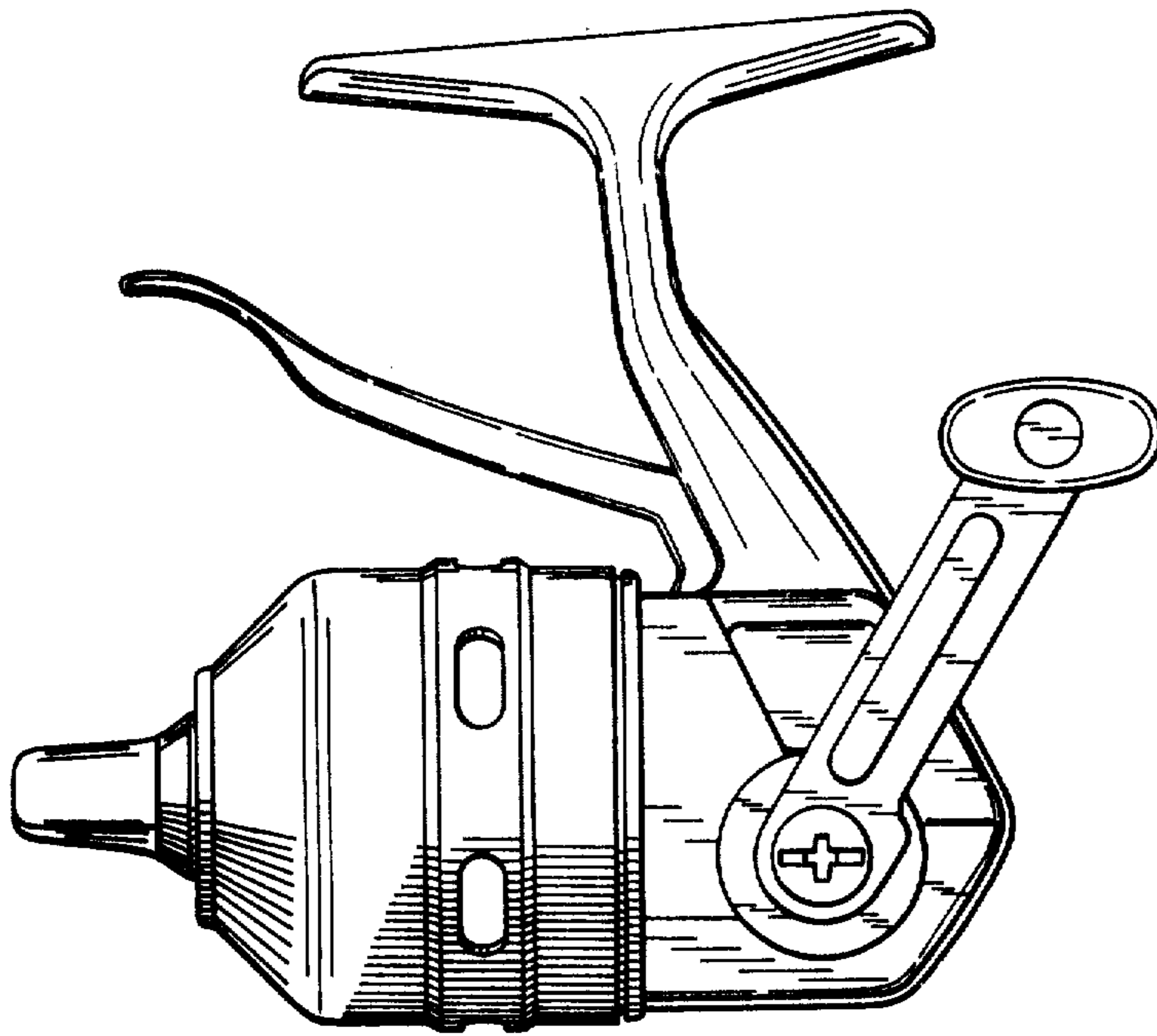


FIG. 3

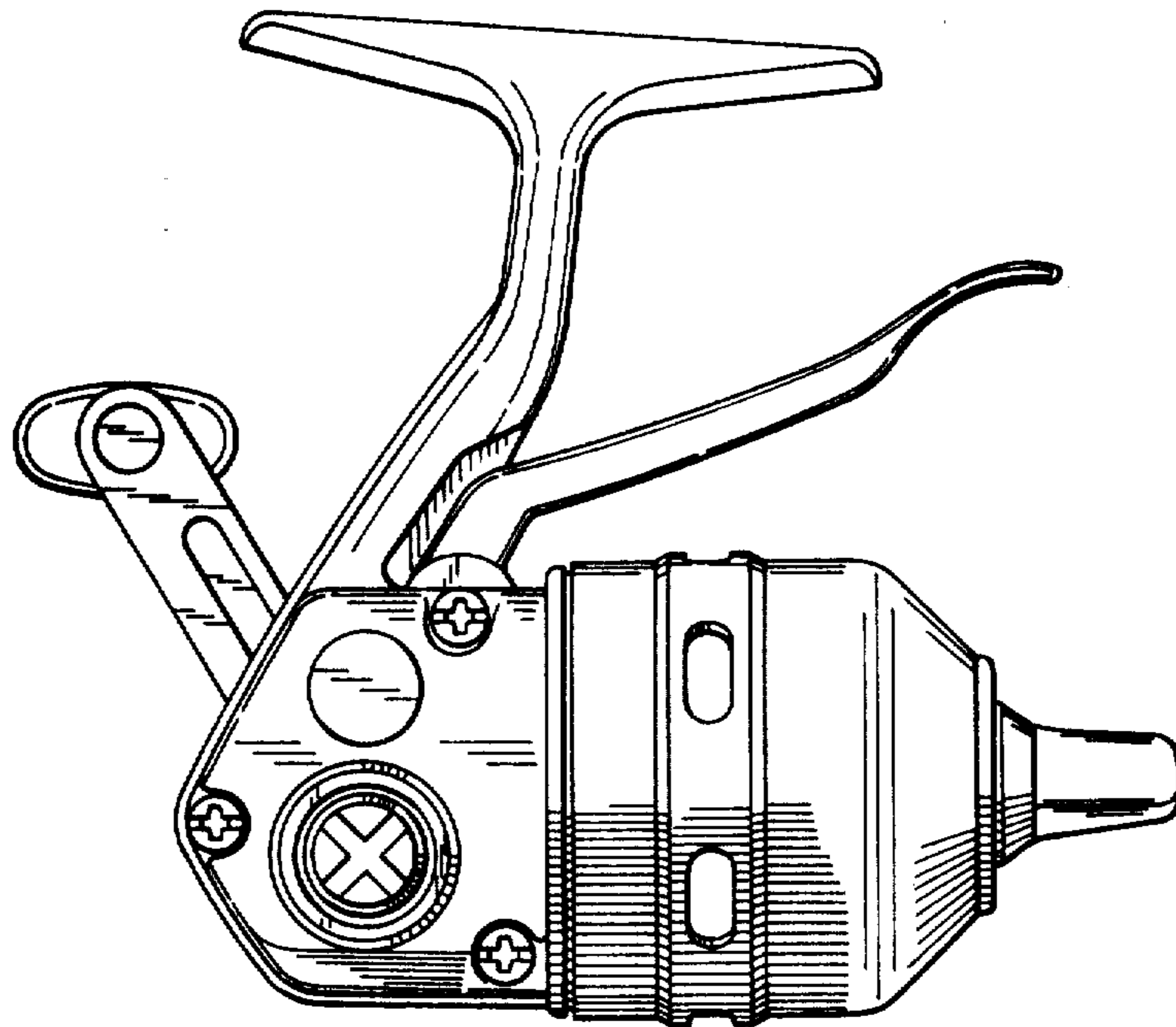


FIG. 4

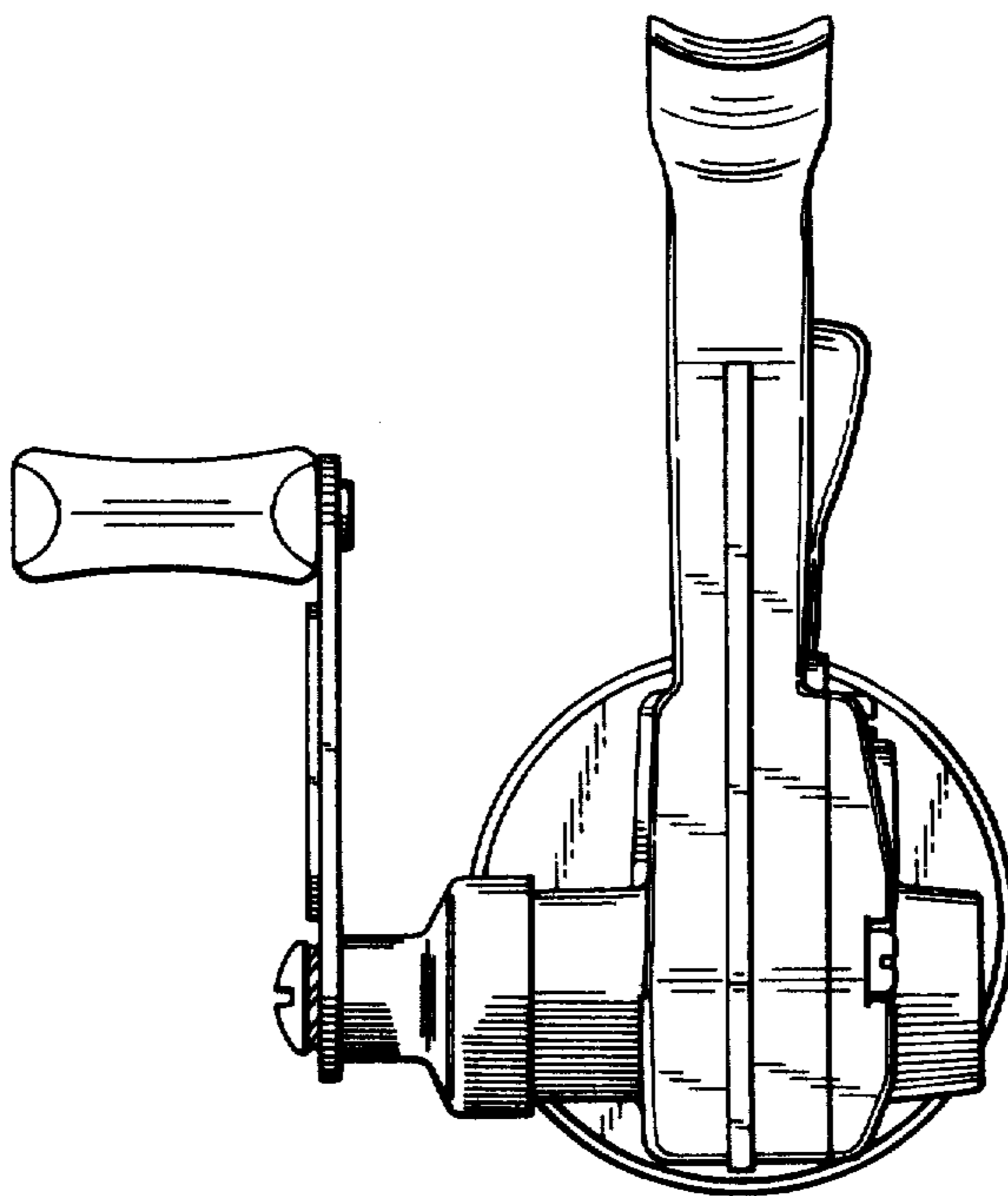


FIG. 5

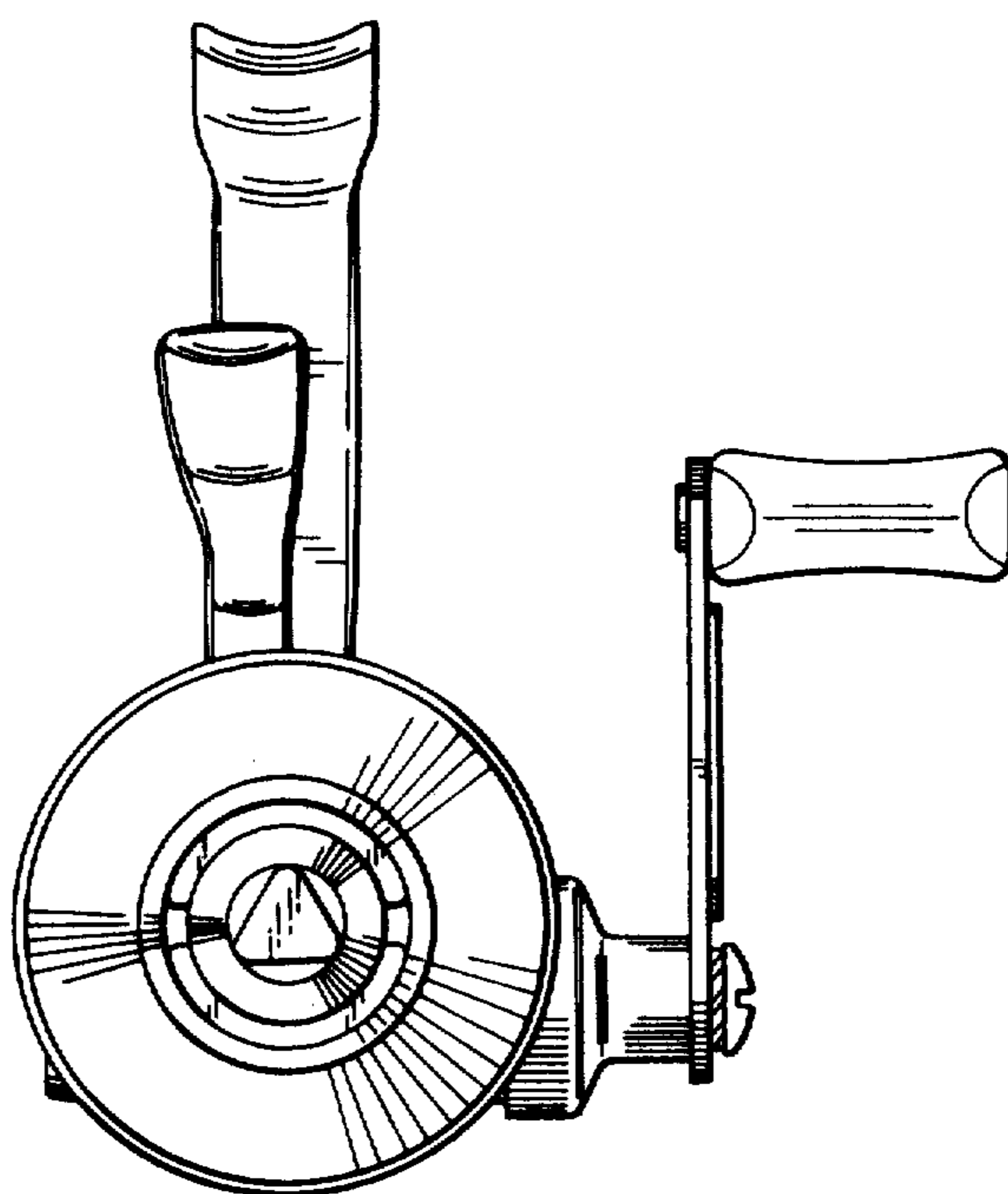


FIG. 6

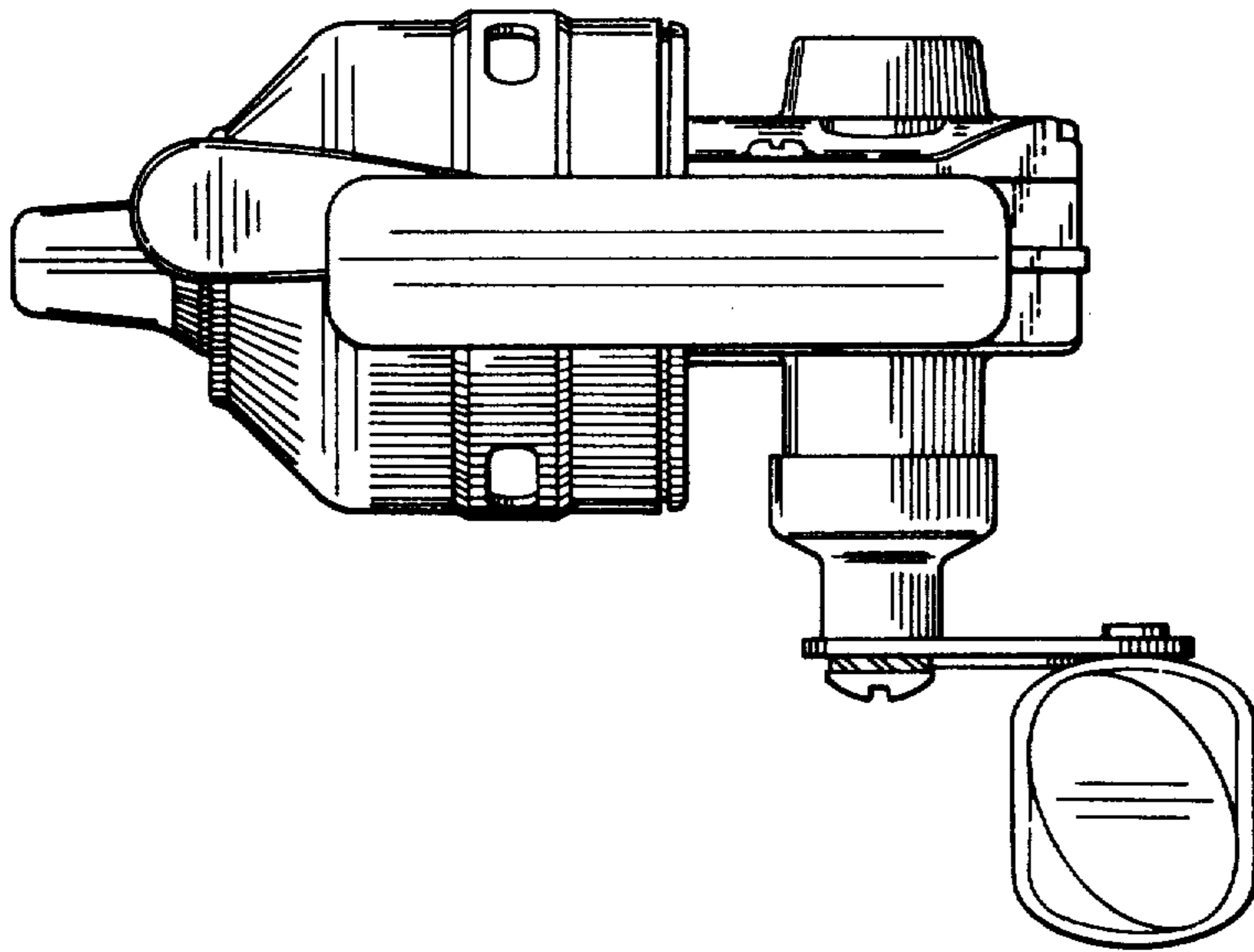


FIG. 7

