

[54] REEL FOR FISHING

[75] Inventor: Kanji Iinuma, Tokyo, Japan

[73] Assignee: Daiwa Seiko, Inc., Tokyo, Japan

[**] Term: 14 Years

[21] Appl. No.: 399,352

[22] Filed: Jul. 19, 1982

[30] Foreign Application Priority Data

Jan. 30, 1982 [JP] Japan 57-3602

[52] U.S. Cl. D22/25

[58] Field of Search 242/84.1 R, 84.2 R,
242/84.2 A; D22/25, 26

[56] References Cited

U.S. PATENT DOCUMENTS

- D. 170,389 9/1953 Shakespeare et al. D22/25
- D. 185,730 7/1959 Beger D22/25
- D. 234,593 3/1975 Wood D22/25

- D. 254,927 5/1980 Morishita D22/25
- D. 260,166 8/1981 Myojo D22/25
- D. 262,483 12/1981 Miller .
- 2,896,874 7/1959 Nurmse D22/25 X
- 3,176,930 4/1965 Miller et al. D22/25 X

Primary Examiner—A. Hugo Word
Attorney, Agent, or Firm—Frishauf, Holtz, Goodman
and Woodward

[57] CLAIM

The ornamental design for a reel for fishing, substantially as shown and described.

DESCRIPTION

FIG. 1 is a front, top and left side perspective view of a reel for fishing showing my new design; FIG. 2 is a front elevational view thereof; FIG. 3 is a rear elevational view thereof; FIG. 4 is a right side elevational view thereof; FIG. 5 is a left side elevational view thereof; FIG. 6 is a top plan view thereof; and FIG. 7 is a bottom plan view thereof.

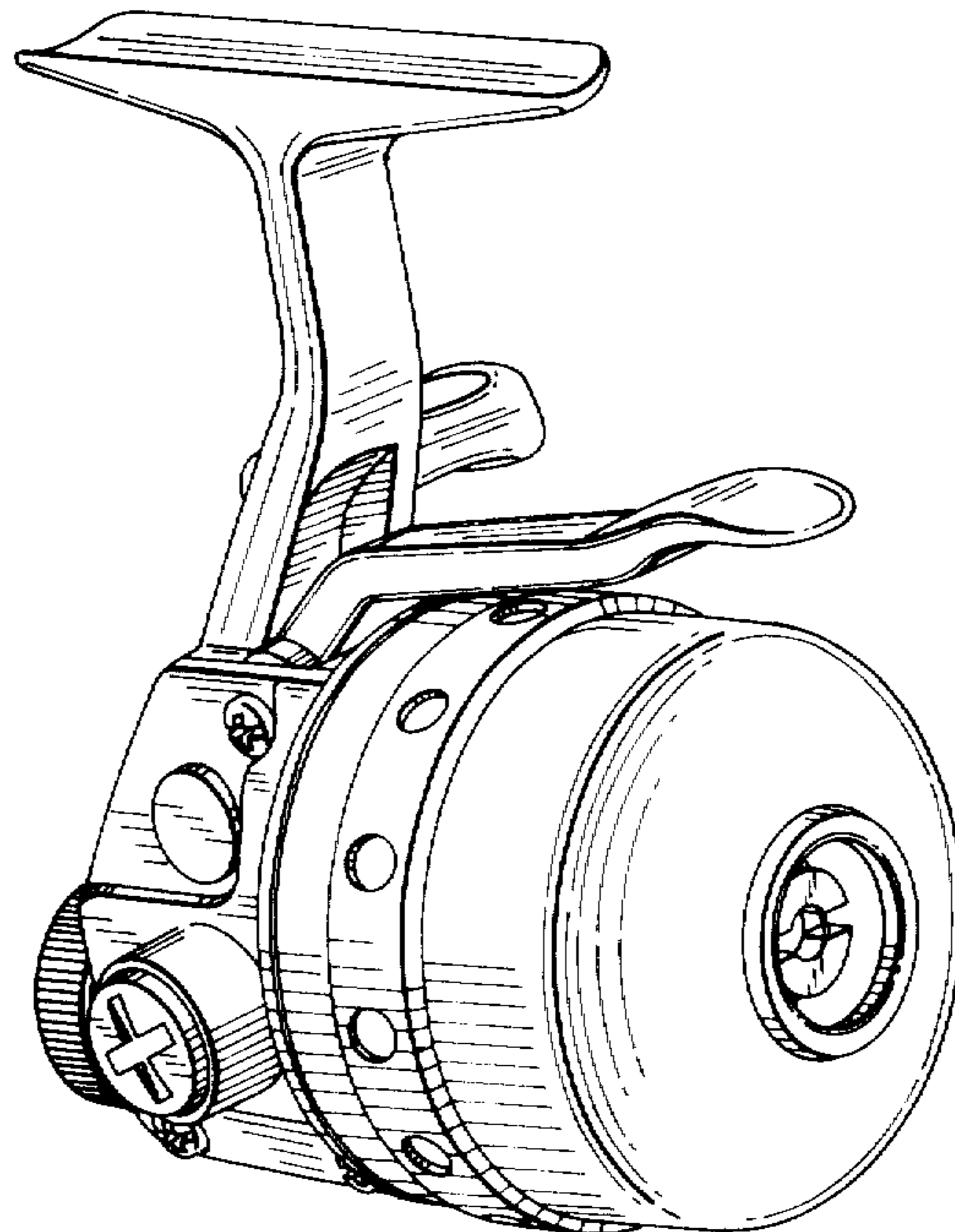


FIG. 1

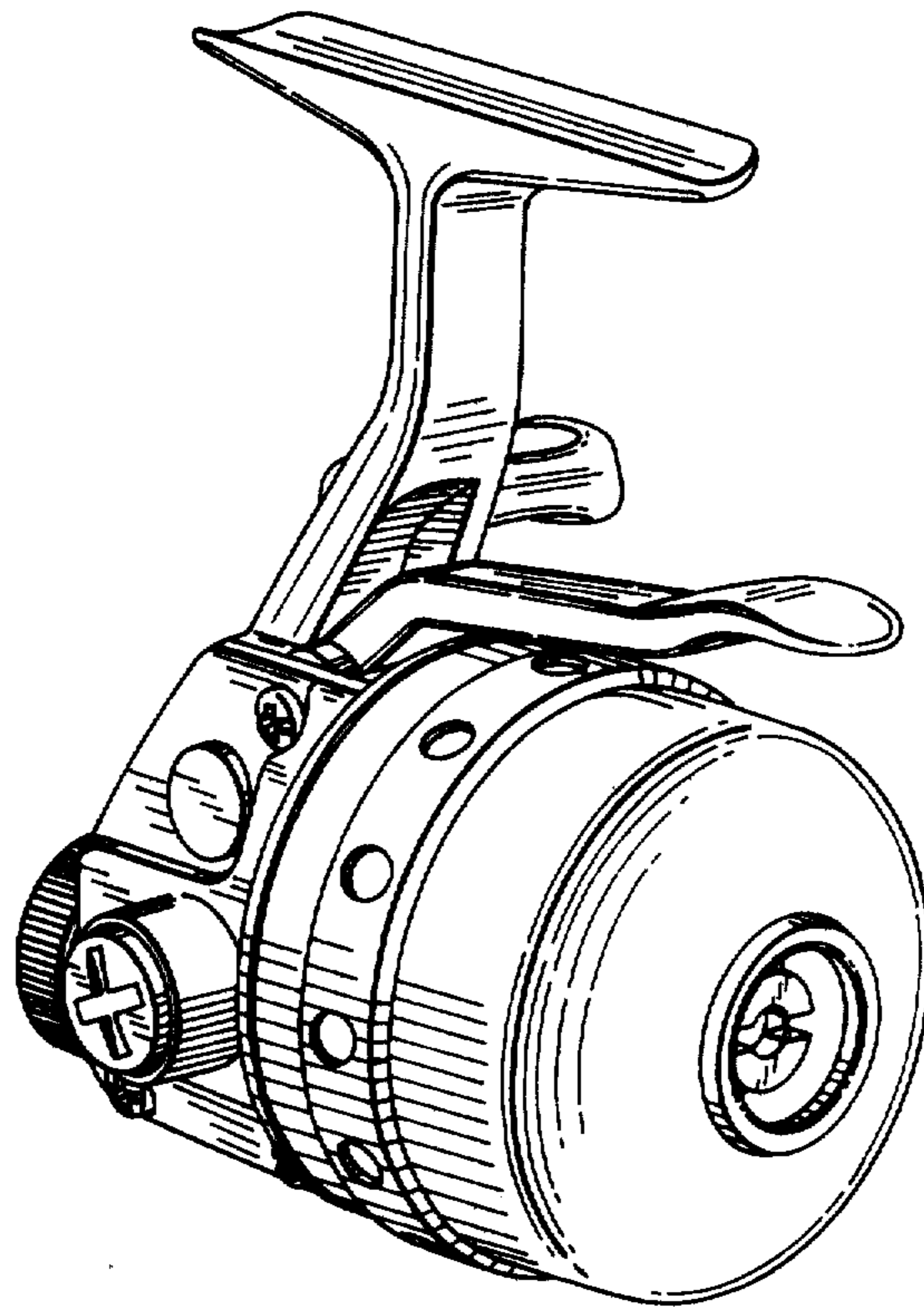


FIG. 2

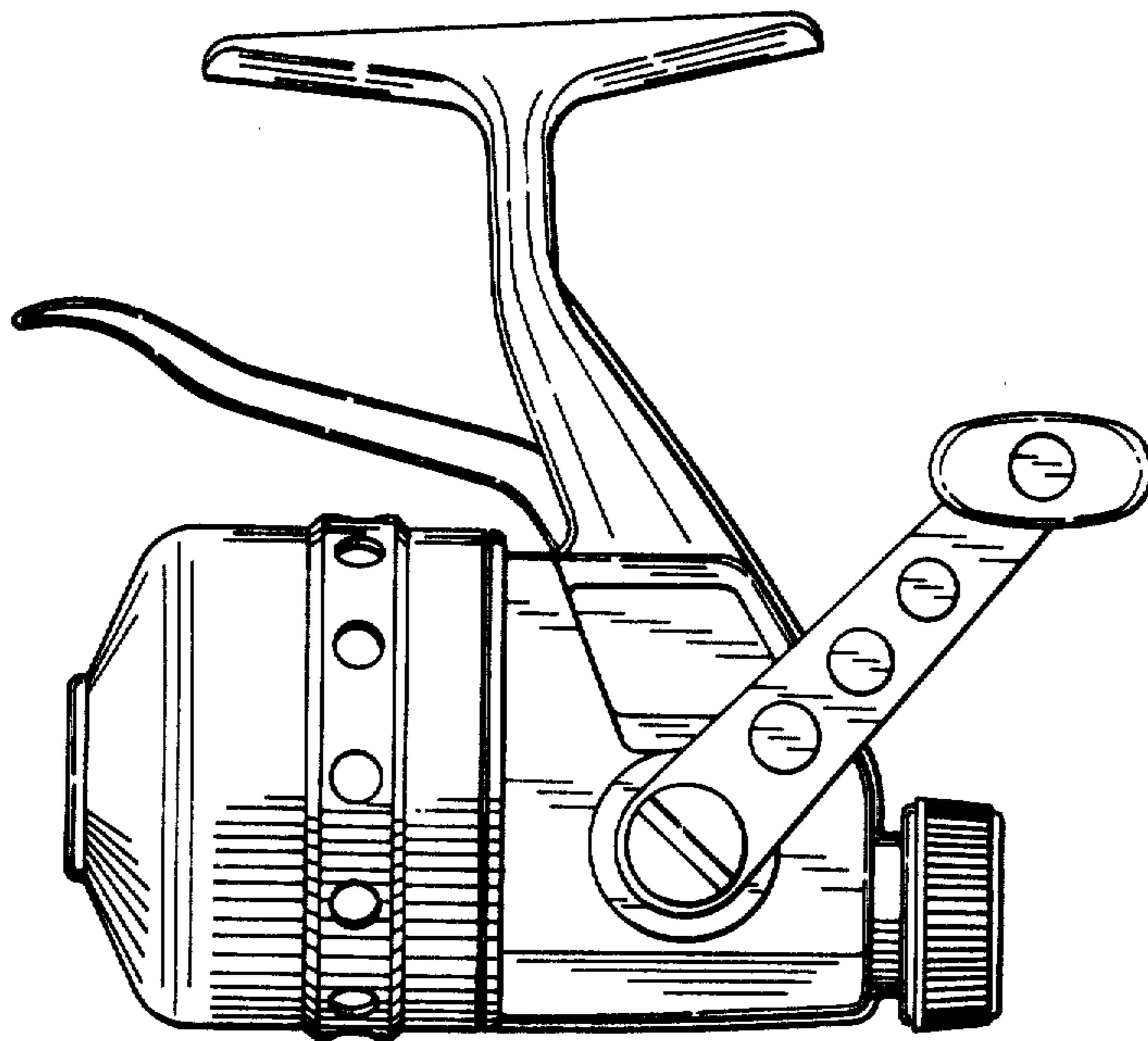


FIG. 3

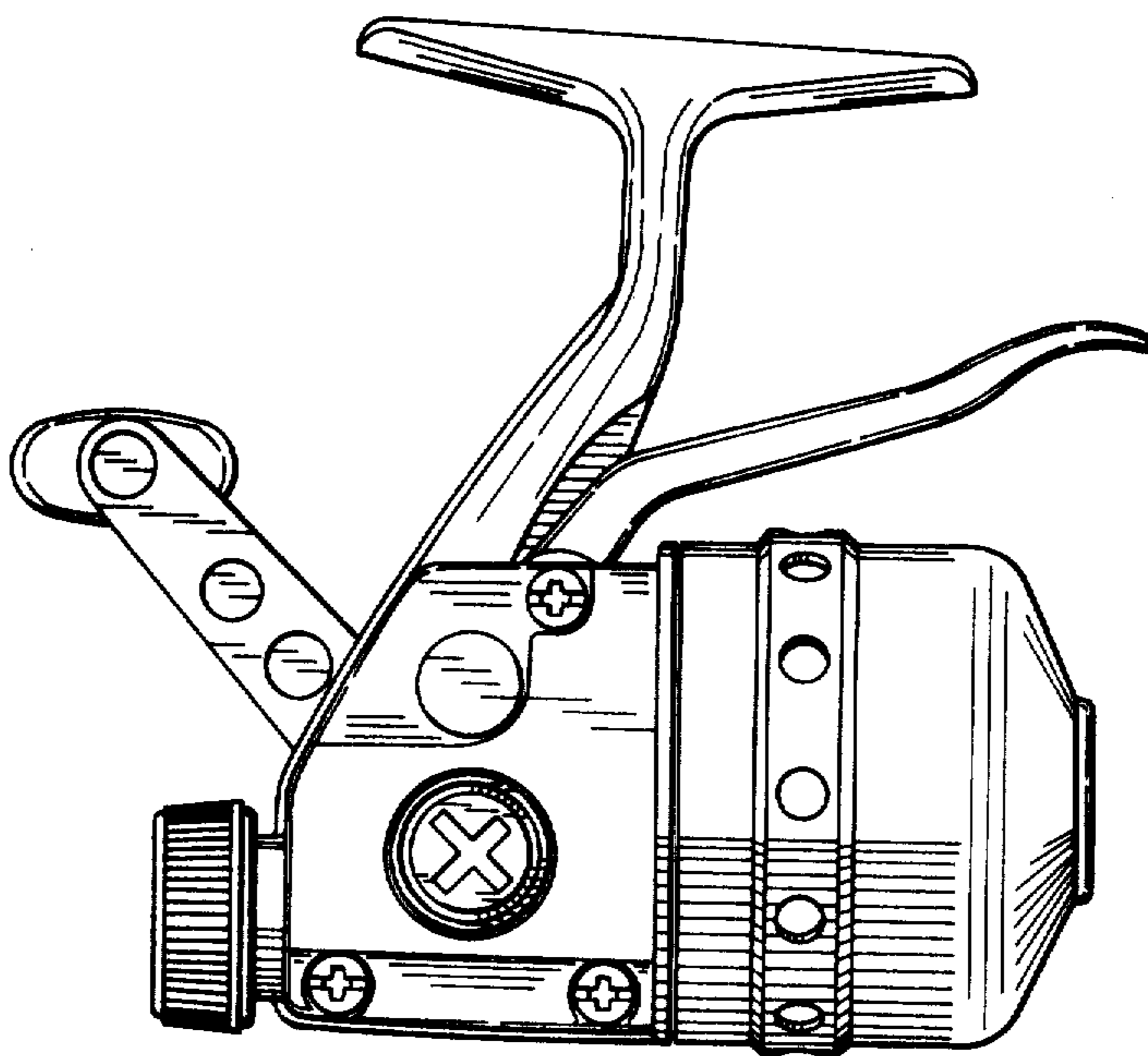


FIG. 4

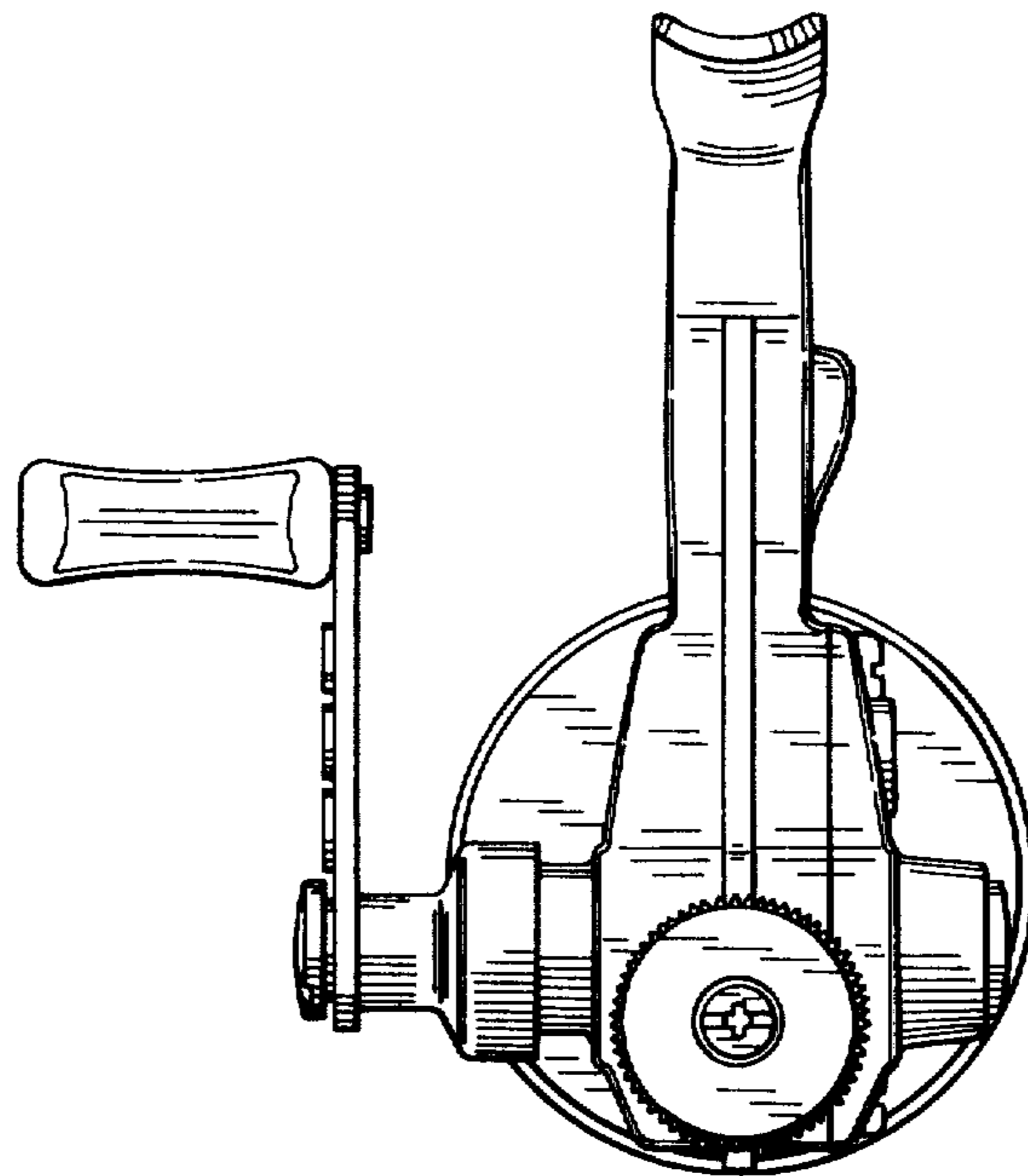


FIG. 5

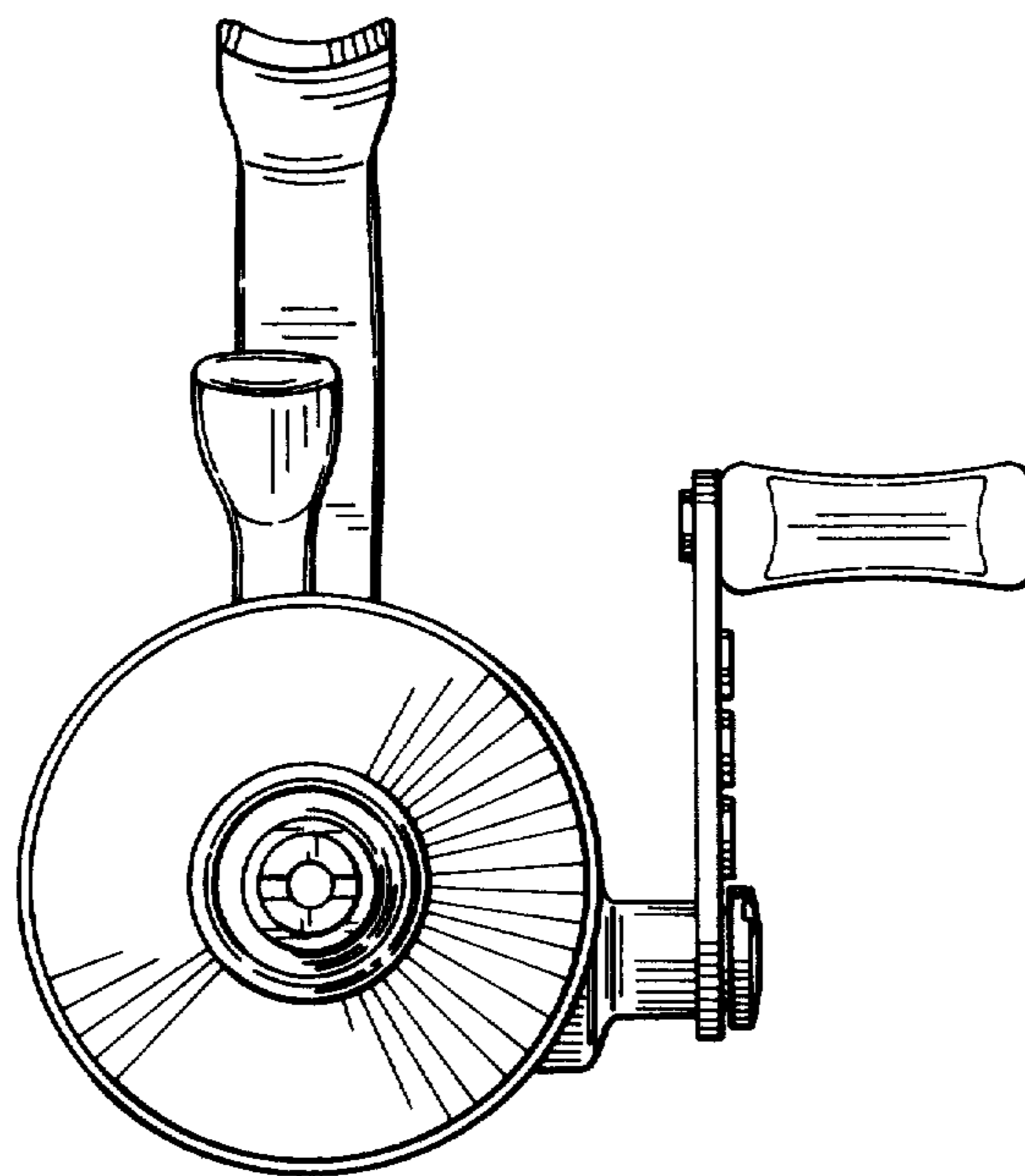


FIG. 6

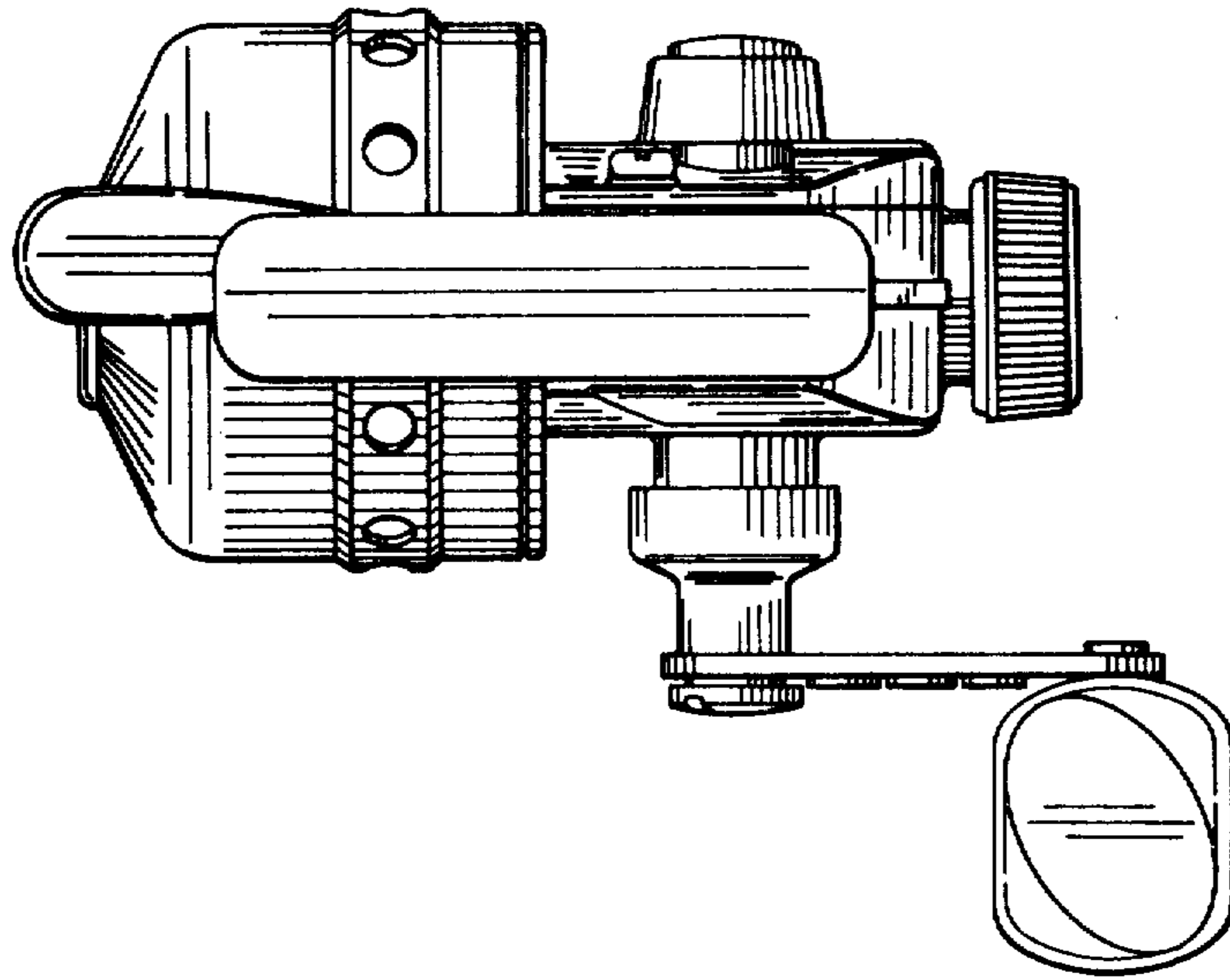


FIG. 7

