

[54] REEL FOR FISHING

D. 256,494 8/1980 Okada D22/25
D. 257,168 9/1980 Okada D22/25

[75] Inventors: Takashi Atobe, Higashikurume;
Kanji Iinuma, Musashino, both of
Japan

FOREIGN PATENT DOCUMENTS

56-8538 10/1981 Japan .

[73] Assignee: Daiwa Seiko, Inc., Tokyo, Japan

Primary Examiner—A. Hugo Word
Attorney, Agent, or Firm—Frishauf, Holtz, Goodman
and Woodward

[**] Term: 14 Years

[21] Appl. No.: 388,708

[57] CLAIM

[22] Filed: Jun. 15, 1982

The ornamental design for reel for fishing, substantially
as shown and described.

[30] Foreign Application Priority Data

DESCRIPTION

Dec. 29, 1981 [JP] Japan 56-58708

[52] U.S. Cl. D22/25

[58] Field of Search 242/84.1 R, 84.2 R,
242/84.2 A; D22/25, 26

FIG. 1 is a front, top and left side perspective view of a
reel for fishing showing our new design;
FIG. 2 is a front elevational view thereof;
FIG. 3 is a rear elevational view thereof;
FIG. 4 is a right side elevational view thereof;
FIG. 5 is a left side elevational view thereof;
FIG. 6 is a top plan view thereof; and
FIG. 7 is a bottom plan view thereof.

[56] References Cited

U.S. PATENT DOCUMENTS

D. 247,627 3/1978 Takeuchi D22/25

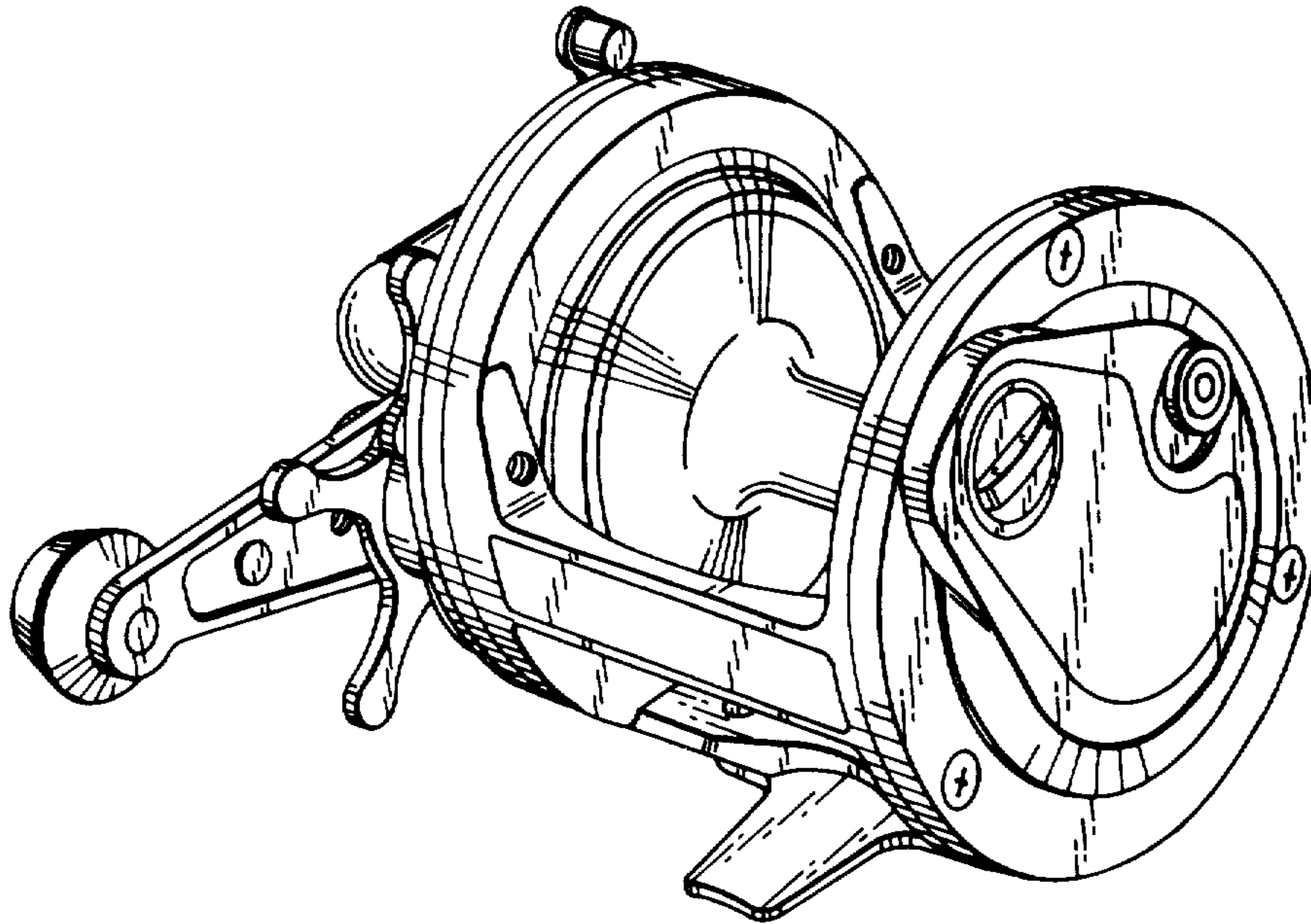


FIG. 1

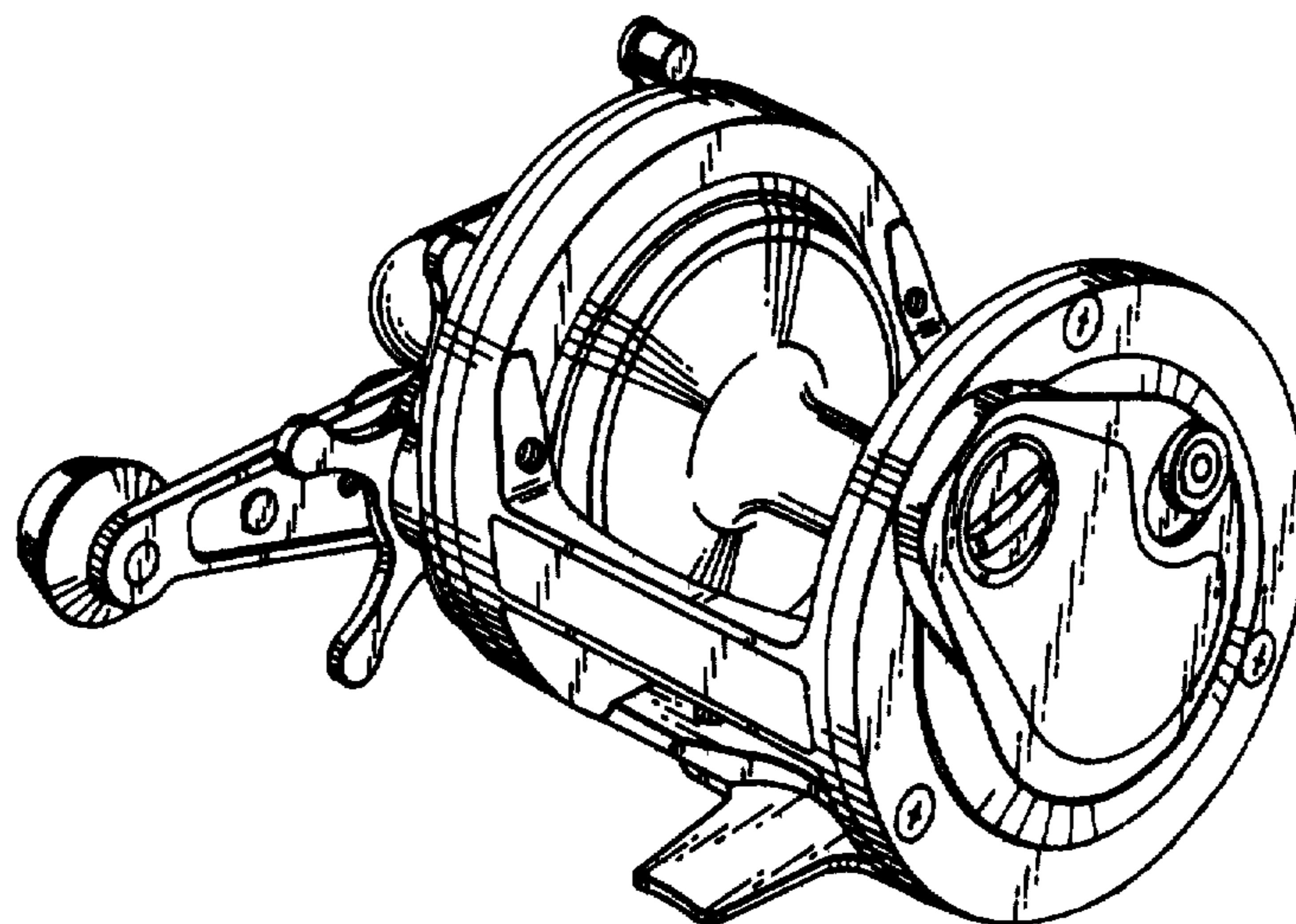


FIG. 2

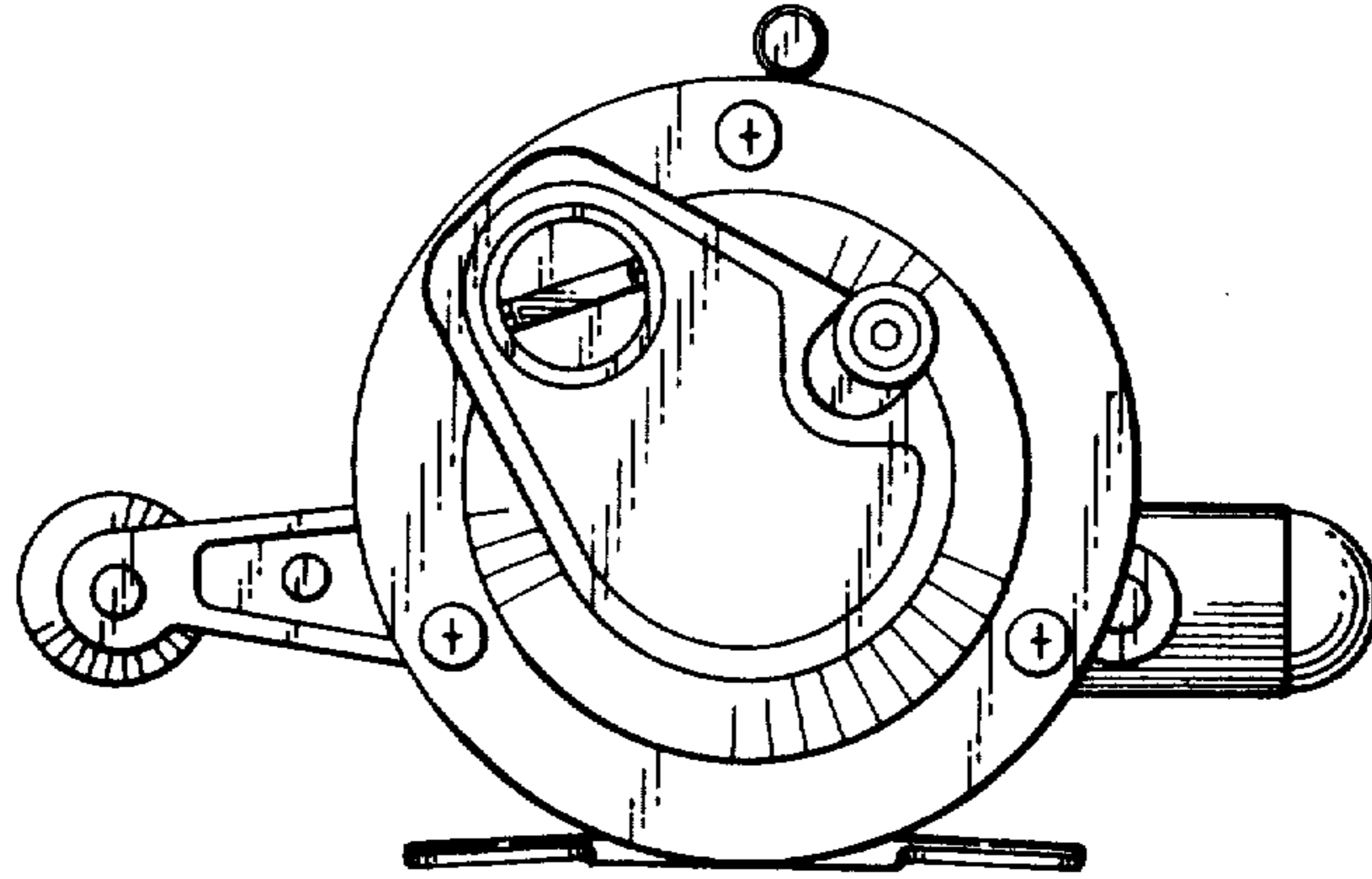


FIG. 3

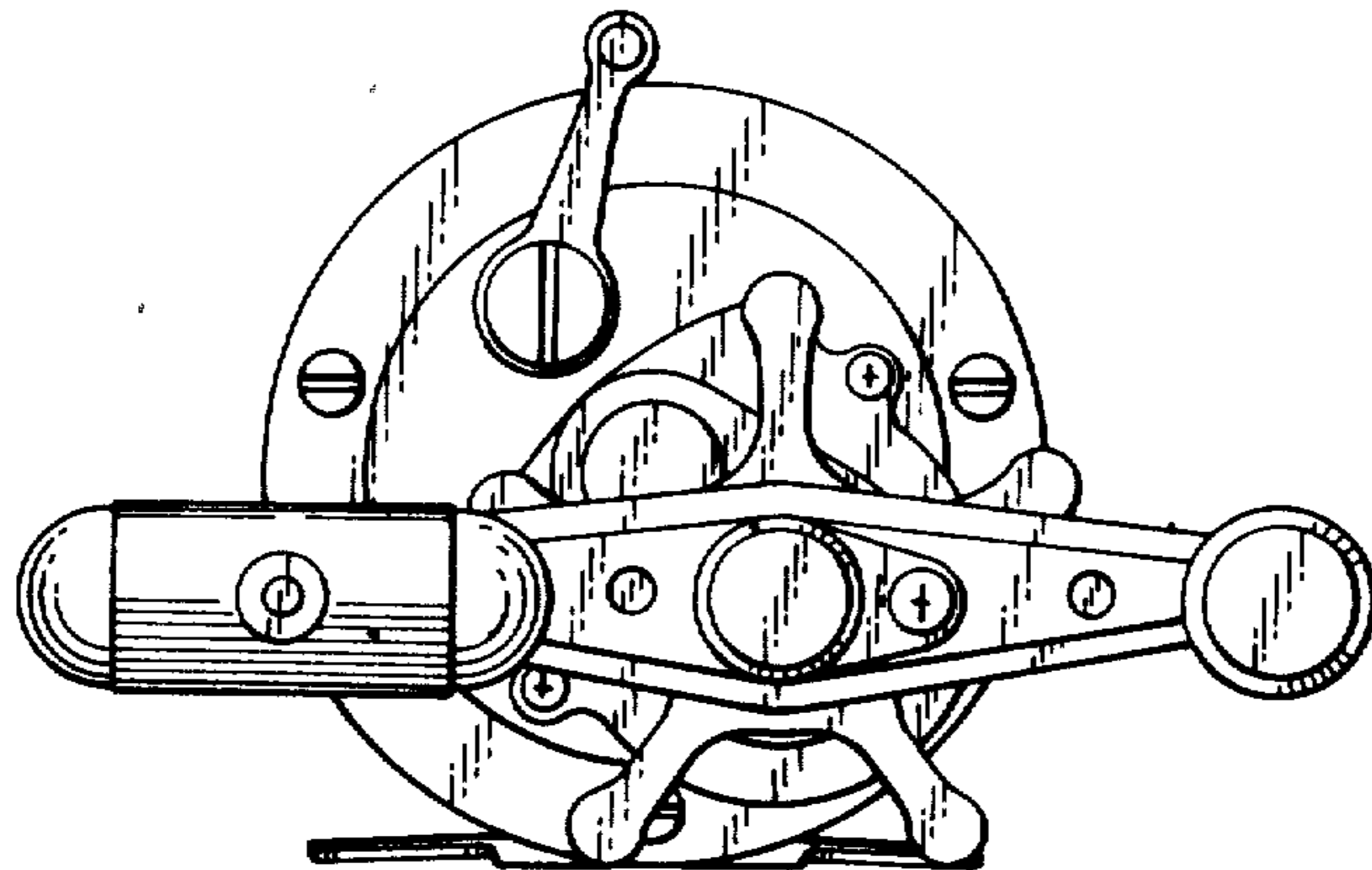


FIG. 4

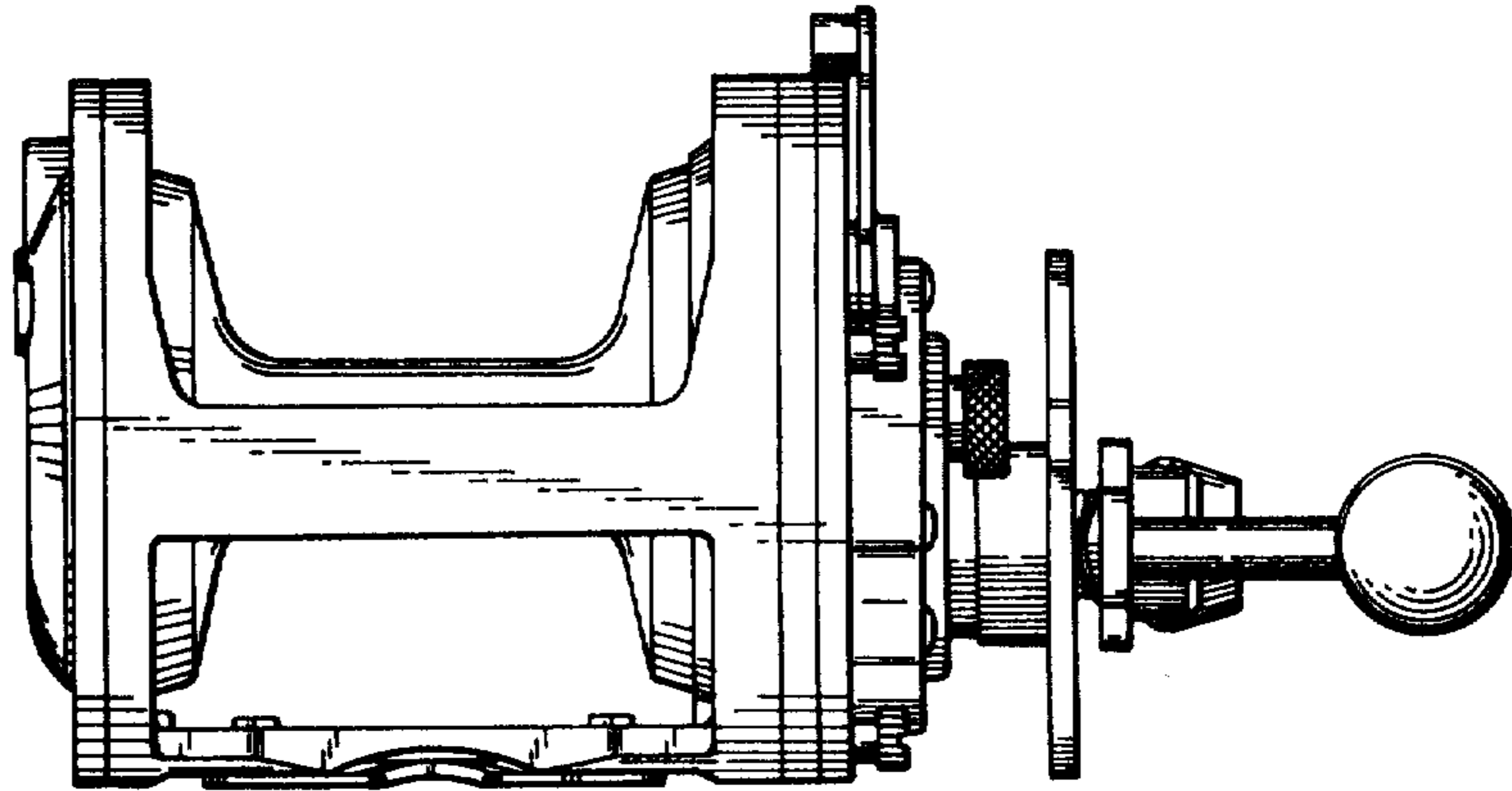


FIG. 5

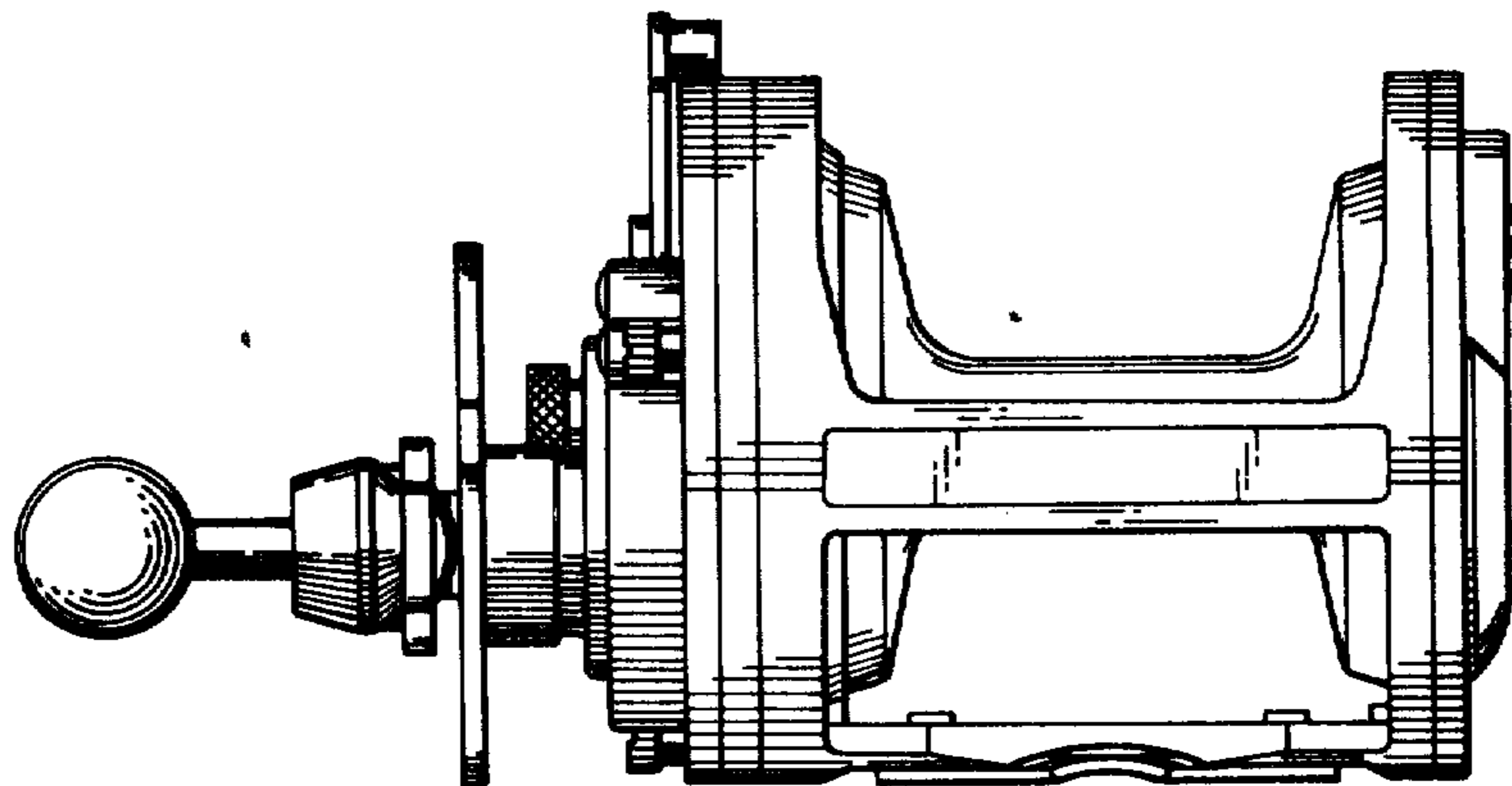


FIG. 7

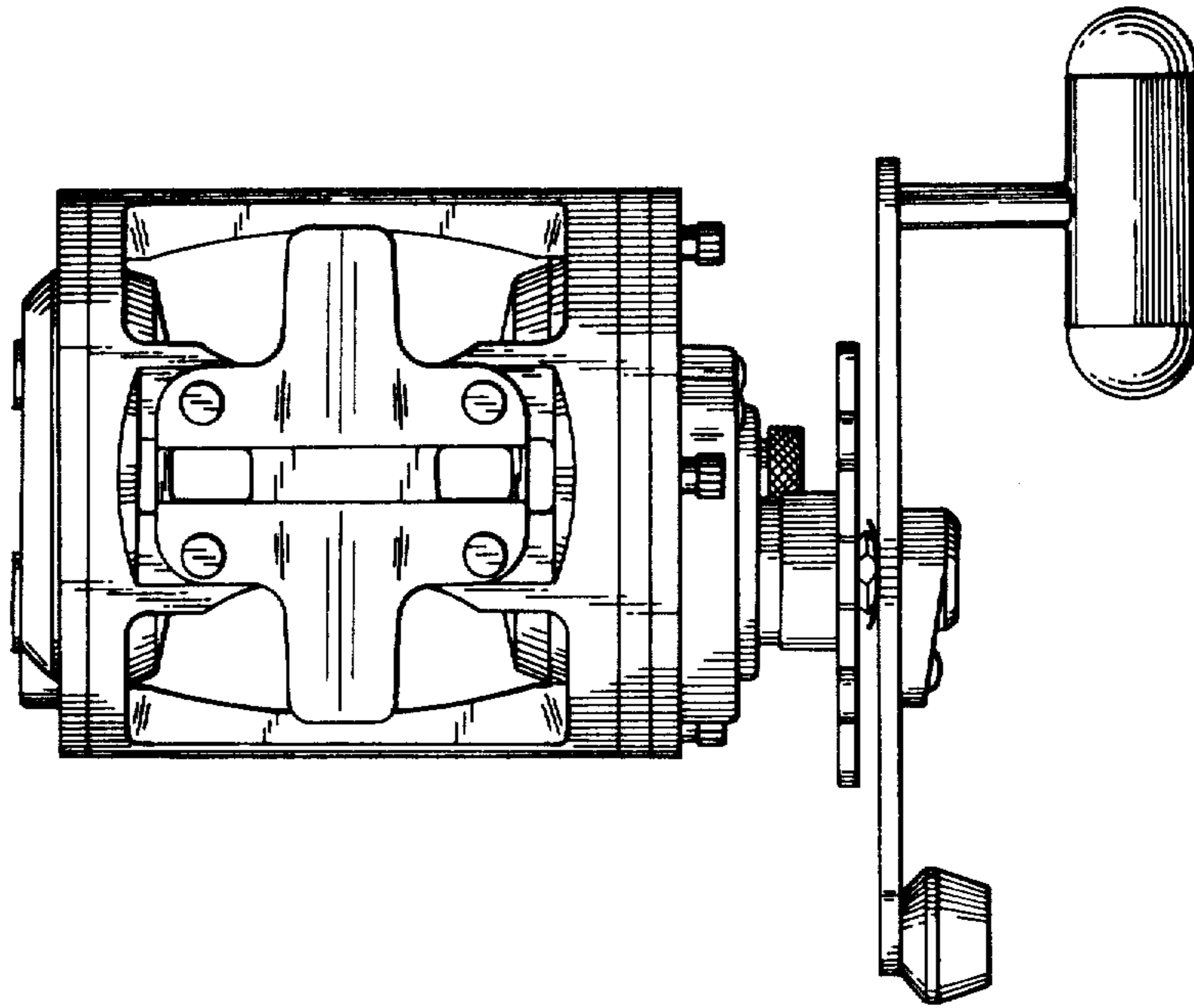


FIG. 6

