

[54] ACTION PULL TOY

[75] Inventor: John T. Sahler, East Aurora, N.Y.

[73] Assignee: The Quaker Oats Company, Chicago, Ill.

[**] Term: 14 Years

[21] Appl. No.: 345,626

[22] Filed: Feb. 4, 1982

[52] U.S. Cl. D21/150

[58] Field of Search D21/150, 185, 148; 46/103, 104

D. 196,443 10/1963 Irwin D21/150
D. 225,165 11/1972 Doe D21/59

OTHER PUBLICATIONS

Sears Xmas Cat., 1980, p. 567, middle left, item 3, lady-bug.

Primary Examiner—Melvin B. Feifer
Attorney, Agent, or Firm—Cumpston & Shaw

[57] CLAIM

The ornamental design for an action pull toy, substantially as shown and described.

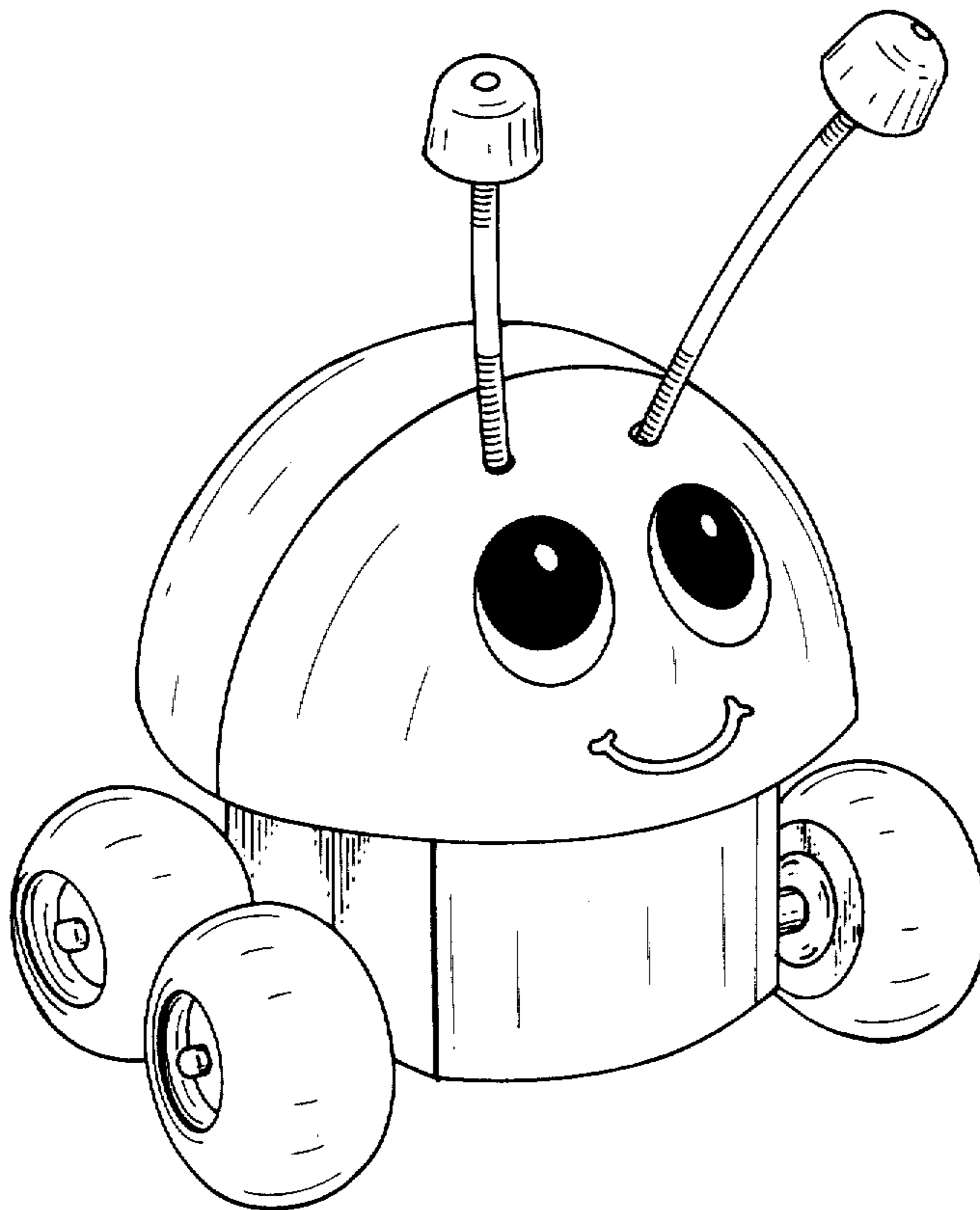
DESCRIPTION

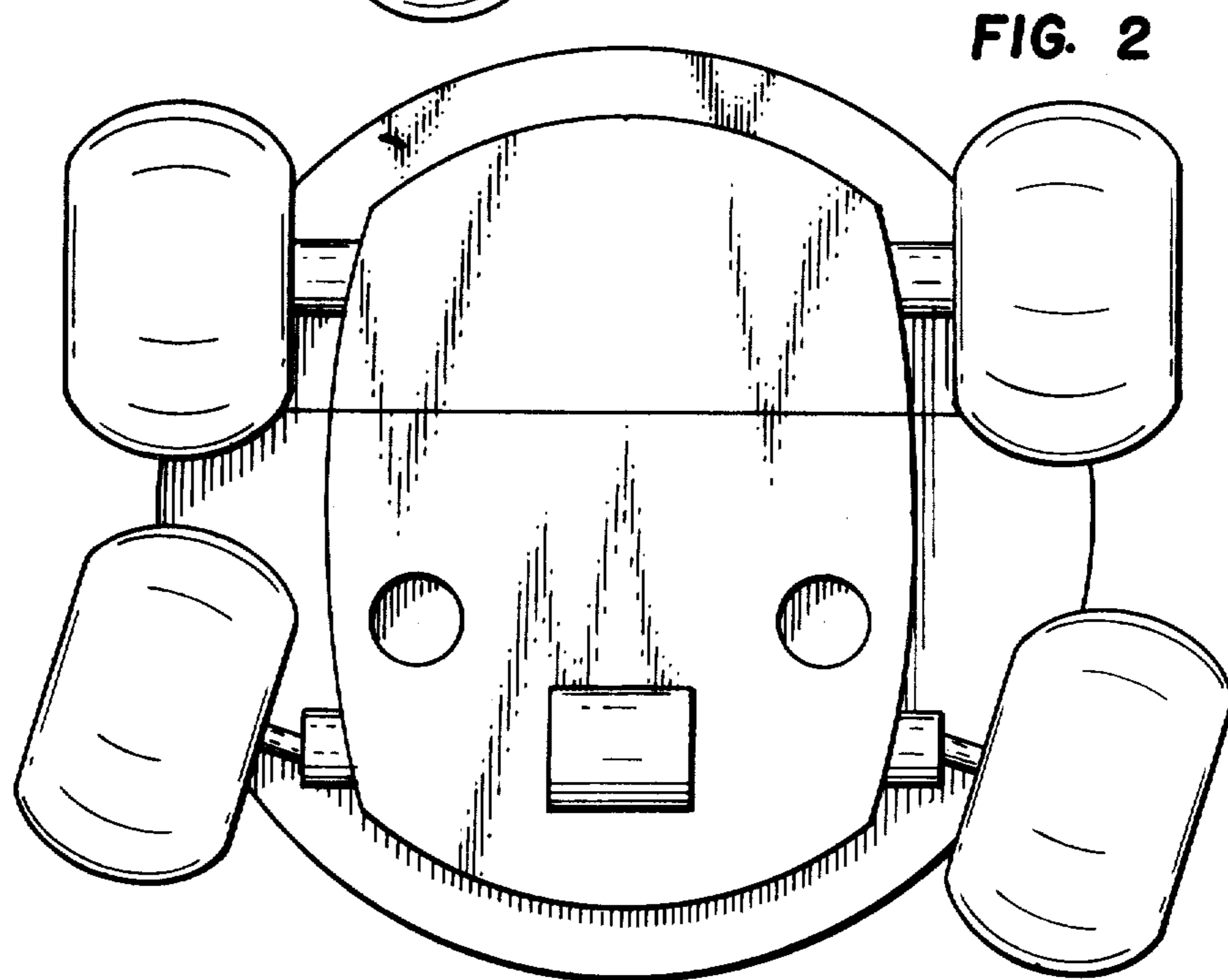
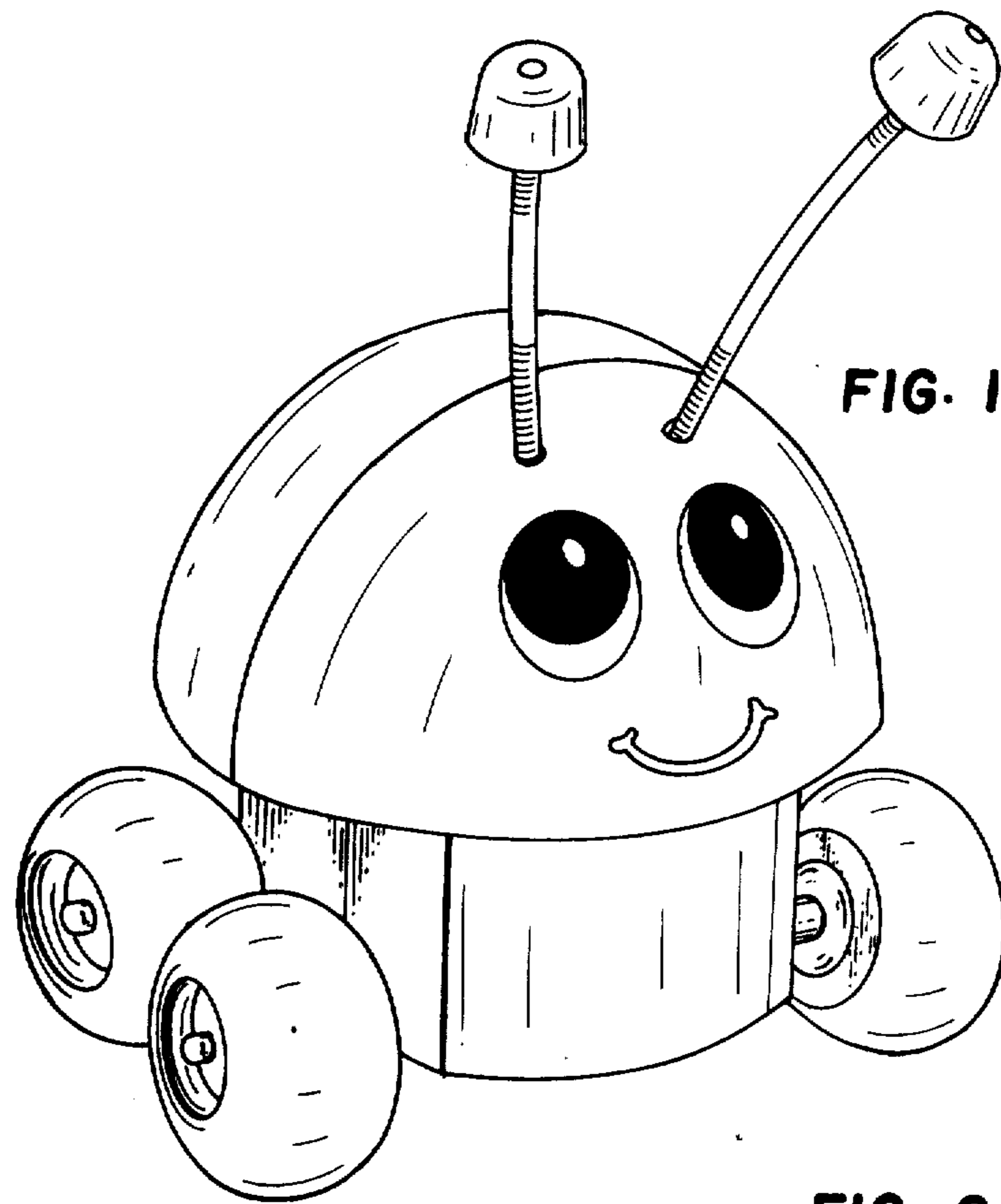
FIG. 1 is a front perspective view of an action pull toy showing my new design; FIG. 2 is a bottom plan view thereof; and FIG. 3 is a rear elevational view thereof.

[56] References Cited

U.S. PATENT DOCUMENTS

D. 180,717 7/1957 Jones et al. D21/150





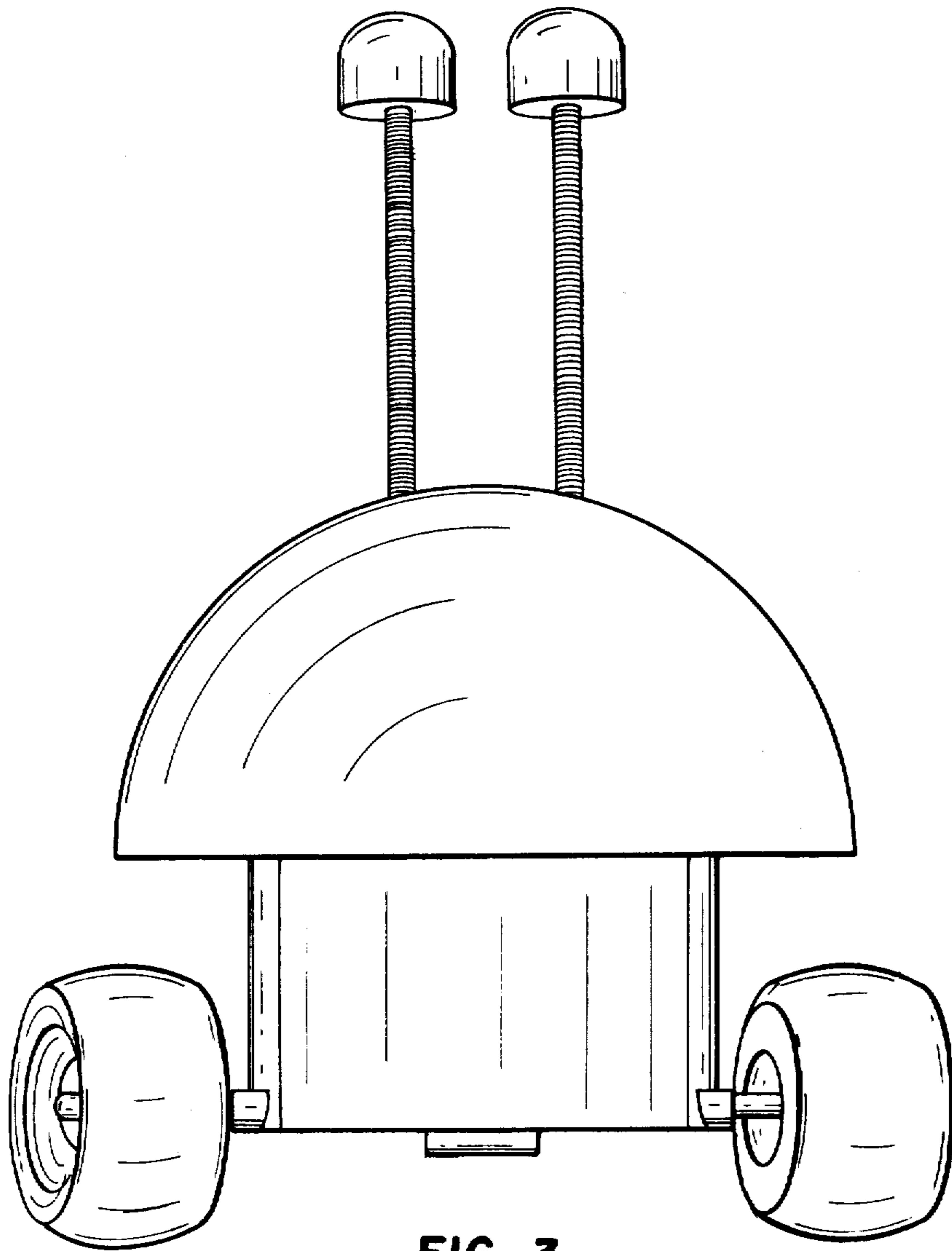


FIG. 3