

[54] TOY DISH DRAINER

- [75] Inventor: **Augusto Argandona**, East Aurora, N.Y.
- [73] Assignee: **The Quaker Oats Company**, Chicago, Ill.
- [\*\*] Term: **14 Years**
- [21] Appl. No.: **346,107**
- [22] Filed: **Feb. 5, 1982**
- [52] U.S. Cl. .... **D21/121; D7/47; D32/55**
- [58] Field of Search ..... **D21/121, 122, 59; D7/47; D32/55, 43, 44, 45**

References Cited

U.S. PATENT DOCUMENTS

- D. 165,610 1/1952 Sandberg ..... D32/55
- D. 209,159 11/1967 Kesilman et al. .... D32/55

OTHER PUBLICATIONS

Sears Xmas Cat., 1980, p. 535, middle right, Table top Kitchen Center, dish drainer.

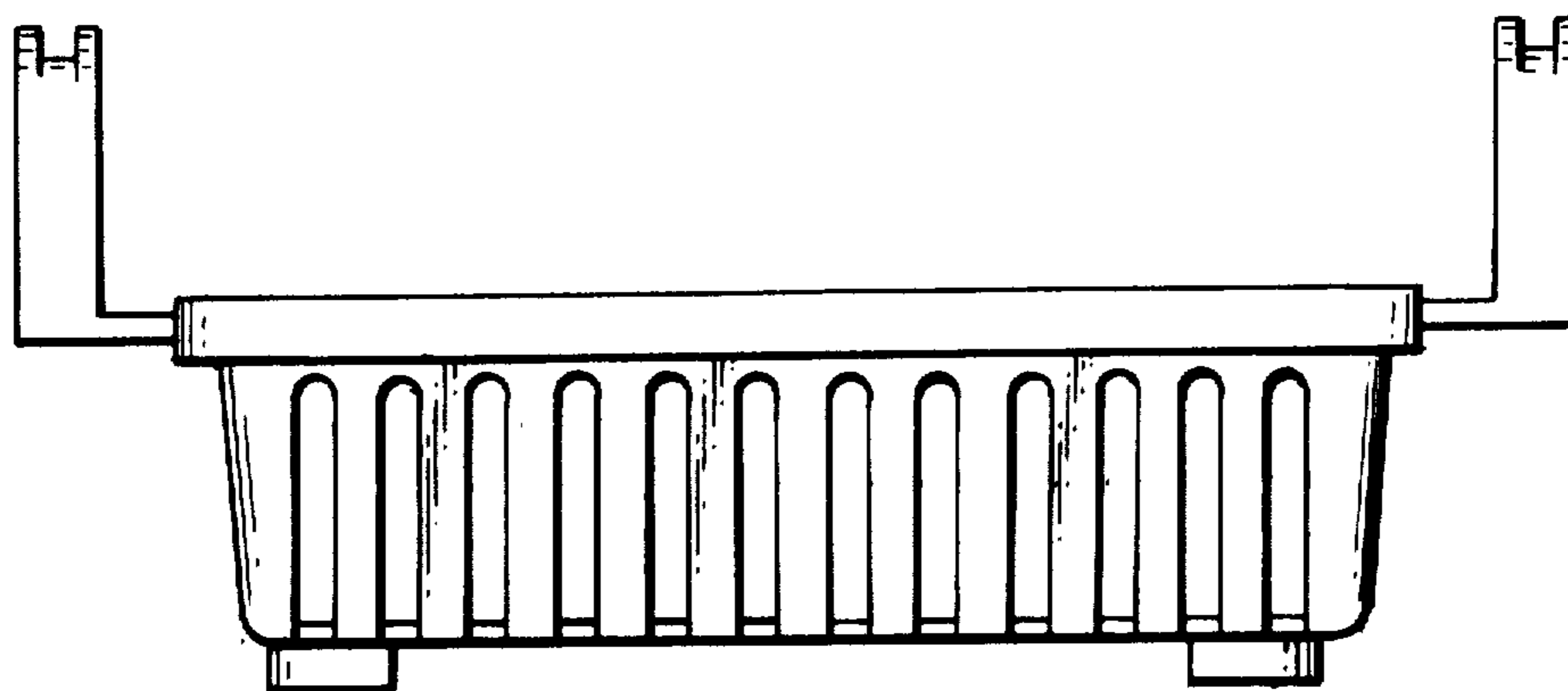
*Primary Examiner*—Melvin B. Feifer  
*Attorney, Agent, or Firm*—Cumpston & Shaw

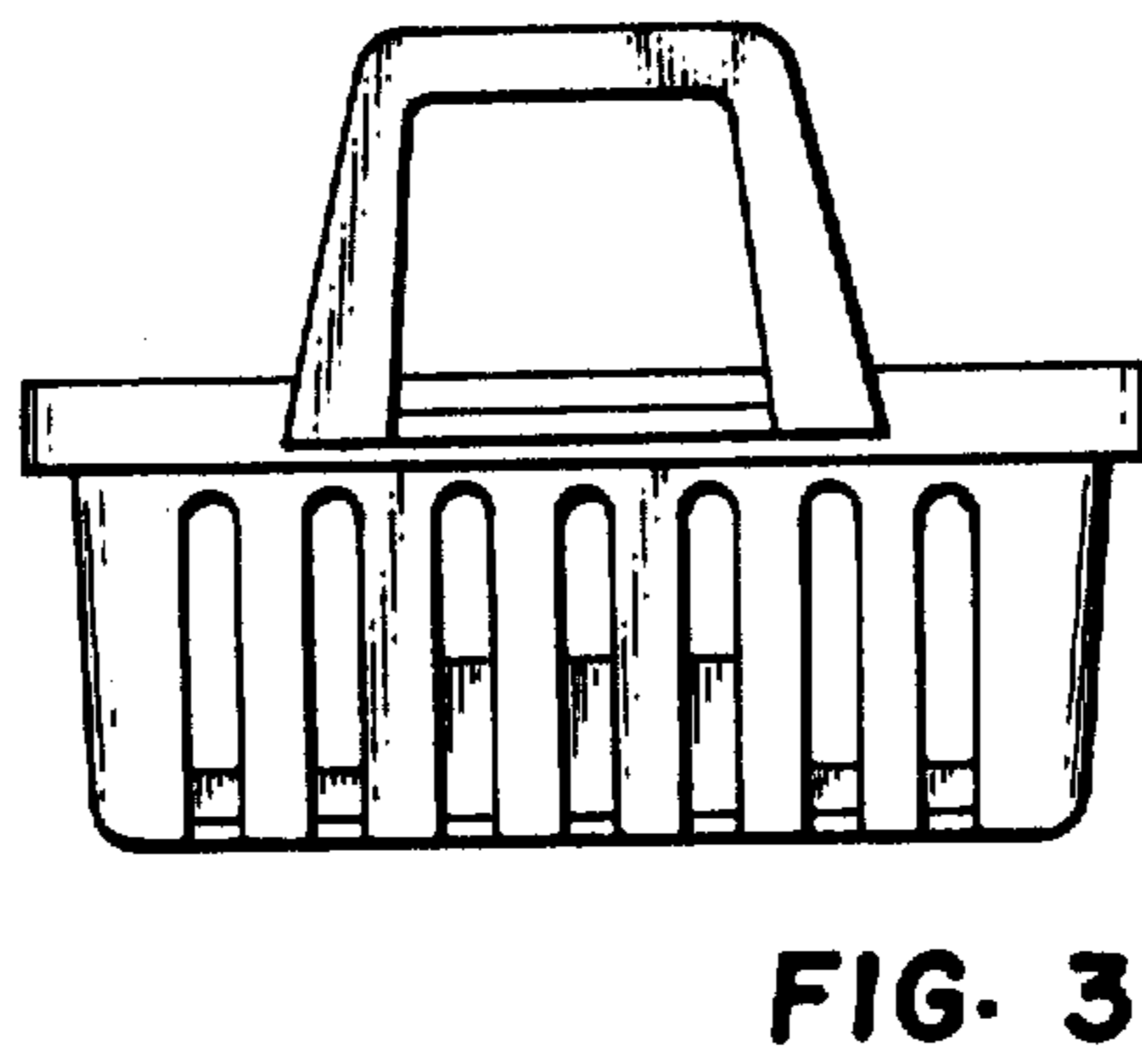
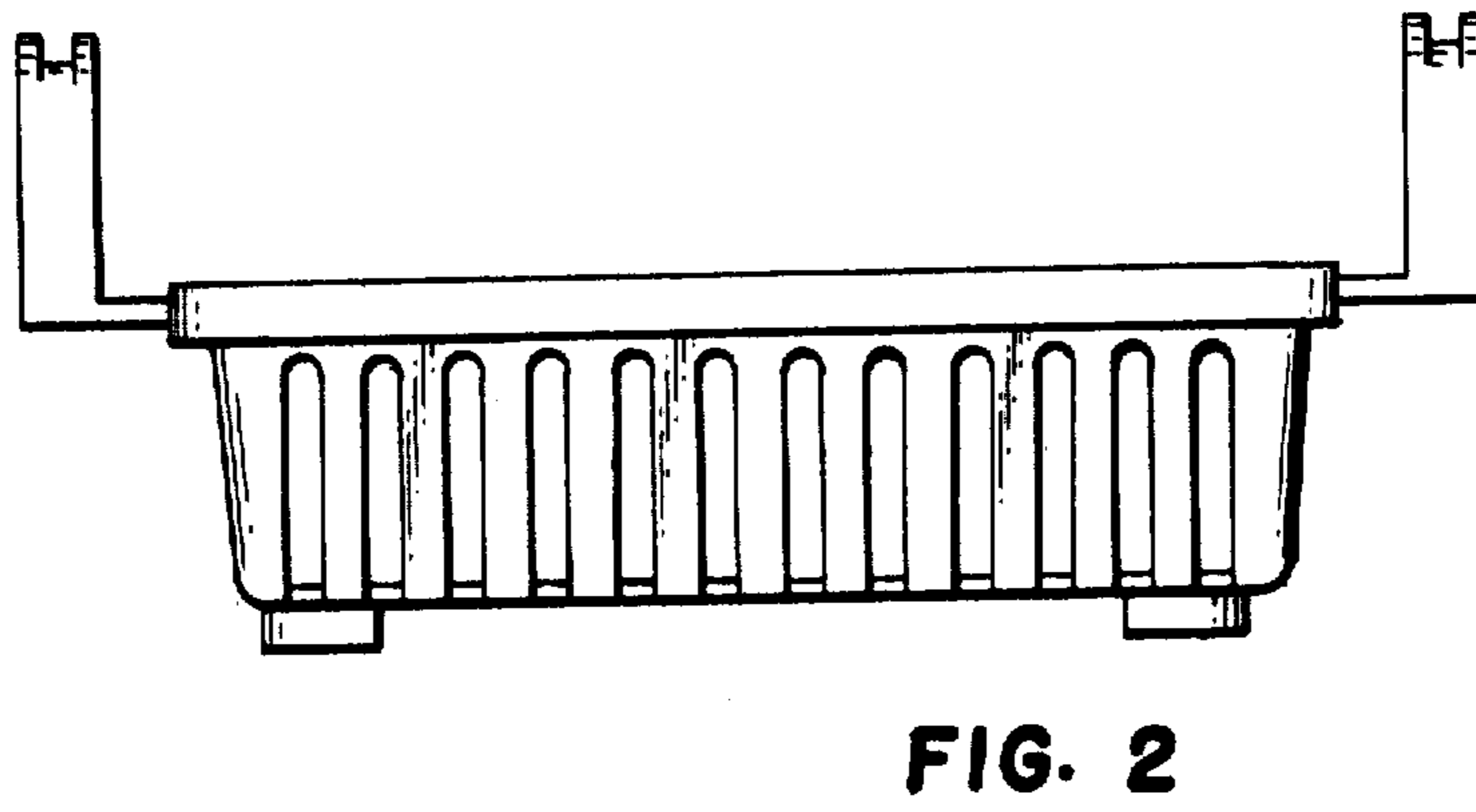
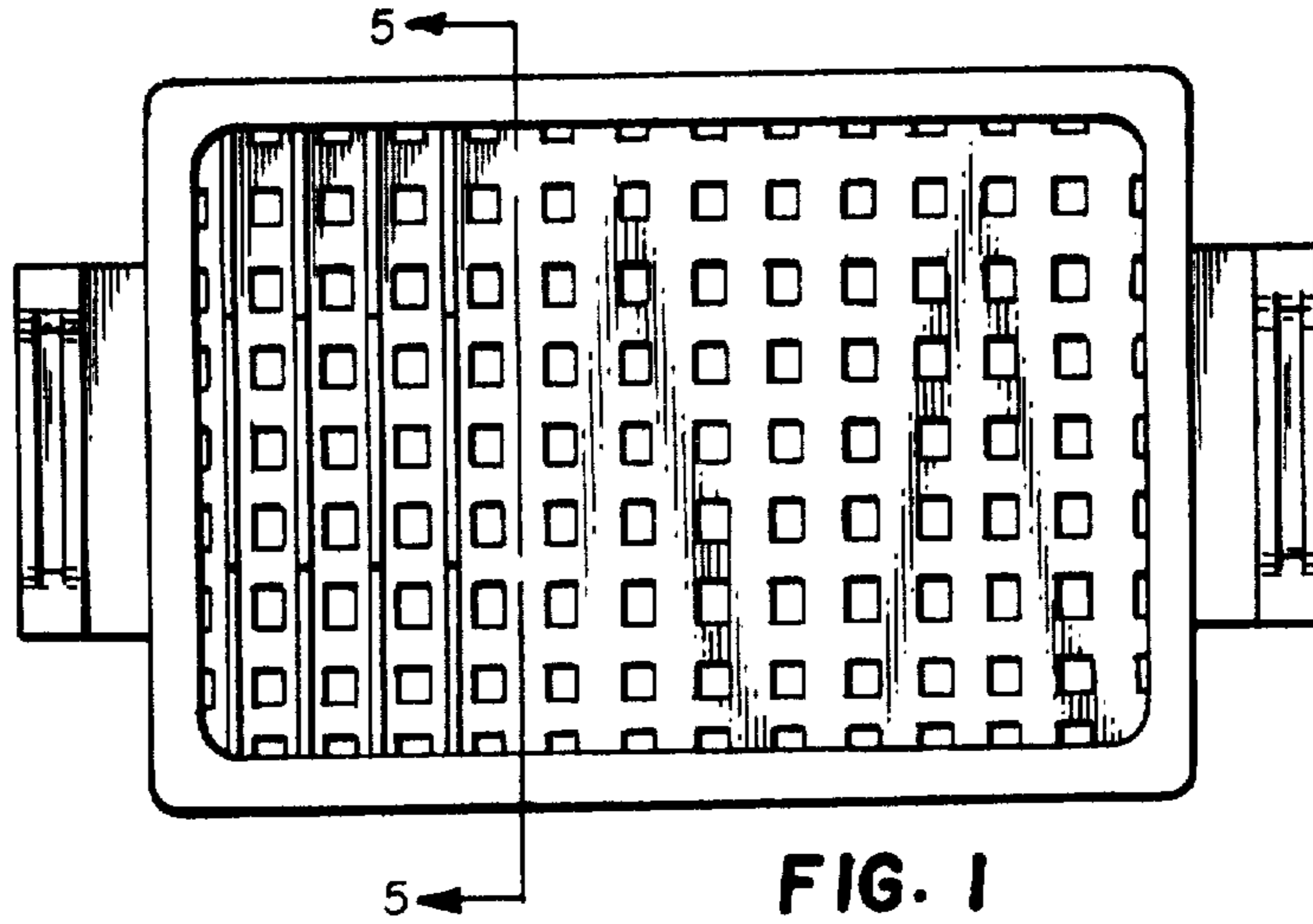
[57] CLAIM

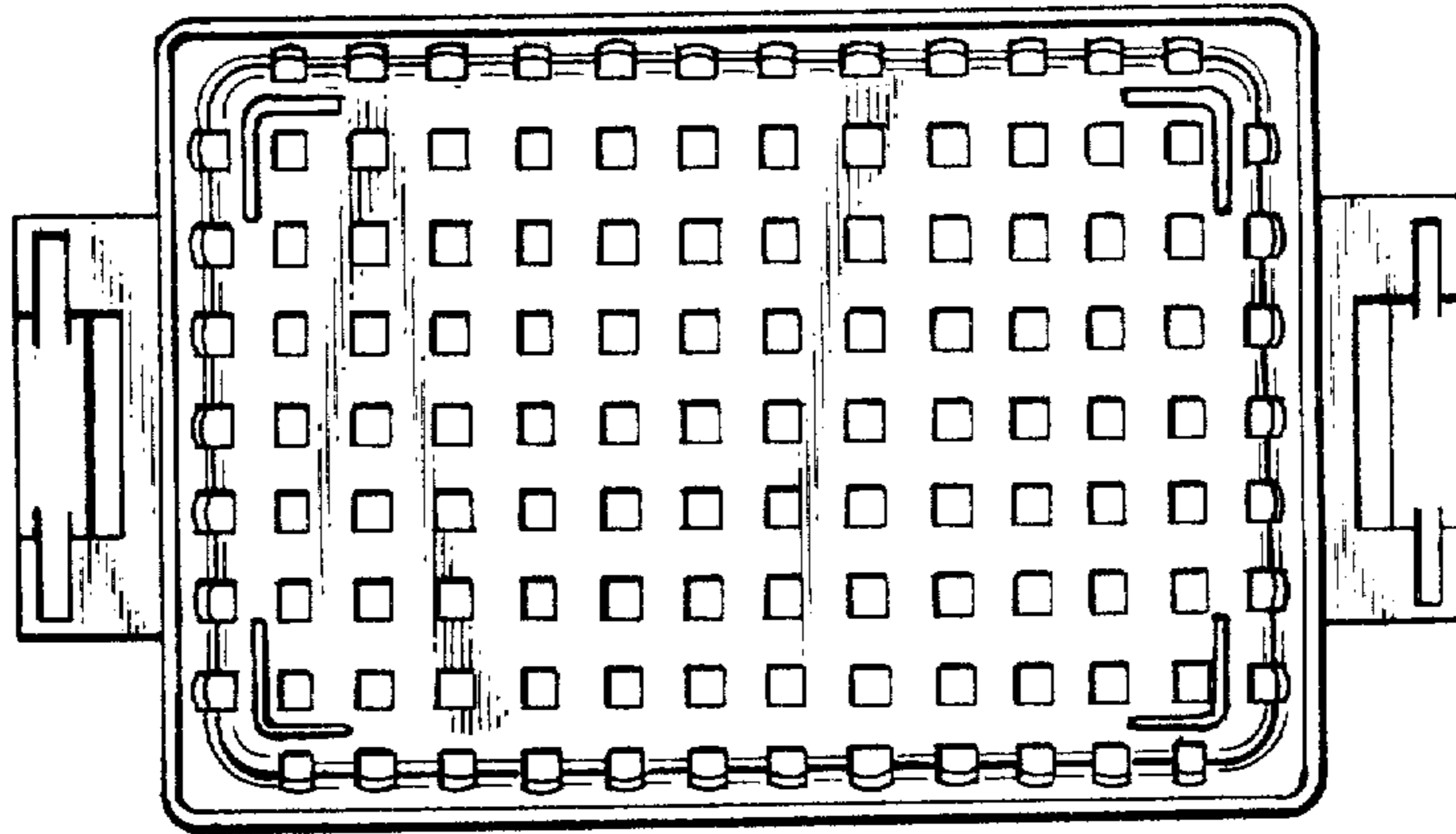
The ornamental design for a toy dish drainer, substantially as shown and described.

DESCRIPTION

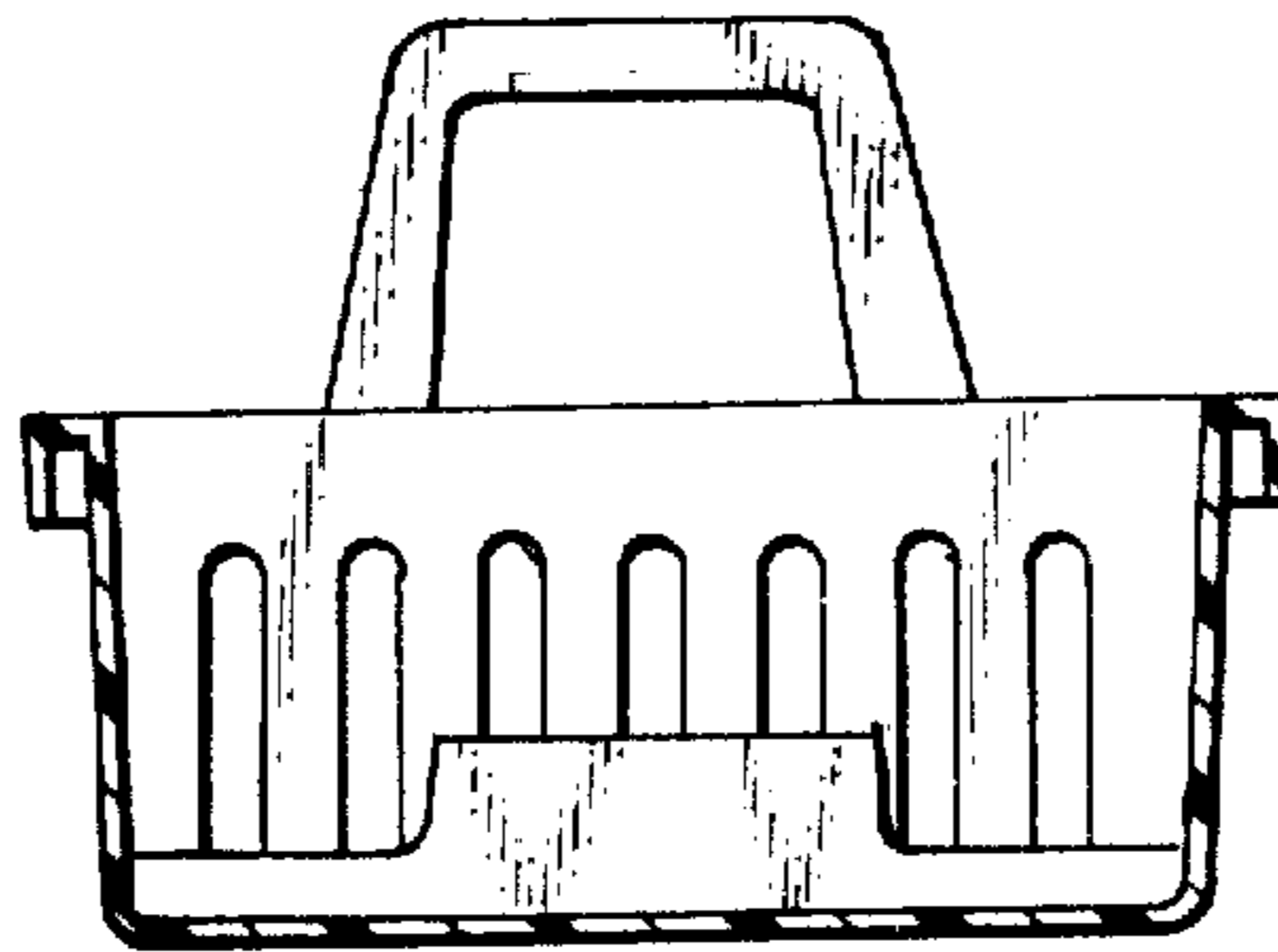
FIG. 1 is a top plan view of a toy dish drainer showing my new design;  
 FIG. 2 is a front elevational view thereof, the rear elevational view being substantially a mirror image;  
 FIG. 3 is a left side elevational view thereof, the right side being substantially a mirror image;  
 FIG. 4 is a bottom plan view thereof; and  
 FIG. 5 is a sectional view taken on line 5—5 of FIG. 1.







**FIG. 4**



**FIG. 5**