

[54] TOY CARRIER

[75] Inventor: W. Porter Clanton, East Aurora, N.Y.

[73] Assignee: The Quaker Oats Company, Chicago, Ill.

[**] Term: 14 Years

[21] Appl. No.: 332,450

[22] Filed: Dec. 21, 1981

[52] U.S. Cl. D21/59

[58] Field of Search D21/59, 120, 121; D3/74; D34/43, 44, 45, 46

[56] References Cited

U.S. PATENT DOCUMENTS

- D. 159,595 8/1950 Bowersox D34/44
- D. 192,756 5/1962 Hodgman D34/44

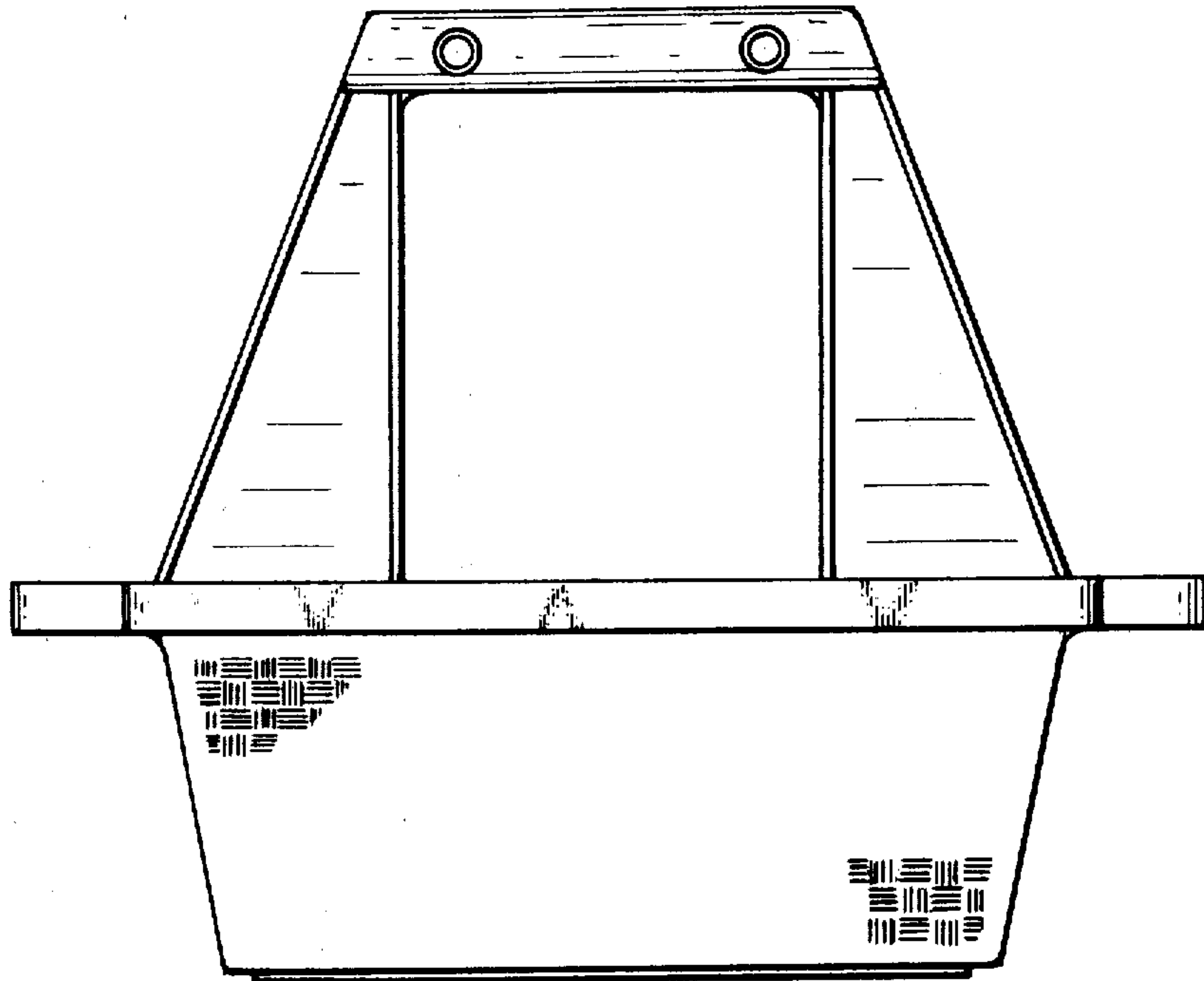
Primary Examiner—Melvin B. Feifer
Attorney, Agent, or Firm—Cumpston & Shaw

[57] CLAIM

The ornamental design for a toy carrier, substantially as shown and described.

DESCRIPTION

FIG. 1 is a front elevational view of a toy carrier showing my new design;
 FIG. 2 is a top plan view thereof;
 FIG. 3 is a left side elevational view thereof, the right side view being substantially a mirror image;
 FIG. 4 is a bottom plan view thereof;
 FIG. 5 is a detailed left side plan view of a portion of the design as shown in FIG. 3 more specifically showing the surface thereof;
 FIG. 6 is a rear elevational view thereof; and
 FIG. 7 is a cross-sectional view taken on line 7—7 of FIG. 6.



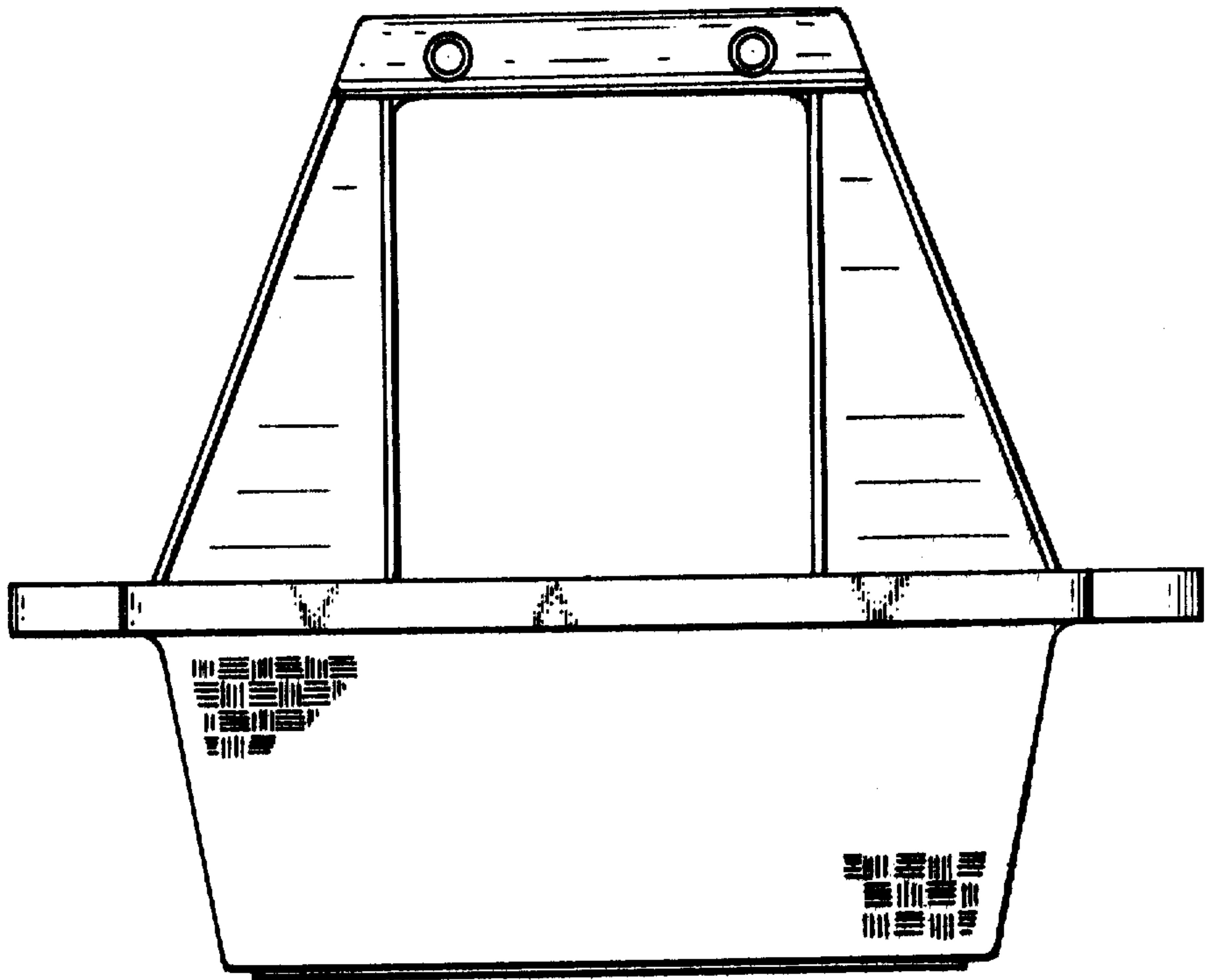


FIG. 1

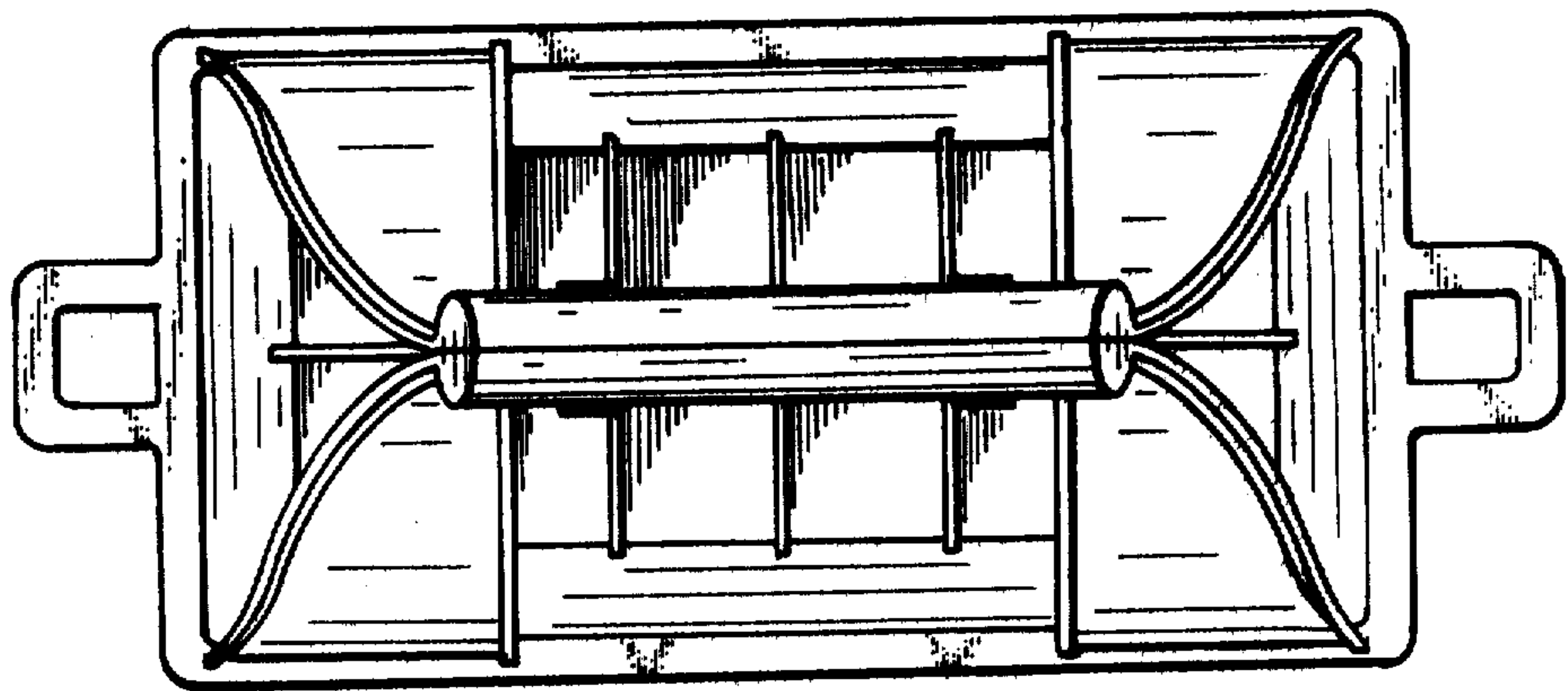


FIG. 2

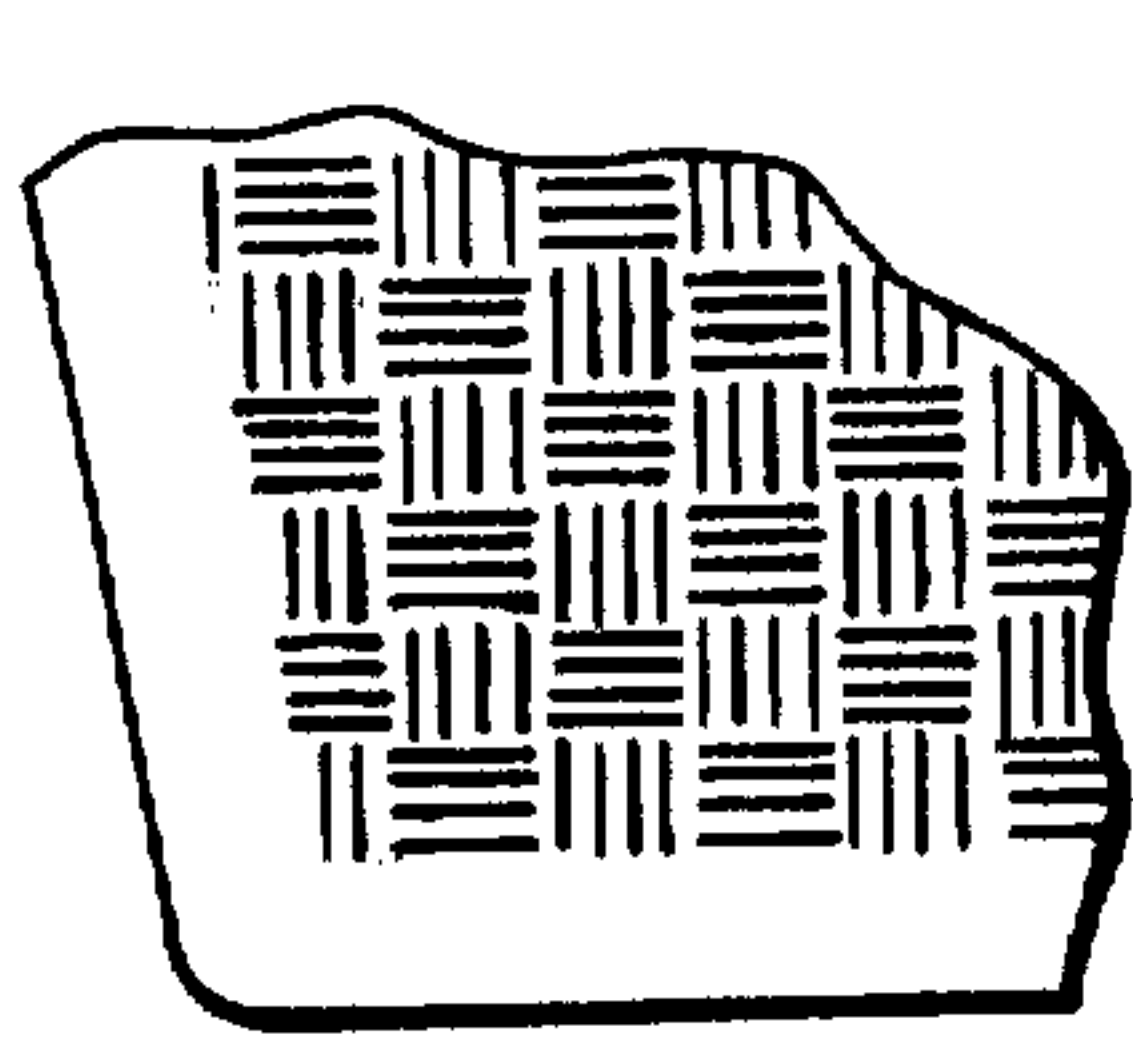


FIG. 5

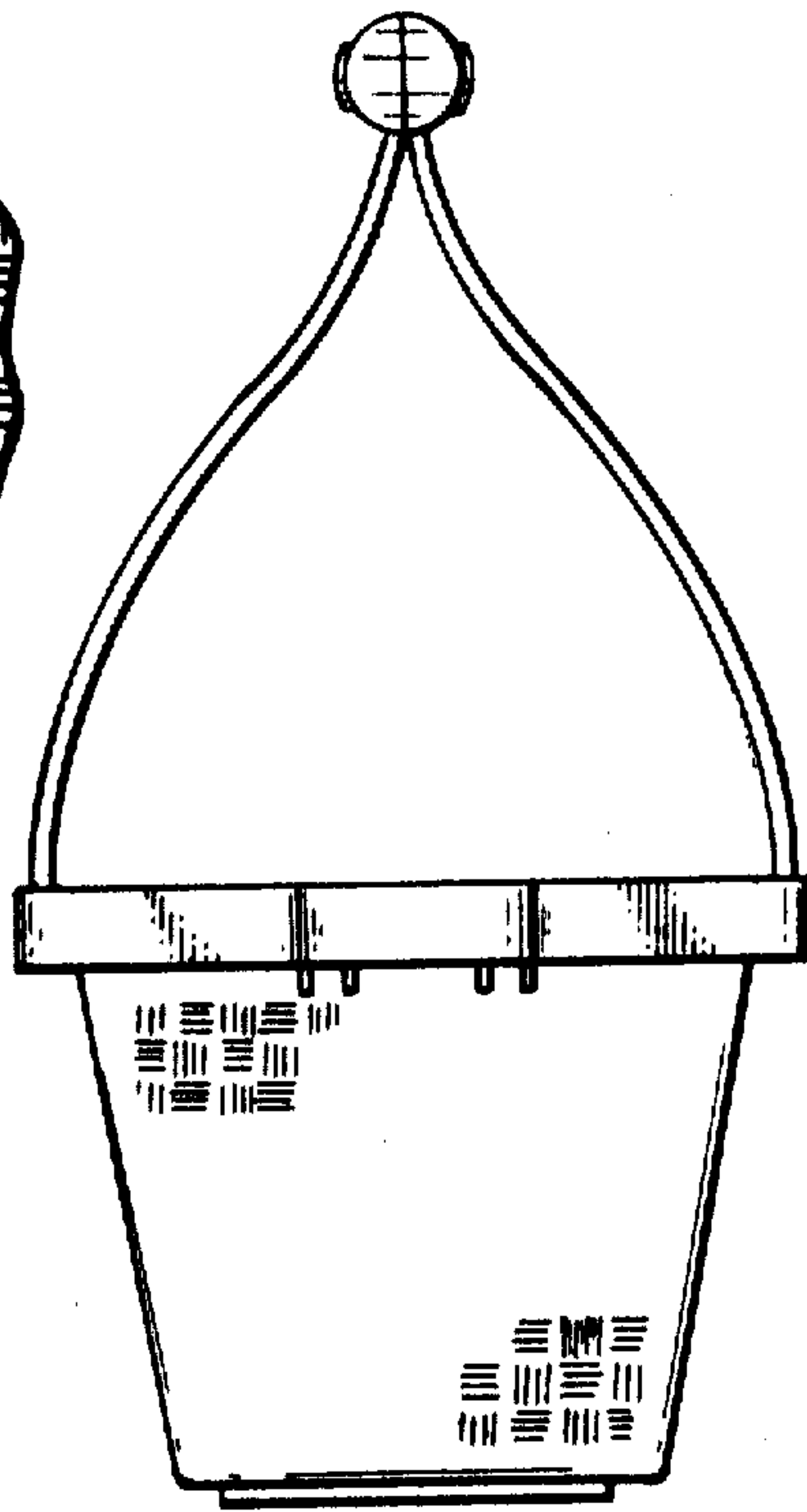


FIG. 3

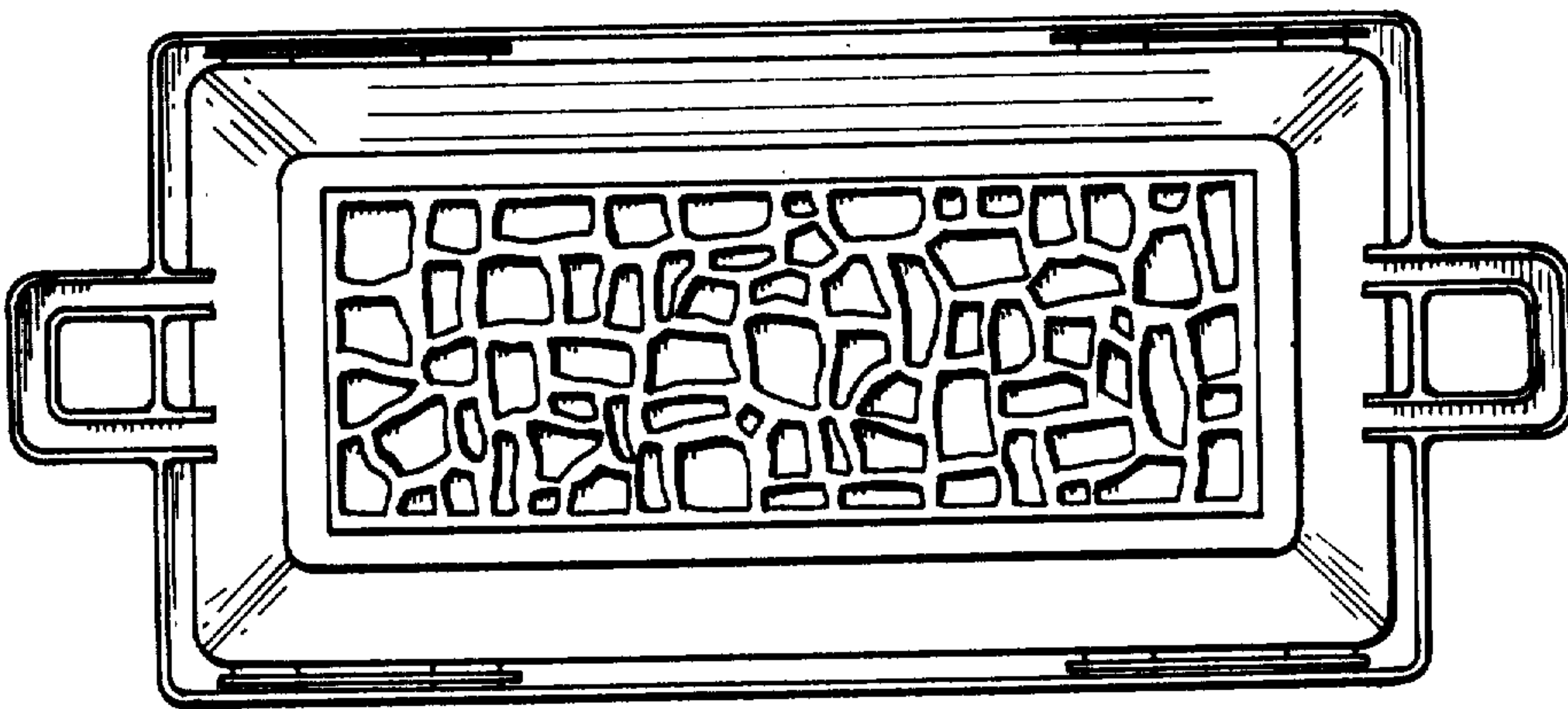


FIG. 4

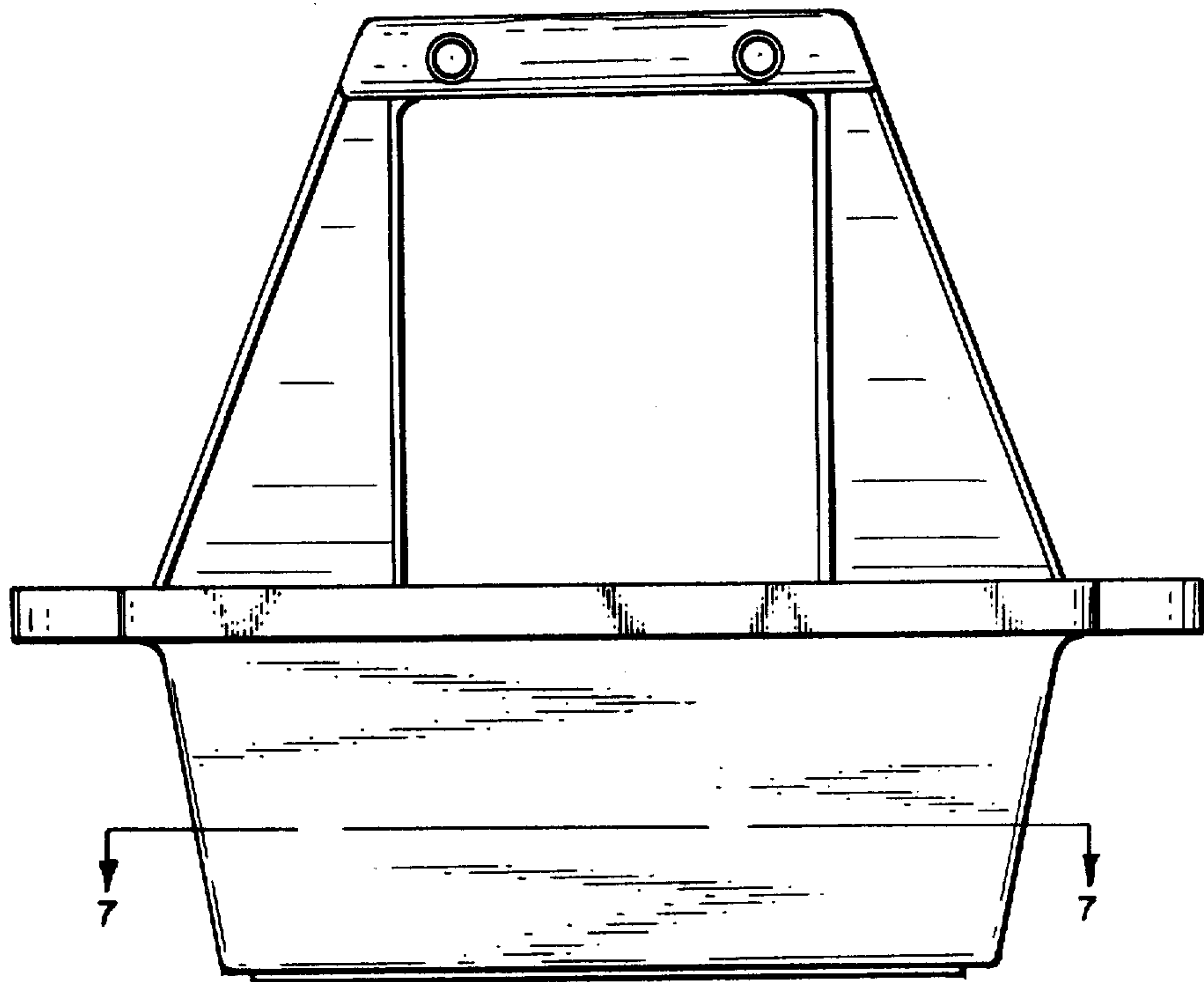


FIG. 6

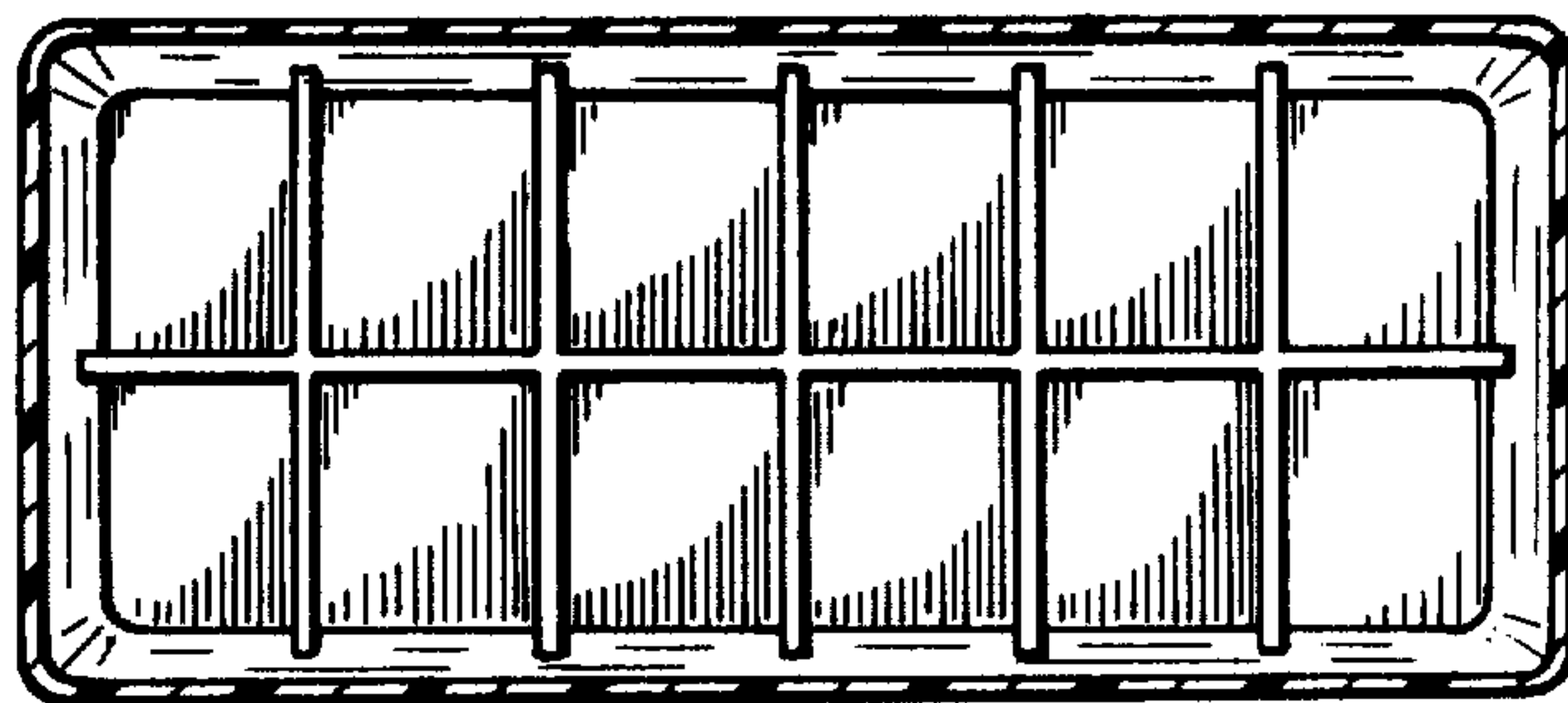


FIG. 7