

[54] LABEL DISPENSER

[75] Inventors: Allen H. Oglander, St. Louis County; Richard E. Shannon, Rocky Mount, both of Mo.

[73] Assignee: Commercial Mailing Accessories, Inc., St. Louis, Mo.

[**] Term: 14 Years

[21] Appl. No.: 417,413

[22] Filed: Sep. 13, 1982

[52] U.S. Cl. D18/19

[58] Field of Search D18/13-15, D18/18, 19, 22, 99; D19/68; 101/288; 156/384, DIG. 48, DIG. 49; D16/29

[56] References Cited

U.S. PATENT DOCUMENTS

D. 115,074 5/1939 Boetticher D18/13

D. 226,592 3/1973 Noack D18/19 X
3,320,867 5/1967 Miller D16/29

FOREIGN PATENT DOCUMENTS

1222964 6/1960 France 156/384

Primary Examiner—Louis S. Zarfes
Attorney, Agent, or Firm—Kalish & Gilster

[57] CLAIM

The ornamental design for a label dispenser, as shown.

DESCRIPTION

FIG. 1 is a side elevational view of a label dispenser showing our new design.

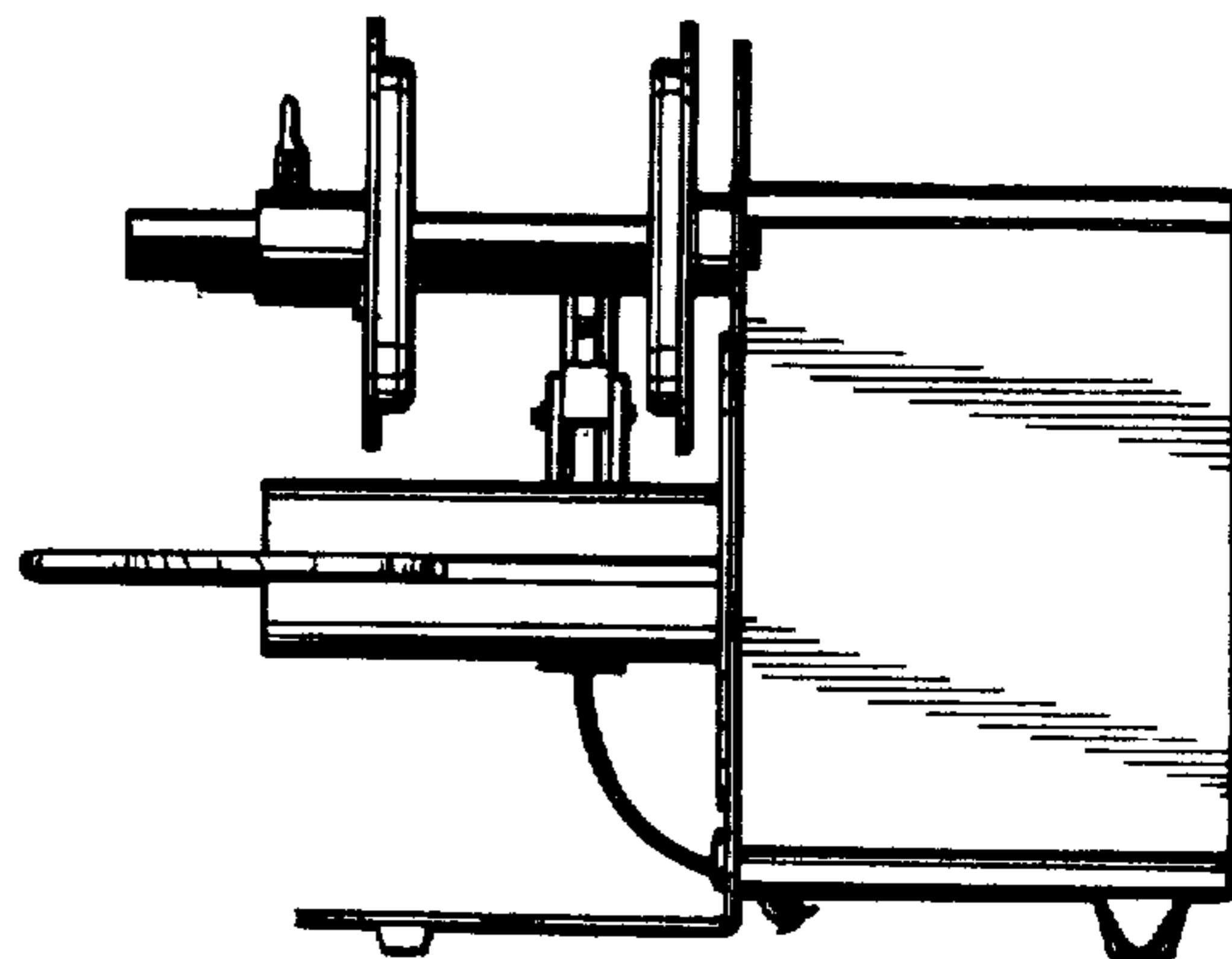
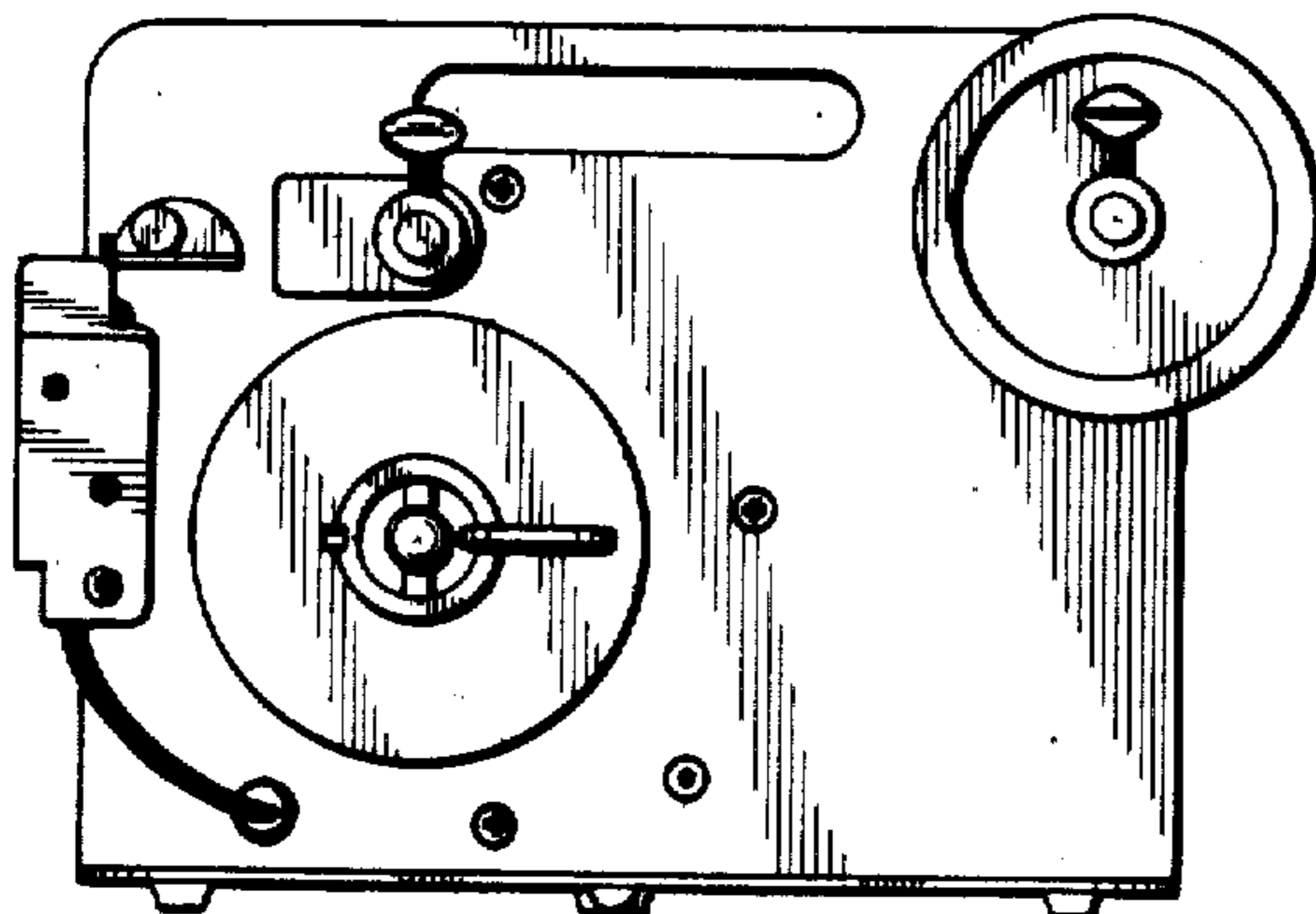
FIG. 2 is a front elevational view thereof.

FIG. 3 is a top plan view thereof.

FIG. 4 is a side elevational view taken from the right hand side of FIG. 2.

FIG. 5 is a rear elevational view thereof.

FIG. 6 is a bottom plan view thereof.



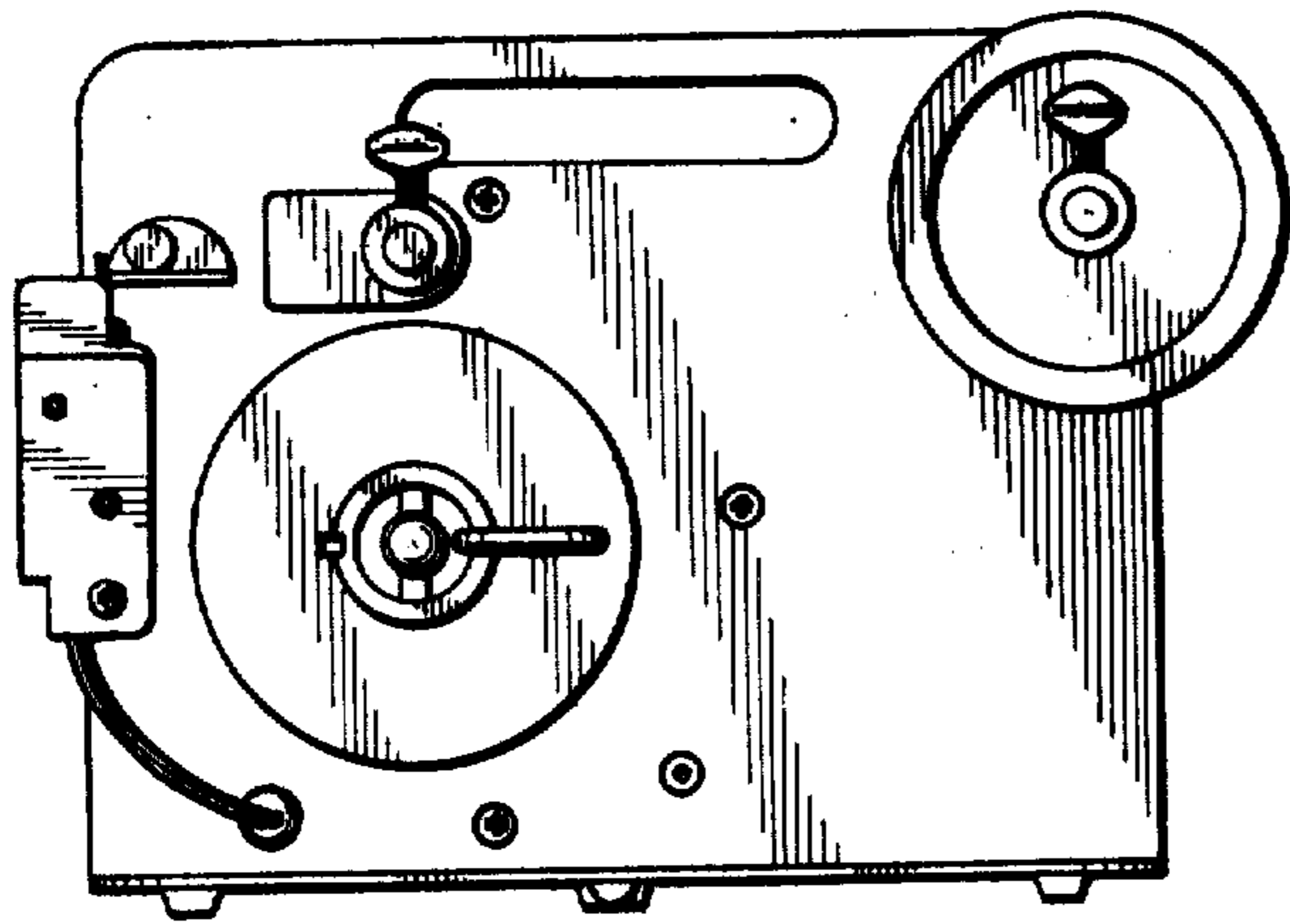


FIG. 1

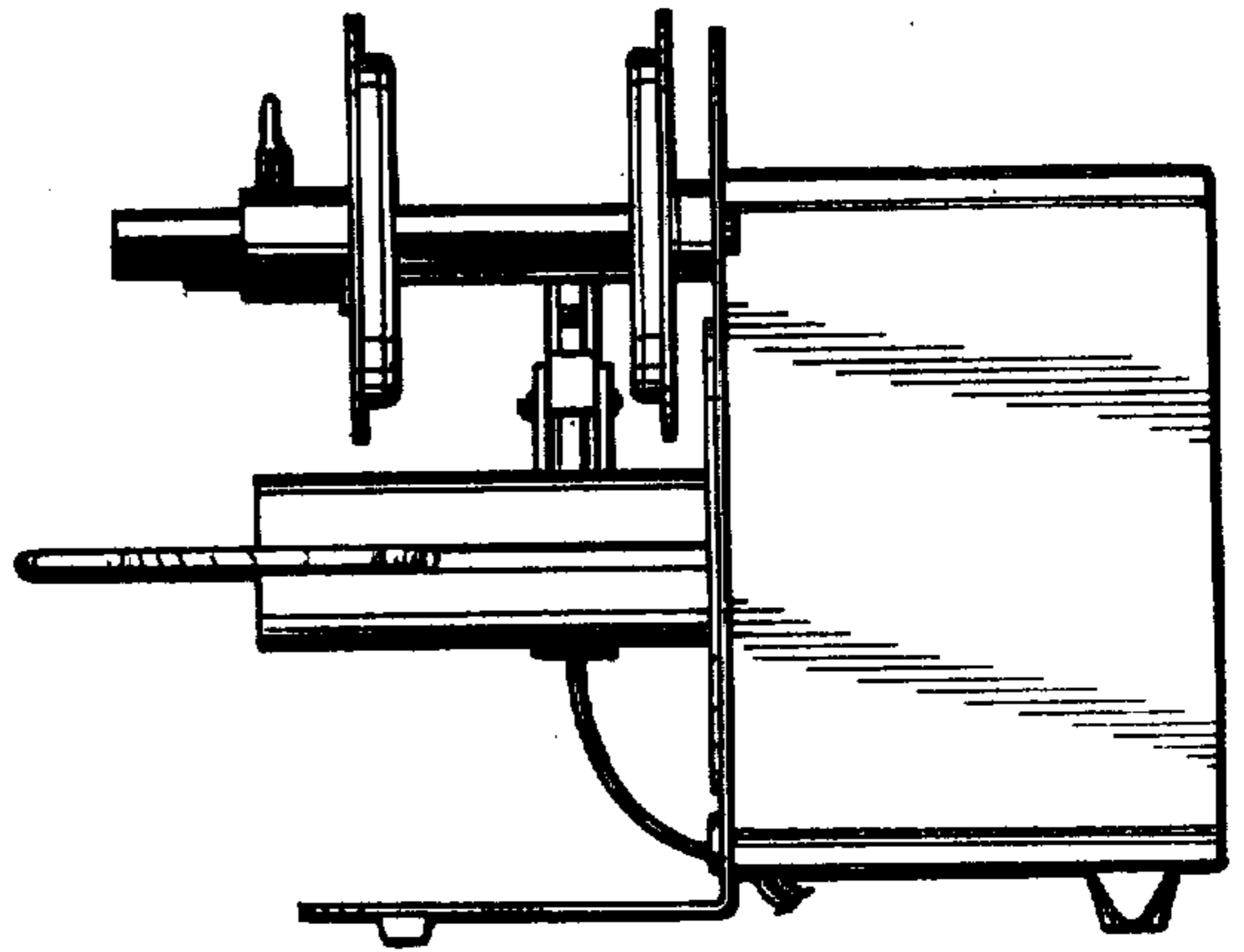


FIG. 2

FIG. 3

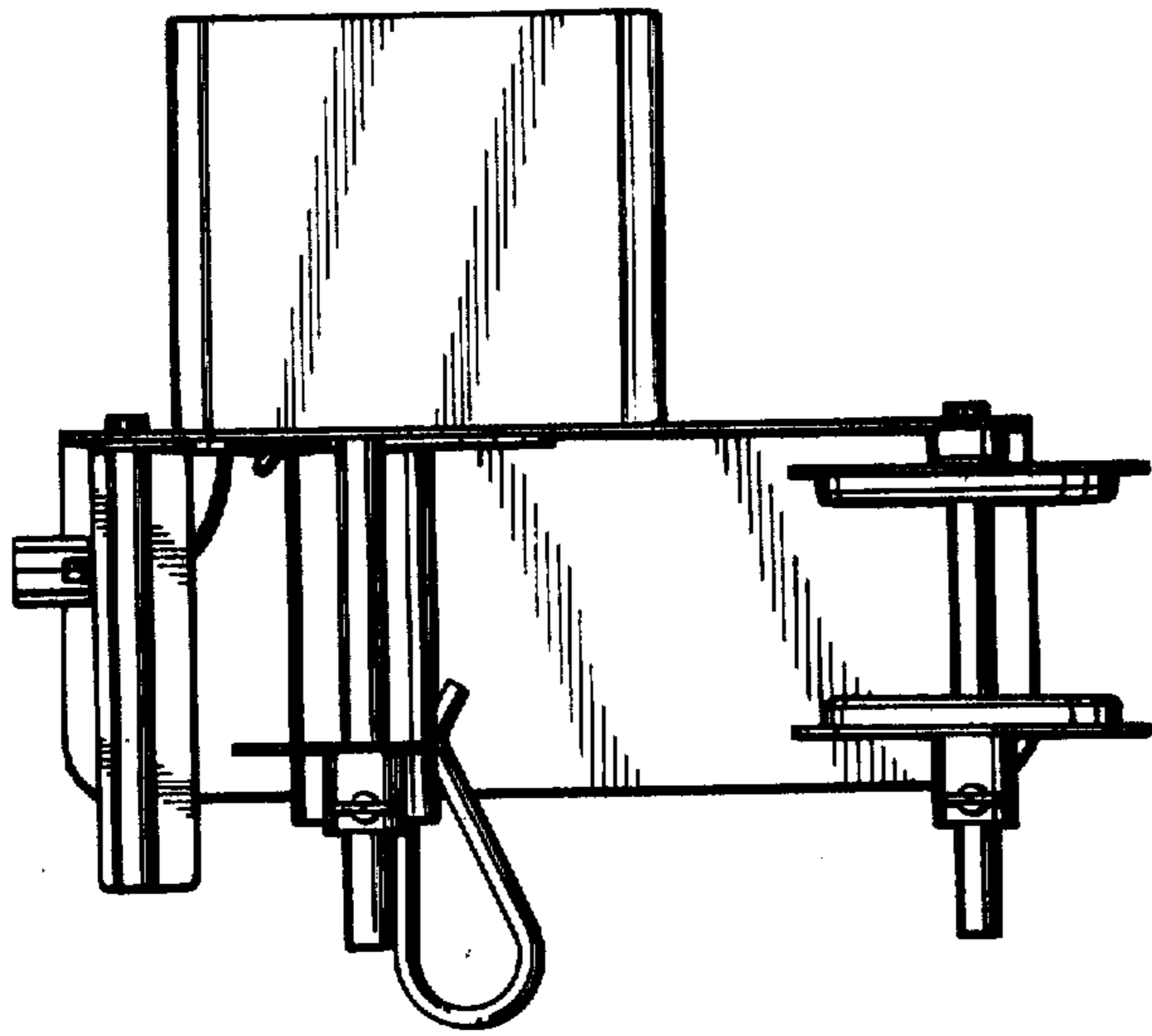


FIG. 4

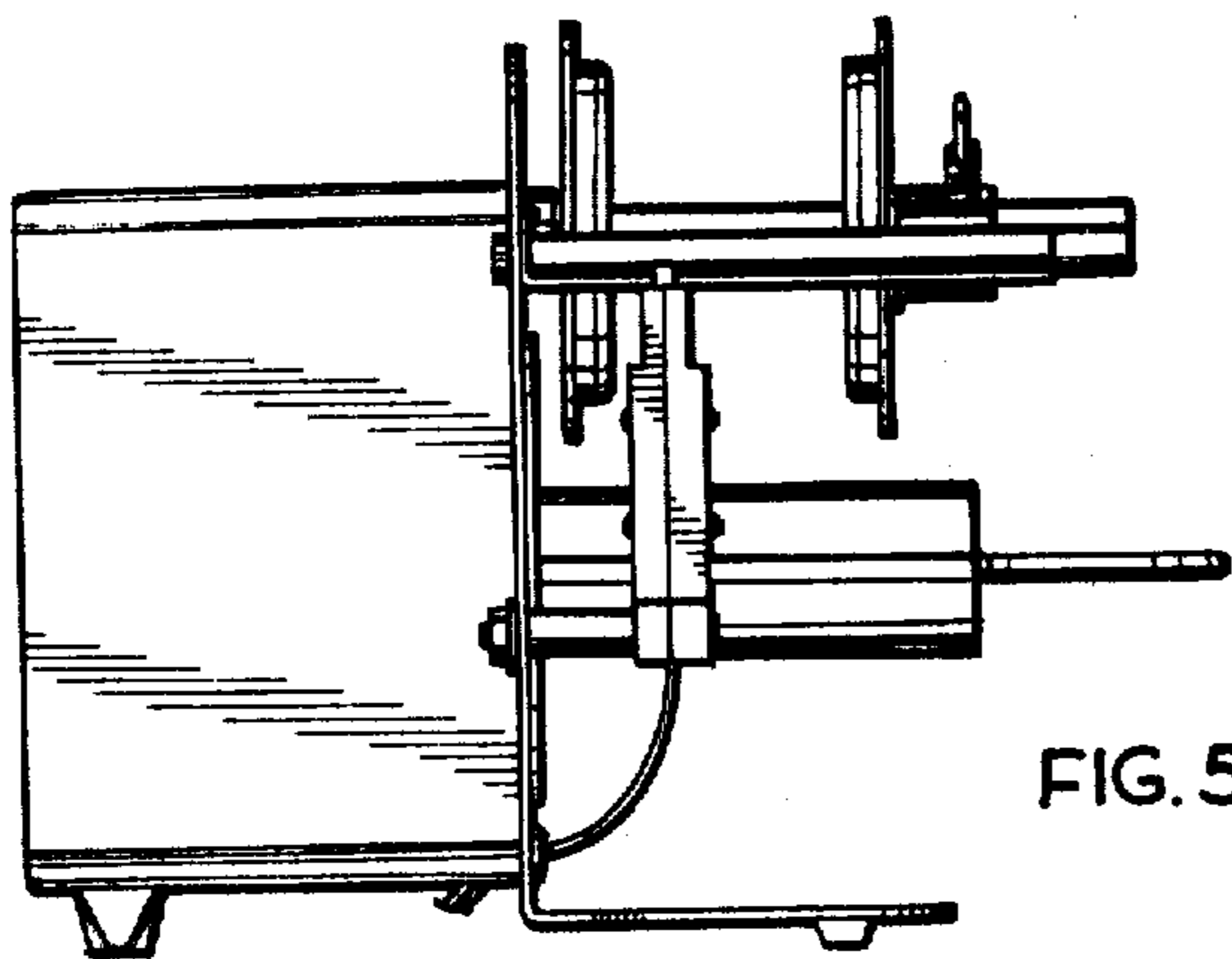
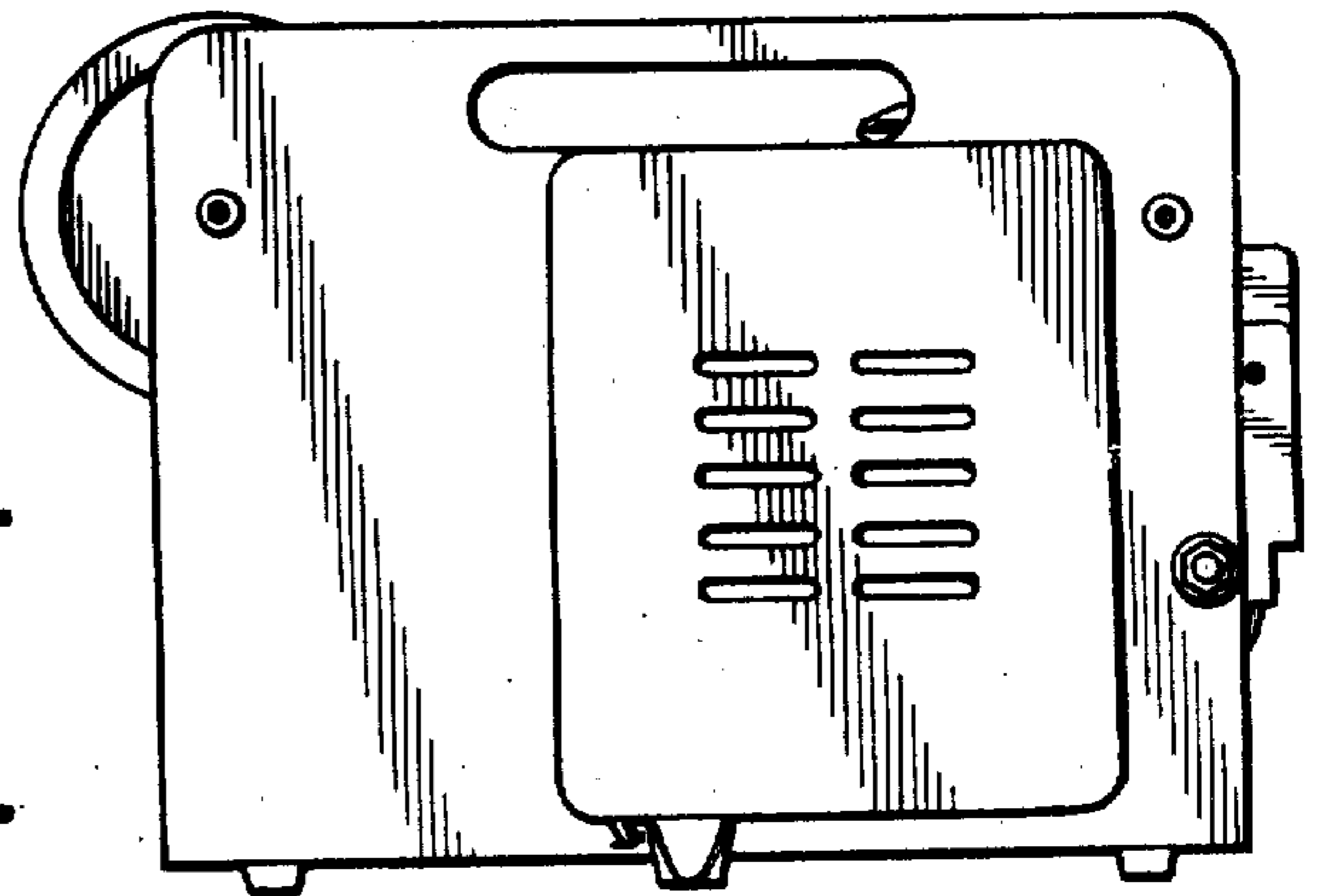


FIG. 5

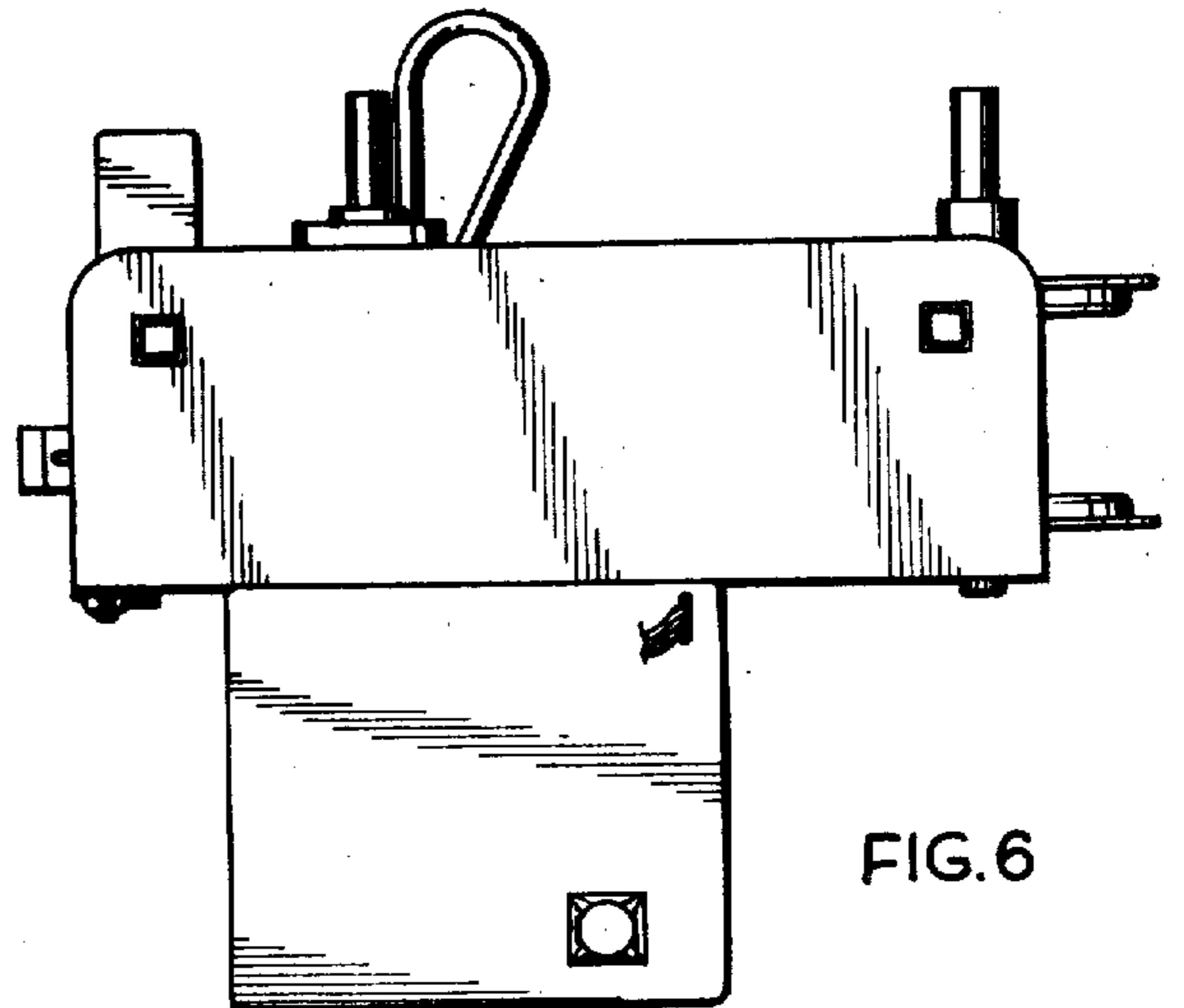


FIG. 6