

[54] **VARIABLE SPEED BELT DRIVE**  
 [75] **Inventors: Robert O. Huff; Edward F. Krome, Jr.; Gebus Barnsfather, all of Columbus, Ind.**  
 [73] **Assignee: Reliance Electric Company, Columbus, Ind.**  
 [\*\*] **Term: 14 Years**  
 [21] **Appl. No.: 244,210**  
 [22] **Filed: Mar. 16, 1981**  
 [52] **U.S. Cl. .... D15/148**  
 [58] **Field of Search ..... D15/148; 474/18, 28, 474/29, 903**

4,229,988 10/1980 Rattunde ..... 474/28  
 4,365,964 12/1982 Krome, Jr. .... 474/28

**FOREIGN PATENT DOCUMENTS**

1154679 9/1963 Fed. Rep. of Germany .  
 3383 of 1912 United Kingdom .  
 772340 4/1957 United Kingdom .  
 804708 11/1958 United Kingdom .

*Primary Examiner*—B. J. Bullock  
*Attorney, Agent, or Firm*—Marmaduke A. Hobbs

[57] **CLAIM**

The ornamental design for a variable speed belt drive, substantially as shown and described.

**DESCRIPTION**

FIG. 1 is a perspective view of a variable speed belt drive embodying our new design;  
 FIG. 2 is a top plan view thereof, the extension of the shaft on the right shown broken away to indicate indeterminate length;  
 FIG. 3 is an elevational view of the side opposite the side shown in FIG. 1; and  
 FIG. 4 is an elevational view of the end opposite the end shown in FIG. 1.

[56] **References Cited**

**U.S. PATENT DOCUMENTS**

2,877,528	3/1959	Long	474/28
3,698,256	10/1972	Albertson	474/28
3,715,928	2/1973	Case et al.	474/29
3,731,549	5/1973	Kaiser et al.	474/18
3,893,343	7/1975	Zaiser et al.	474/18
4,116,080	9/1978	Berens	474/28

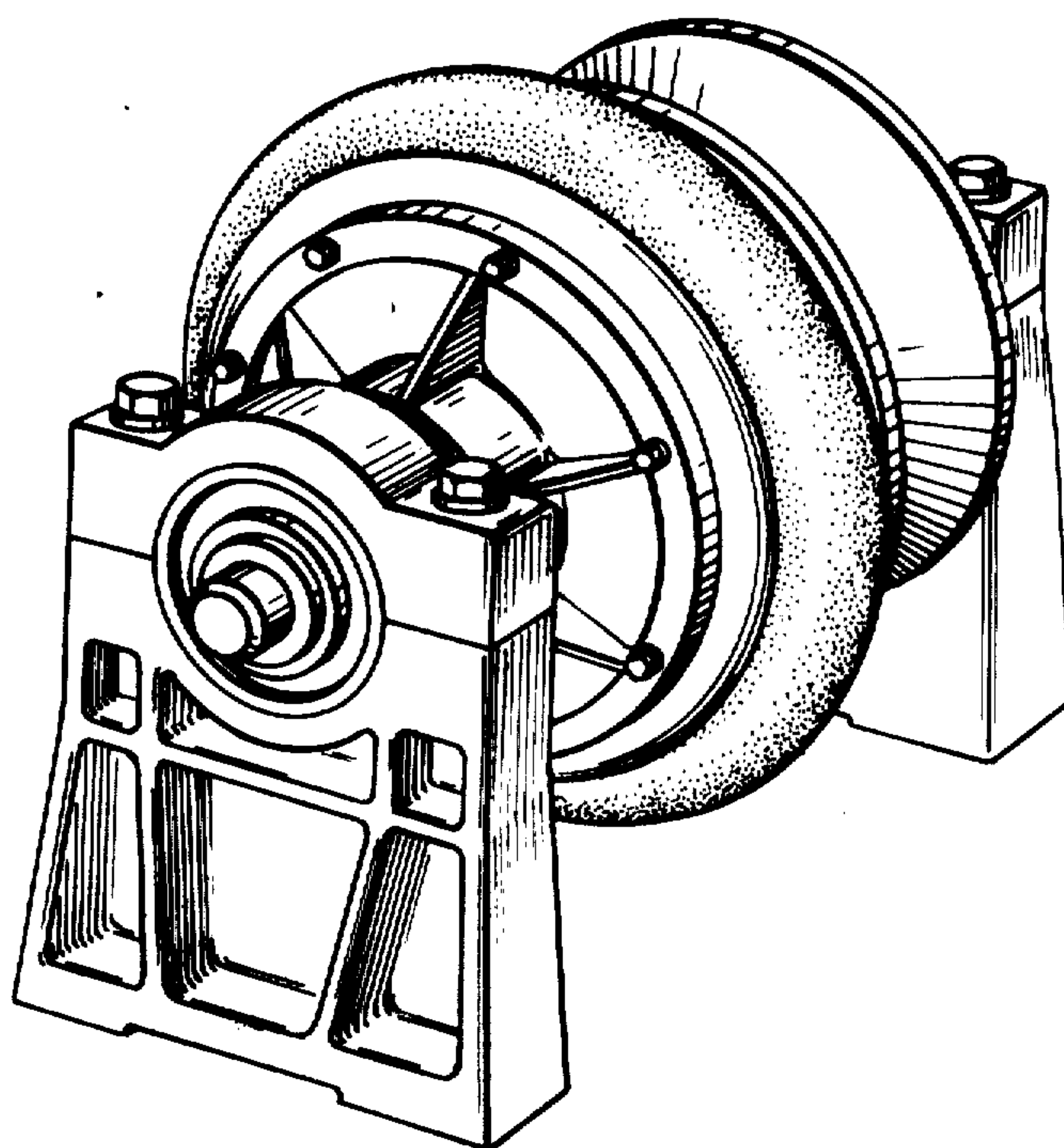


Fig. 1

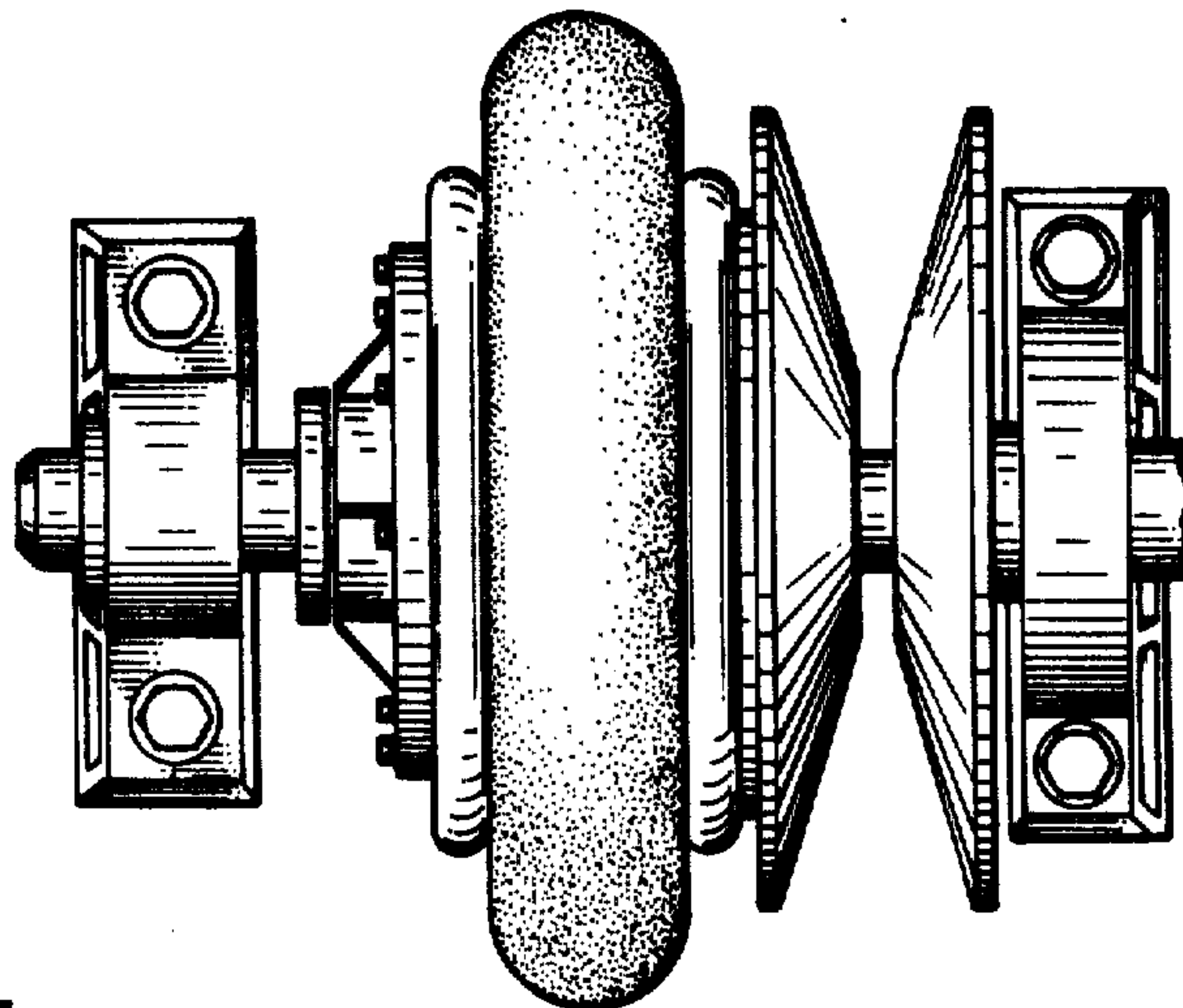
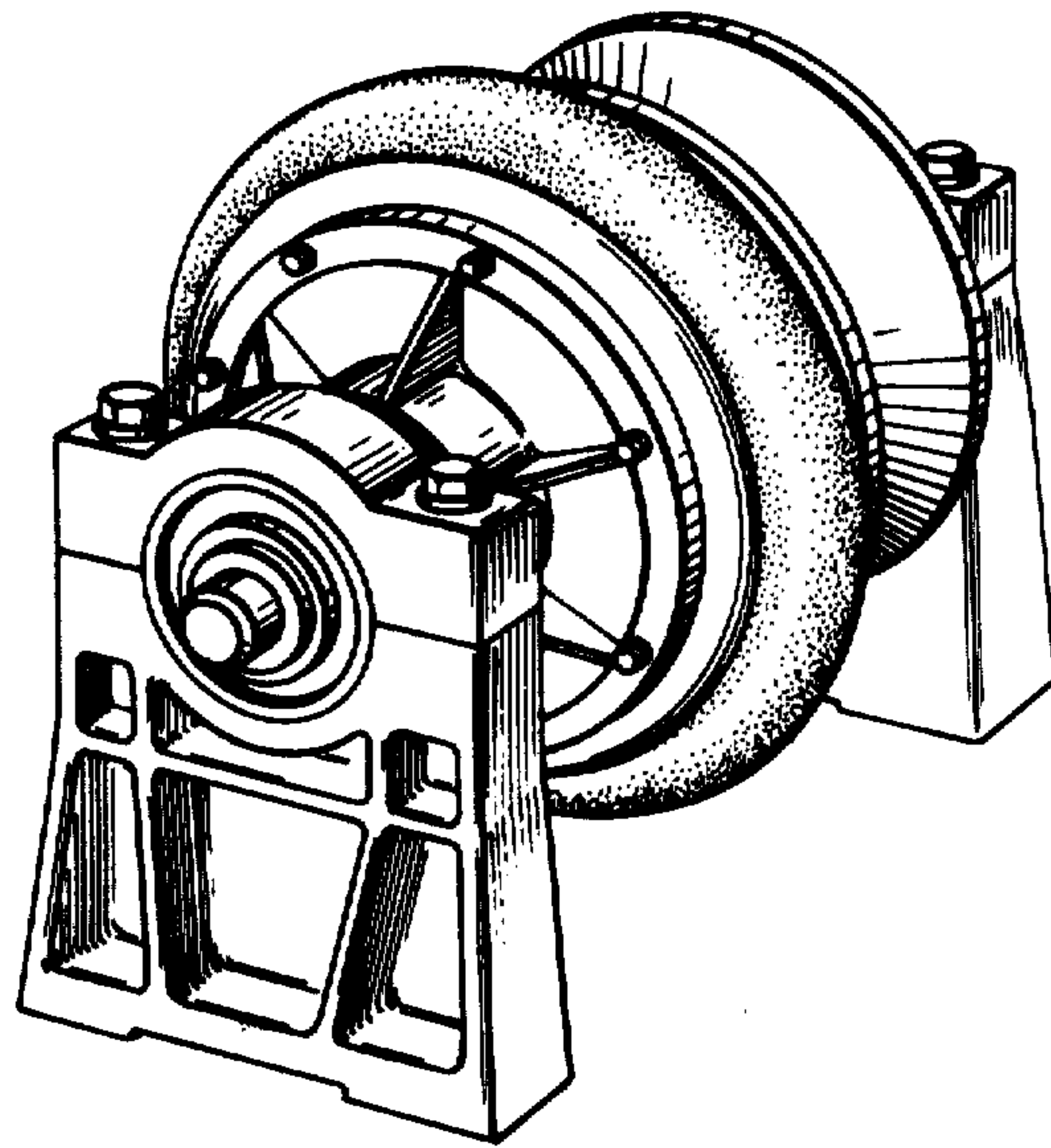


Fig. 2

Fig. 3

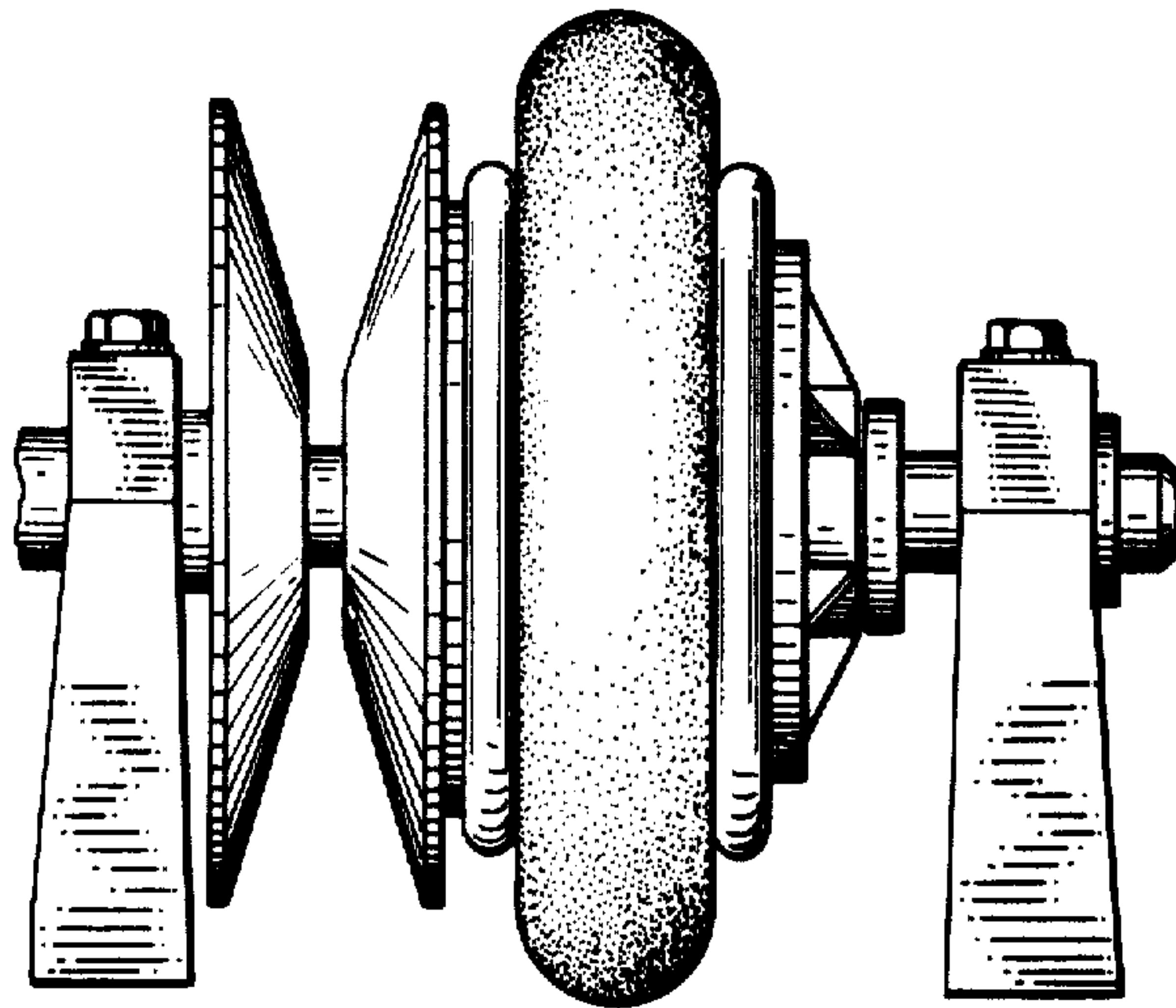


Fig. 4

