

[54] POWER TOOL TABLE

4,201,254 5/1980 Fehric 144/1 R

[75] Inventors: Irwin J. Ferdinand, Glencoe; Richard Sylvan, Glenview; Herbert Baisch, Palatine, all of Ill.

Primary Examiner—Wallace R. Burke
Assistant Examiner—Suzanne N. Gitlin
Attorney, Agent, or Firm—Dressler, Goldsmith, Shore, Sutker & Milnamow, Ltd.

[73] Assignee: Hirsh Company, Skokie, Ill.

[57] CLAIM

[**] Term: 14 Years

The ornamental design for a power tool table, substantially as shown and described.

[21] Appl. No.: 293,006

DESCRIPTION

[22] Filed: Aug. 14, 1981

[52] U.S. Cl. D15/141

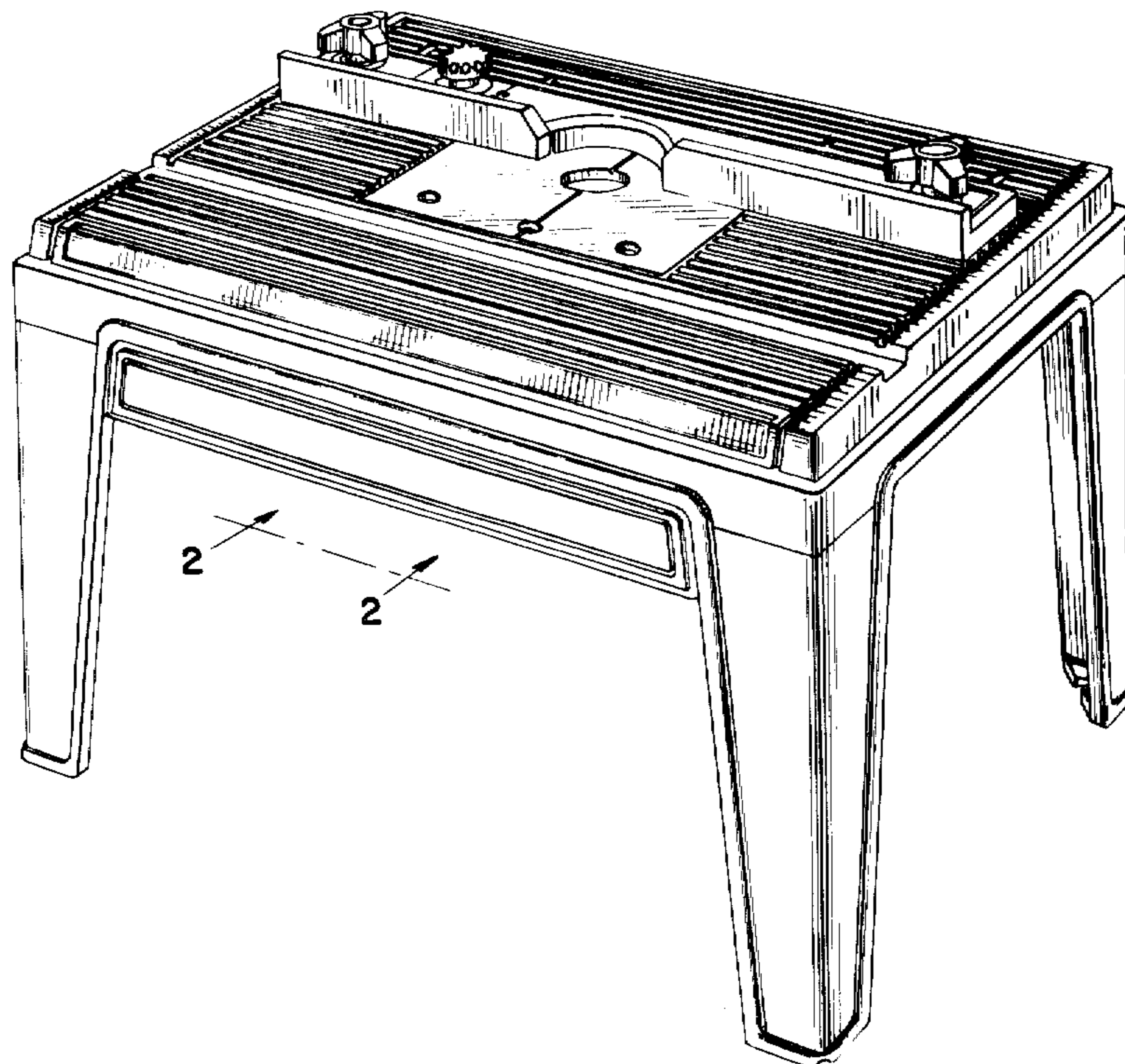
[58] Field of Search D15/141, 138, 139, 132, D15/130; 409/229; 144/134 A, 286 A, 1 R

FIG. 1 is a front perspective view of a power tool table showing our new design;
FIG. 2 is a fragmentary, front perspective view taken along the plane 2—2 in FIG. 1 shown broken away to better illustrate the interior configuration of the leg, it being understood the other three legs are identical;
FIG. 3 is a top plan view thereof;
FIG. 4 is a front elevational view thereof;
FIG. 5 is a left side elevational view thereof, the right side being a mirror image thereof;
FIG. 6 is a rear elevational view thereof.

[56] References Cited

U.S. PATENT DOCUMENTS

D. 248,304	6/1978	McCord et al.	D15/141
2,587,177	2/1952	Larson	144/286 R
3,604,484	9/1971	Viljaen	144/134 A
4,186,784	2/1980	Stone	144/1 R



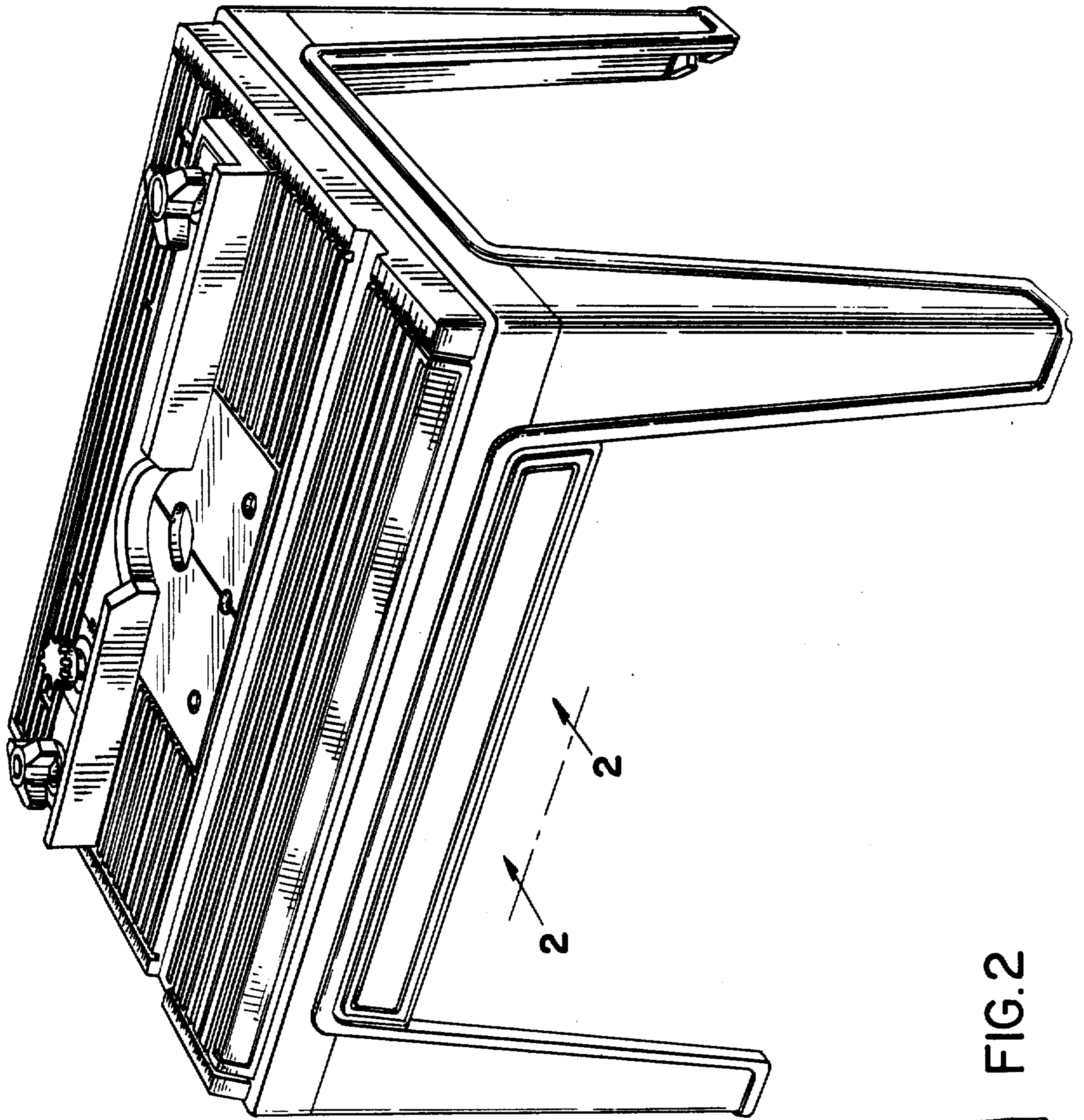


FIG. 1

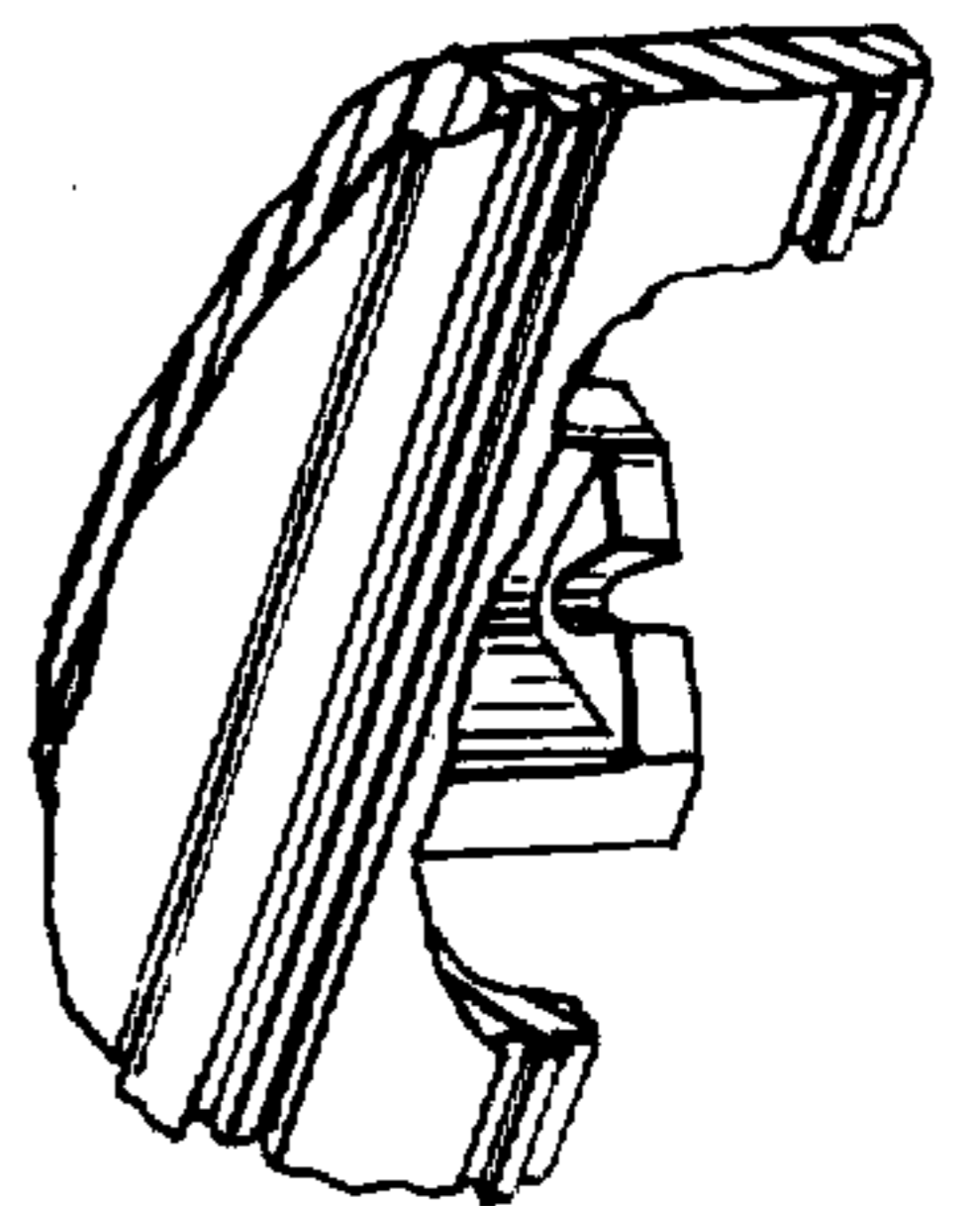


FIG. 2

FIG. 3

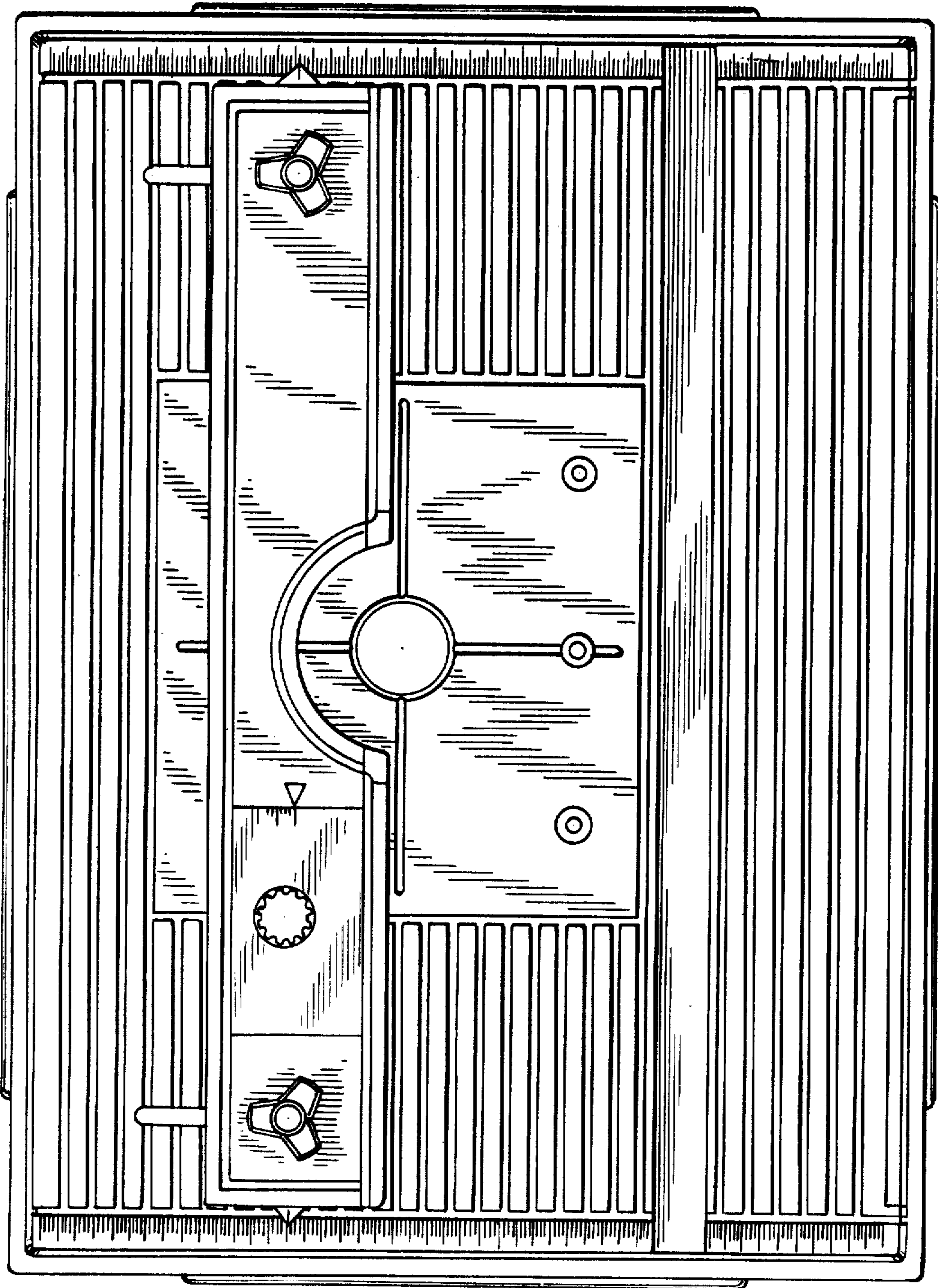


FIG. 4

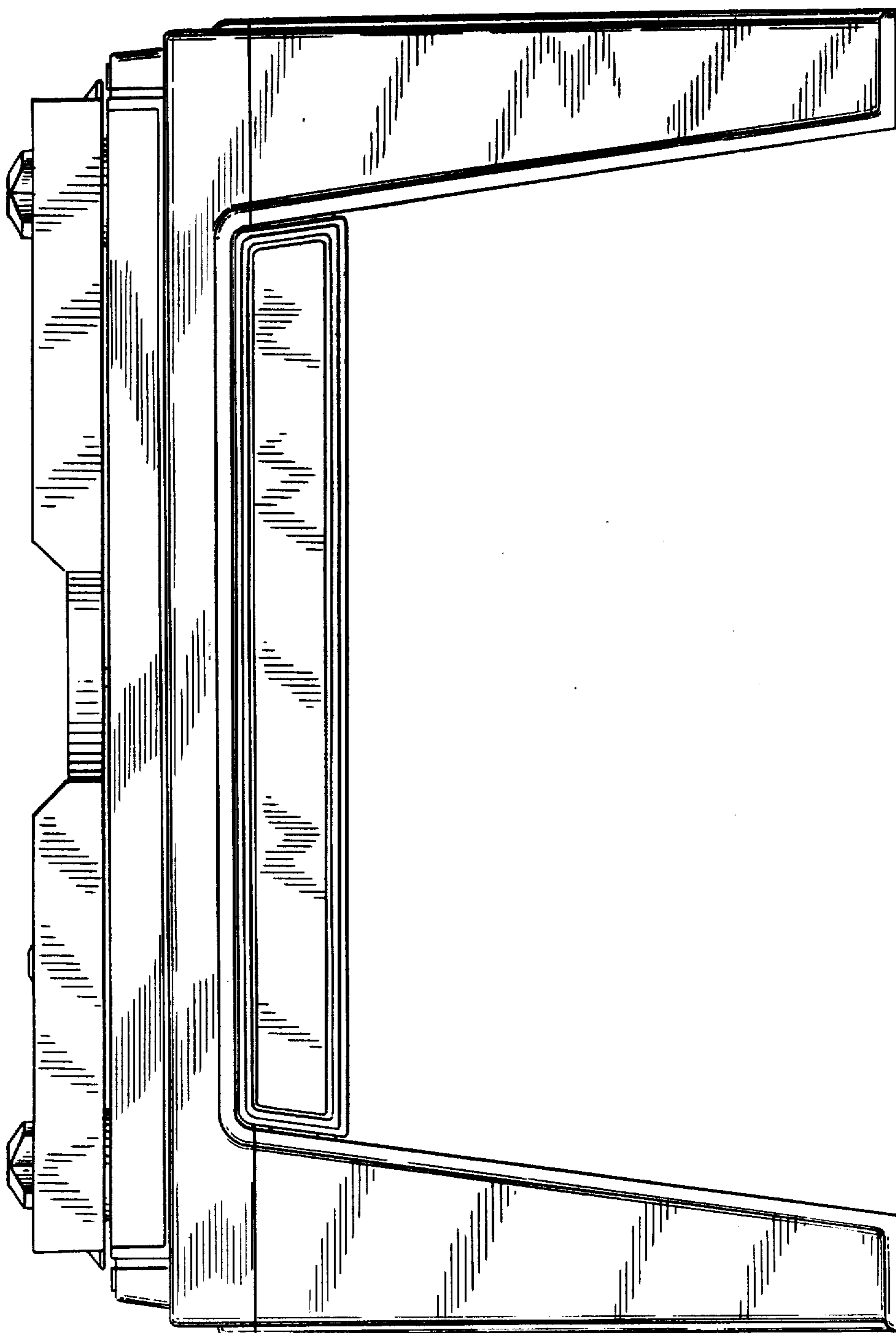


FIG. 5

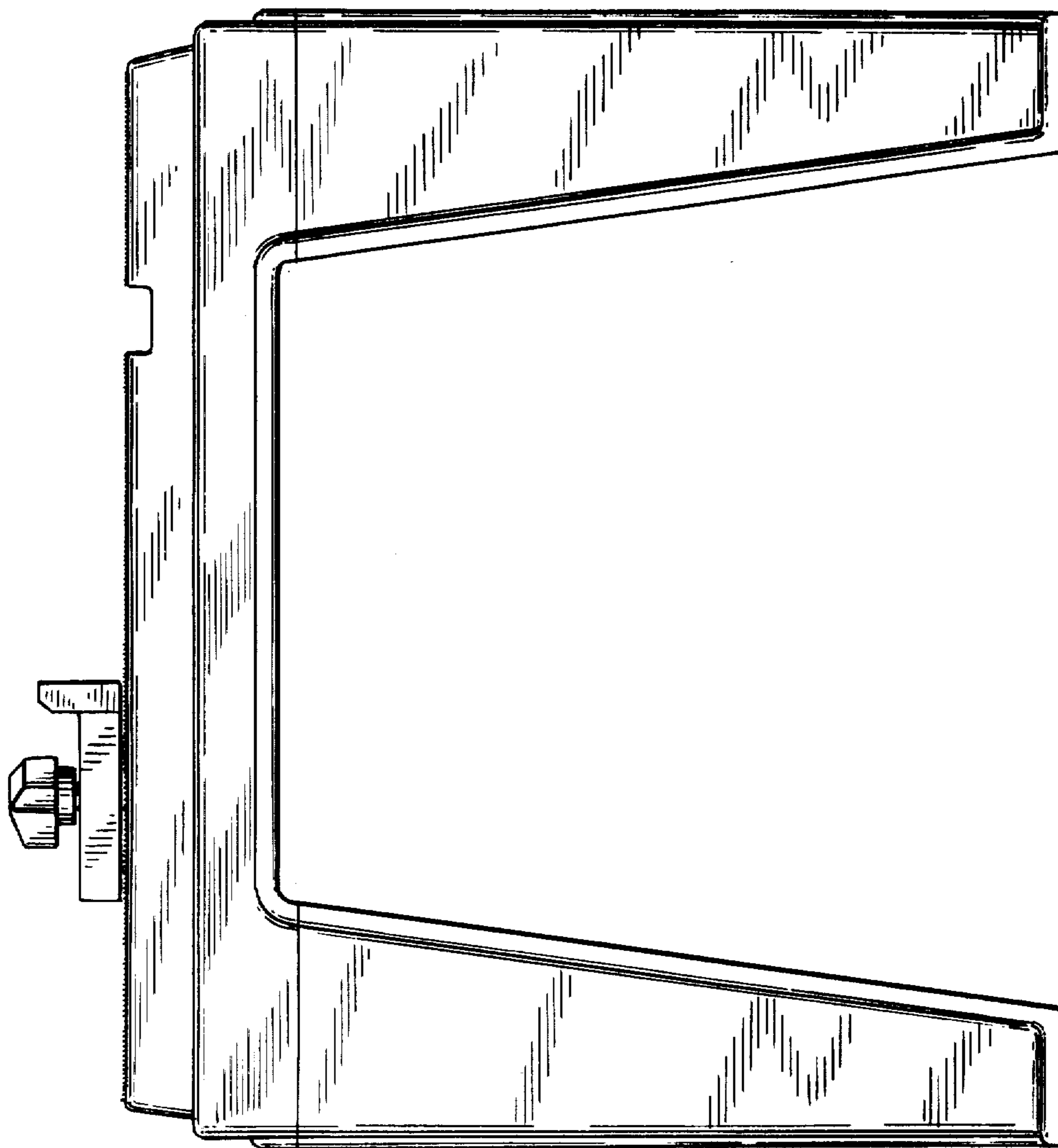


FIG. 6

