

- [54] **GAGE BAR FOR MITER CUTTING MACHINE**
- [75] Inventor: **John K. Stowe, Manchester, Conn.**
- [73] Assignee: **Perimet, Inc., Chester, Conn.**
- [**] Term: **14 Years**
- [21] Appl. No.: **239,615**
- [22] Filed: **Mar. 2, 1981**
- [52] U.S. Cl. **D15/133; D15/127; D15/138**
- [58] **Field of Search** **D15/127, 129, 133, 138; 83/468, 581, 522; 144/216, 217; 33/180 R, 185 R**

4,219,061 8/1980 Duggins 33/180 R
 4,259,887 4/1981 Dean 83/522

Primary Examiner—B. J. Bullock
Attorney, Agent, or Firm—C. G. Nessler

[57] **CLAIM**

The ornamental design for the gage bar for miter cutting machine, as shown and described.

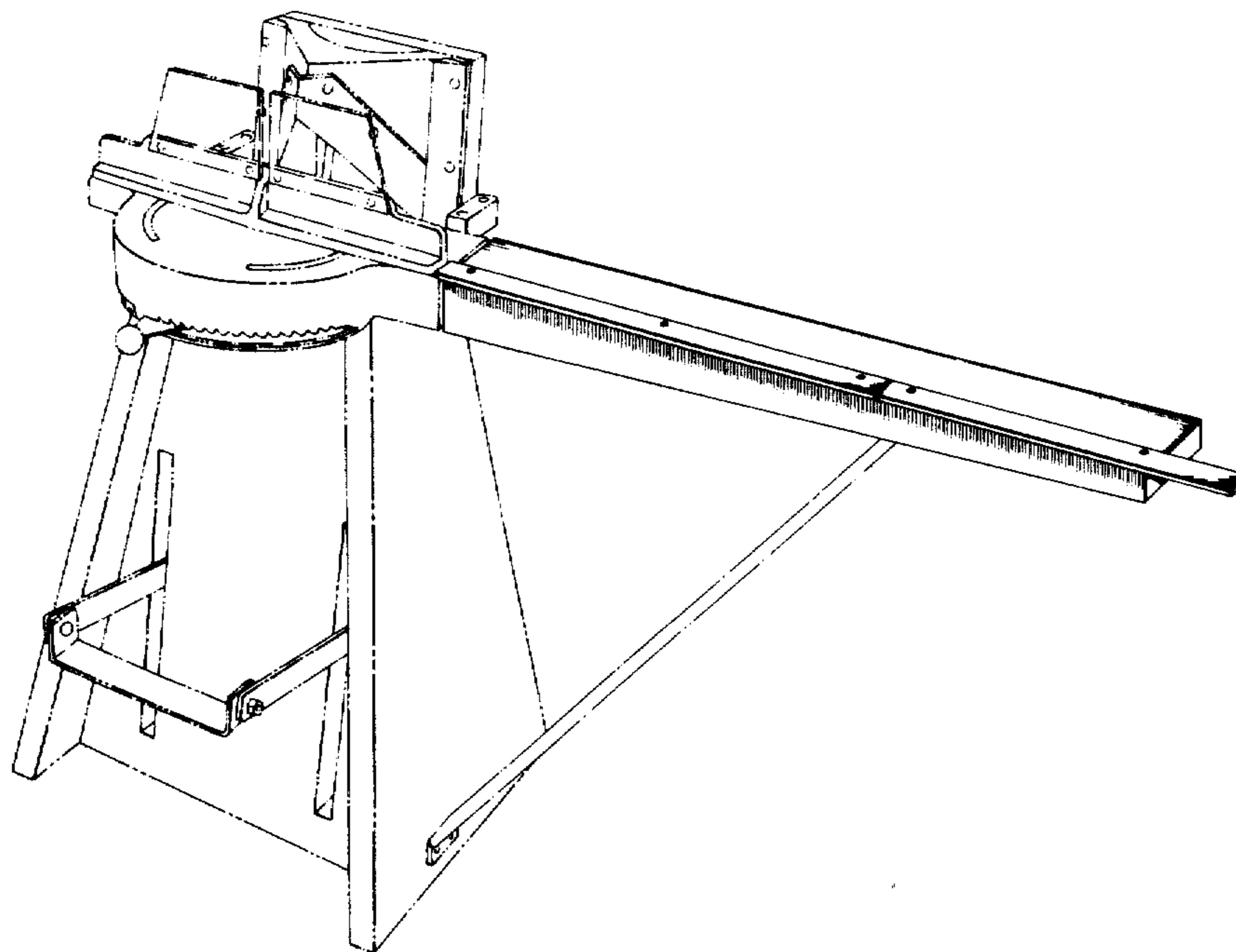
DESCRIPTION

FIG. 1 is an enlarged perspective view of a gage bar for miter cutting machine showing my new design, the miter cutting machine being shown in broken lines for illustrative purposes only;
 FIG. 2 is a front view thereof, again the miter cutting machine is shown in broken lines for illustrative purposes only;
 FIG. 3 is an end view taken from the right of FIG. 1.
 FIG. 4 is a rear view thereof.
 FIG. 5 is a top view thereof.
 The bottom being unornamented.

[56] **References Cited**

U.S. PATENT DOCUMENTS

882,331 3/1908 Massey 144/216
 1,013,010 12/1911 Graham 83/468
 4,193,331 3/1980 Gathings 83/561



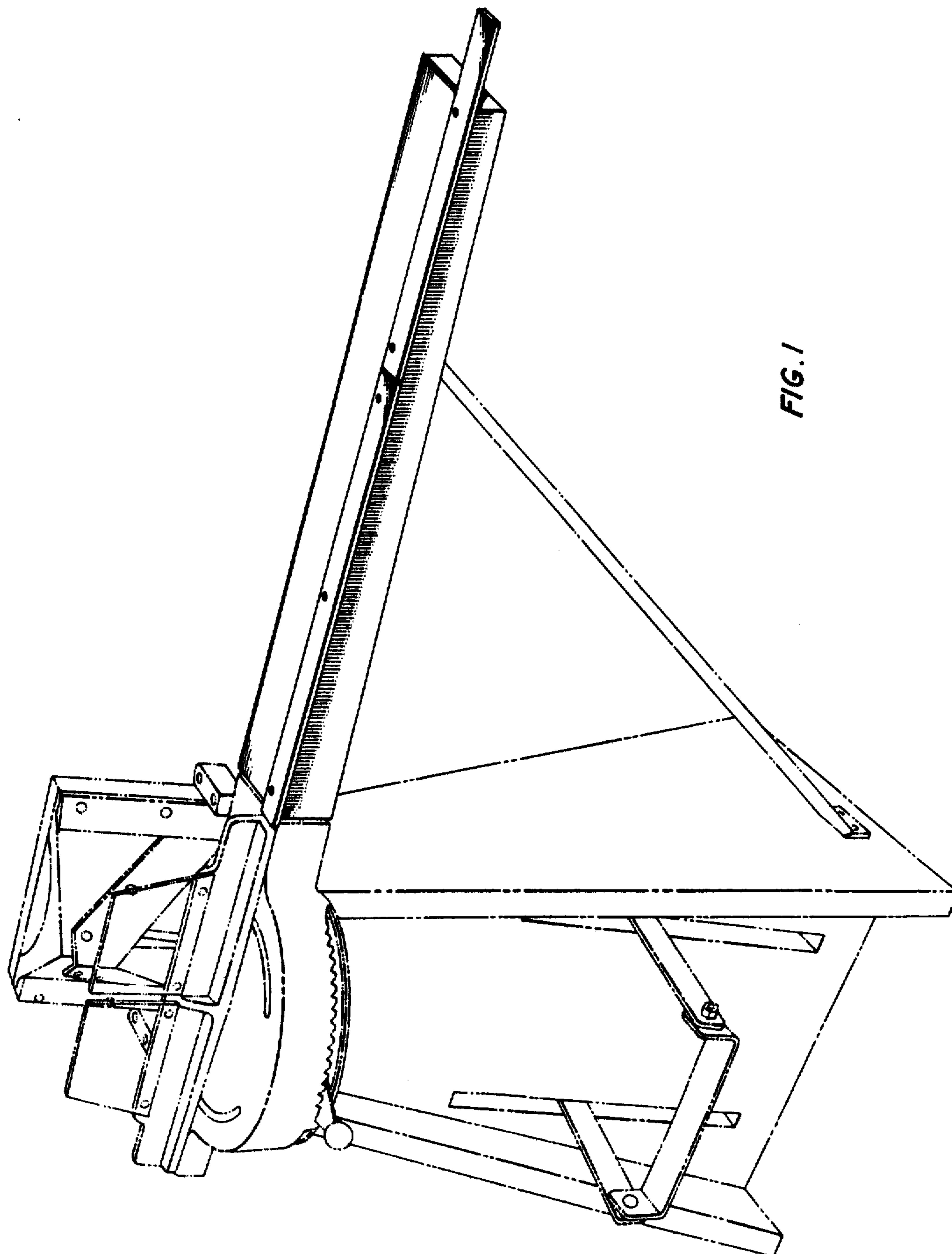


FIG. 1

FIG. 2

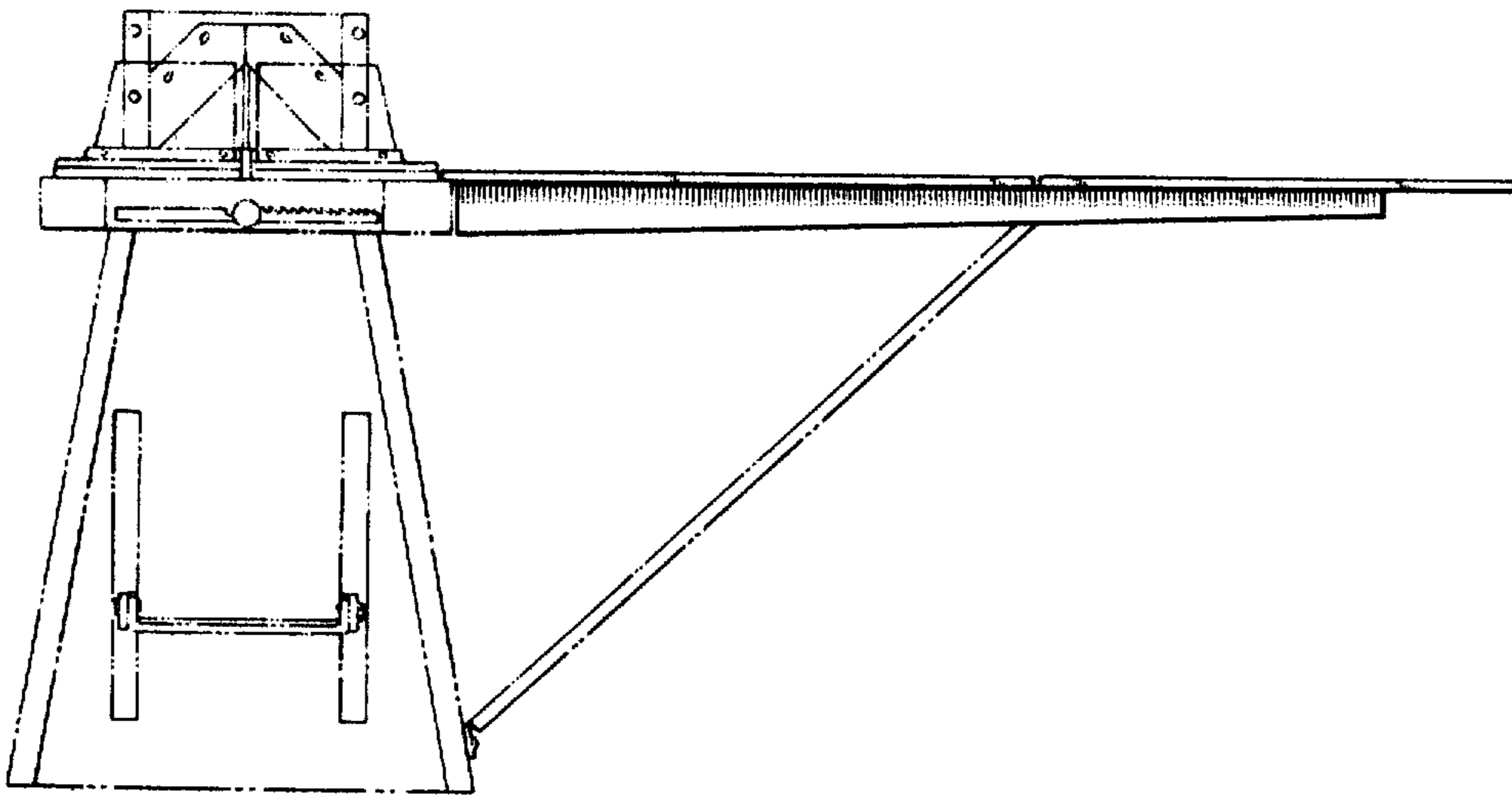


FIG 3 



FIG. 4

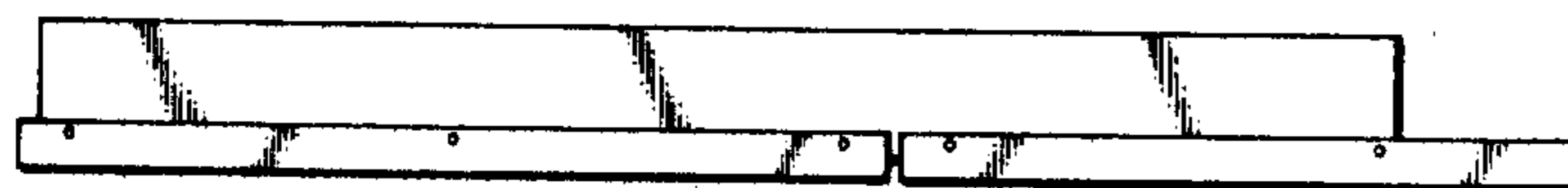


FIG. 5