

[54] CARTRIDGE FOR MAGNETIC DISC

[75] Inventor: Shigeru Yoshida, Chichibu, Japan

[73] Assignees: Canon Kabushiki Kaisha; Canon Denshi Kabushiki Kaisha, both of Tokyo, Japan

[**] Term: 14 Years

[21] Appl. No.: 230,351

[22] Filed: Jan. 30, 1981

[30] Foreign Application Priority Data

Aug. 22, 1980 [JP] Japan 55-34316

[52] U.S. Cl. D14/114

[58] Field of Search D14/100-117, D14/11; 360/97, 98, 99, 133, 132, 135; 206/444

[56] References Cited

U.S. PATENT DOCUMENTS

3,951,264 4/1976 Heidecker et al. 360/99 X

OTHER PUBLICATIONS

Radio Shack ® TRS-80 Catalog RSC-3, ©1979, p. 21, Diskette.

Primary Examiner—Susan J. Lucas
Attorney, Agent, or Firm—Fitzpatrick, Cella, Harper & Scinto

[57] CLAIM

The ornamental design for a cartridge for magnetic disc, as shown and described.

DESCRIPTION

FIG. 1 is a top plan view of the cartridge for magnetic disc showing my new design;
FIG. 2 is a front view thereof, the rear being a mirror image;
FIG. 3 is a bottom plan view thereof;
FIG. 4 is a side elevational view as seen from the right of FIG. 2;
FIG. 5 is a side elevational view as seen from the left of FIG. 2;
FIG. 6 is a perspective view of the cartridge.



FIG. 1

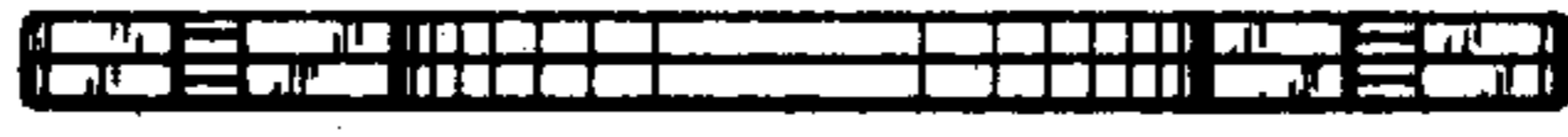


FIG. 2

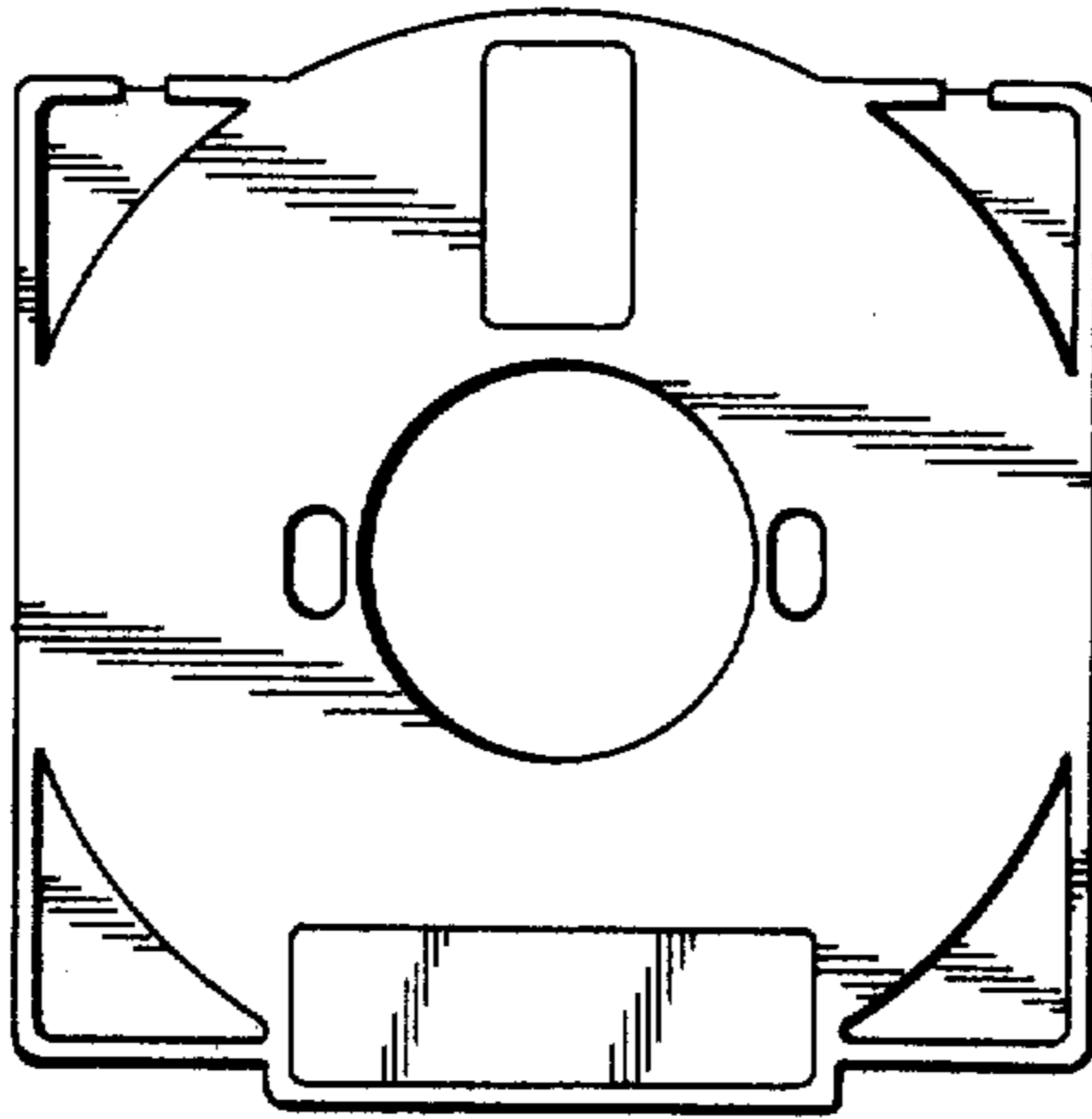


FIG. 3

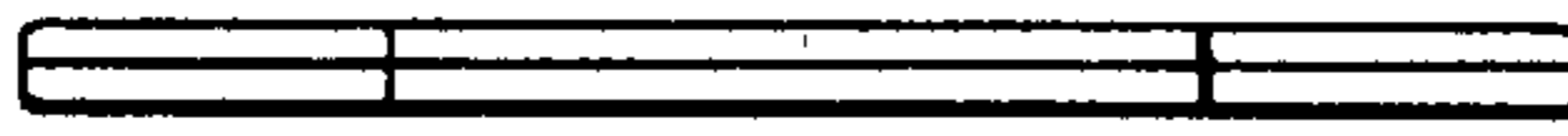


FIG. 4



FIG. 5



FIG. 6

