

[54] FOOD PACKAGING TRAY

[76] Inventor: George B. Braddon, 26 Maple Ave.,  
Holcomb, N.Y. 14469

[\*\*] Term: 14 Years

[21] Appl. No.: 288,666

[22] Filed: Jul. 30, 1981

[52] U.S. Cl. .... D9/425

[58] Field of Search ..... D9/425, 456; 229/1.5 R,  
229/2.5 R, 30; 220/72; D7/37

[56] References Cited

U.S. PATENT DOCUMENTS

D. 194,814 3/1963 Engles, Jr. et al. .... D9/425

D. 207,131 3/1967 Peace ..... D9/425  
D. 217,338 4/1970 Britt ..... D9/425  
D. 240,714 7/1976 White ..... D9/425  
D. 249,238 9/1978 Limon et al. .... D9/425

Primary Examiner—Robert C. Spangler  
Attorney, Agent, or Firm—James E. Bradley

[57] CLAIM

The ornamental design for a food packaging tray,  
shown and described.

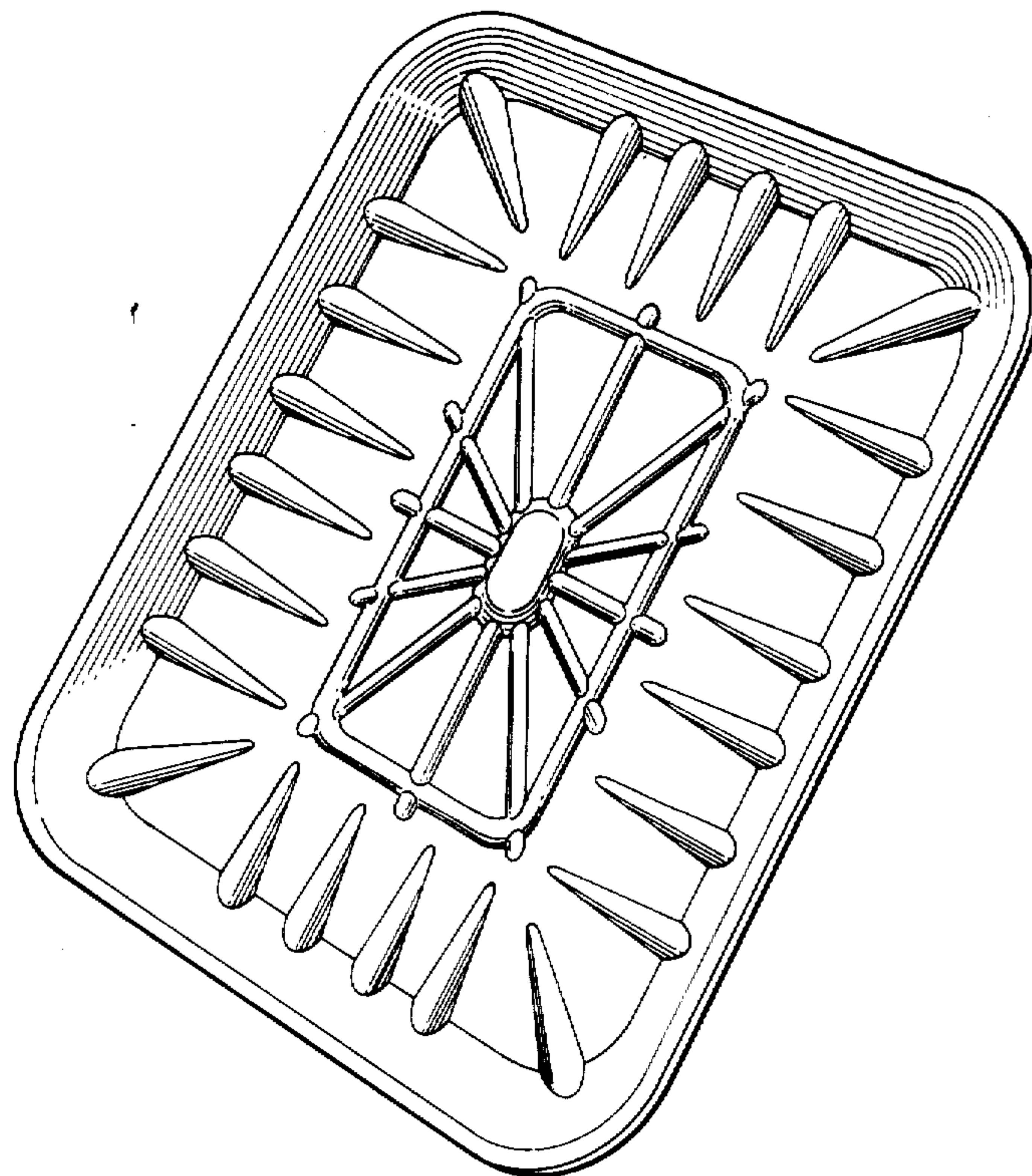
DESCRIPTION

FIG. 1 is a perspective view of a food packaging tray  
embodying my new design.

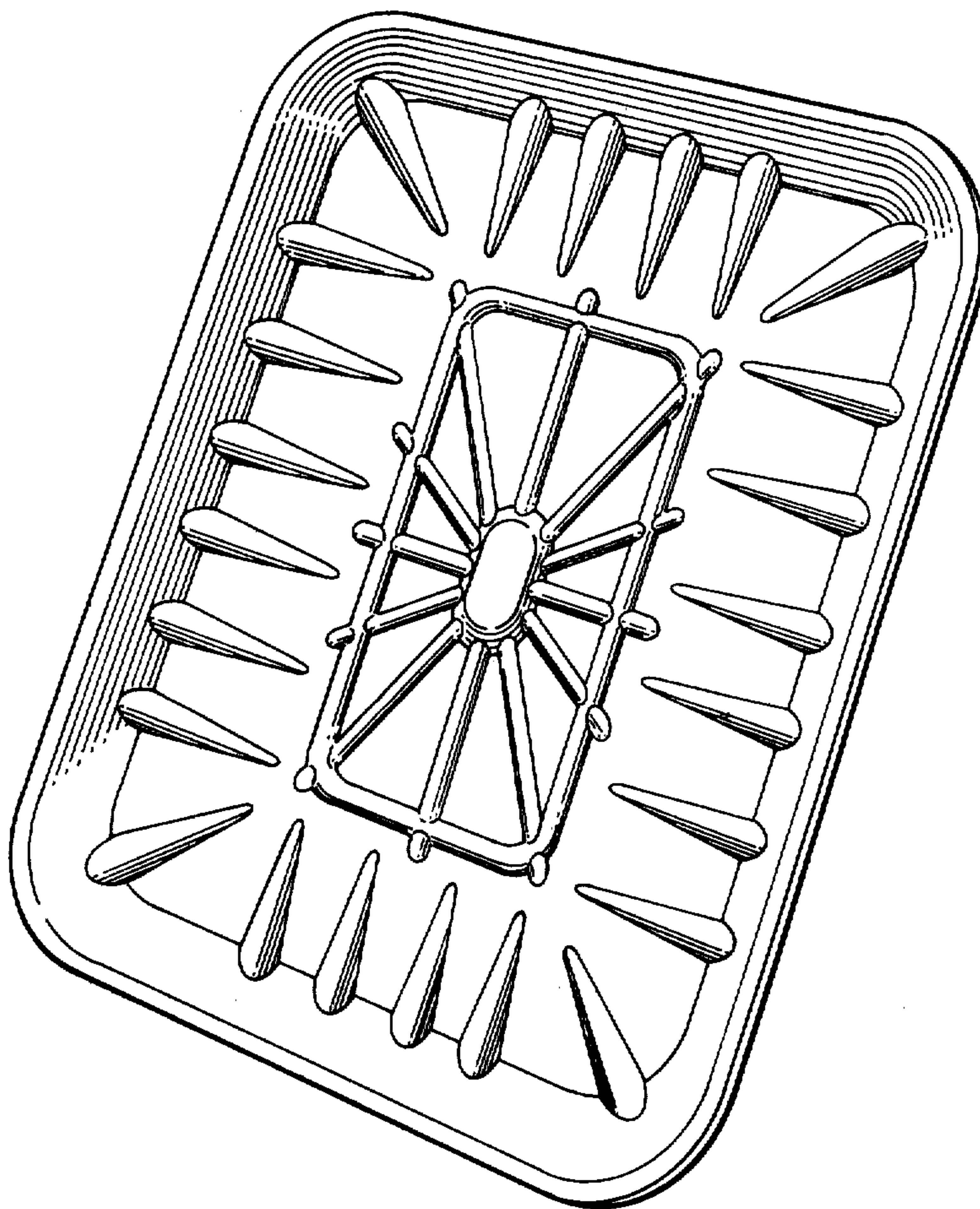
FIG. 2 is a bottom view;

FIG. 3 is a side view, the opposite side being identical;

FIG. 4 is an end view, the opposite end being identical.

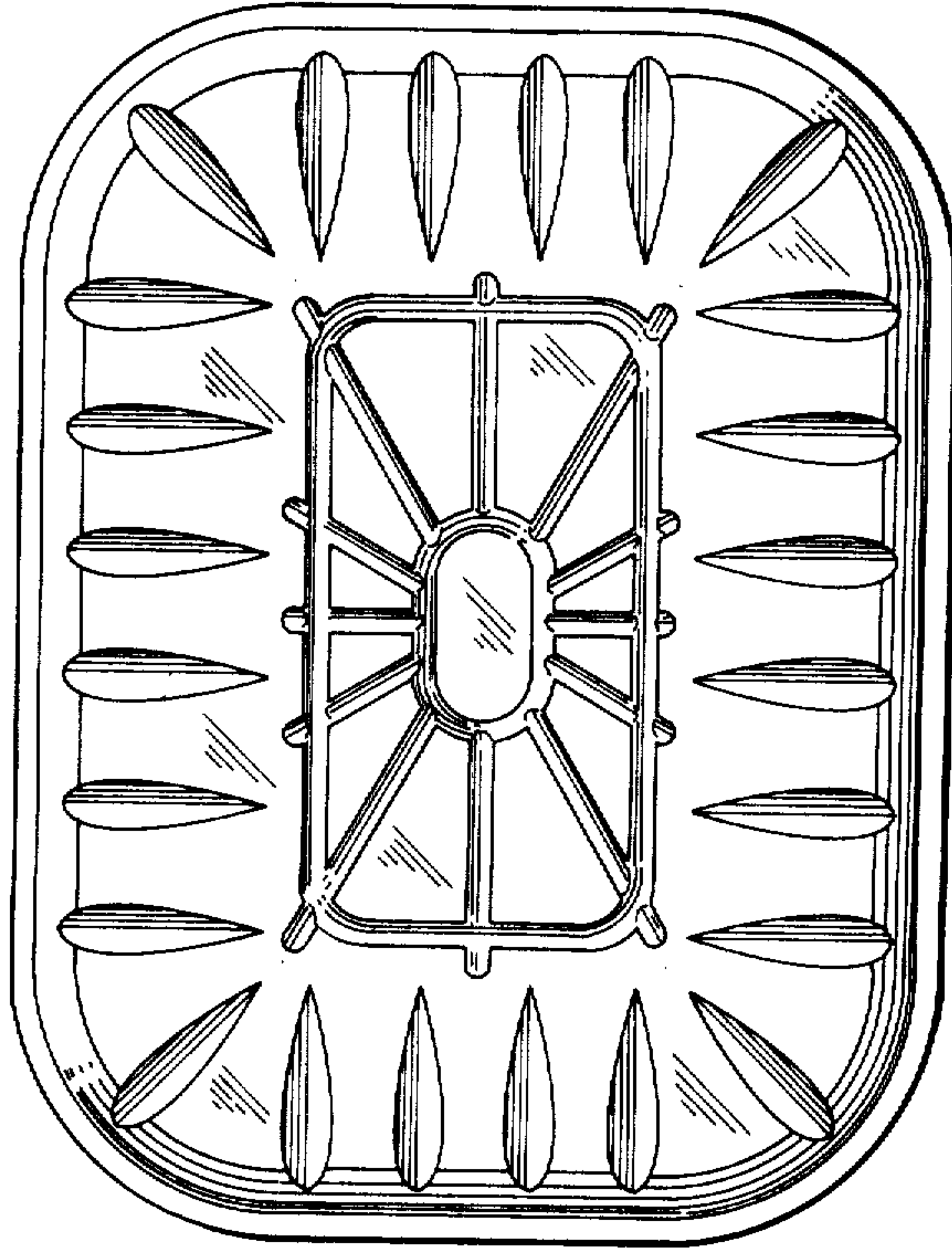


*Fig. 1*



*Fig. 2*

*Fig. 3*



*Fig. 4*