

[54] PACKAGING CONTAINER FOR A RIBBON CARTRIDGE

[76] Inventor: Sydney Shore, 38-40 48th St., Long Island City, N.Y. 11004

[**] Term: 14 Years

[21] Appl. No.: 347,601

[22] Filed: Feb. 10, 1982

[52] U.S. Cl. D9/346; D9/418; D9/432

[58] Field of Search 206/44 R, 45.26, 45.31, 206/387-389, 391, 395, 397; 229/16 R, 19, 20, 29 R, 17 SC, 6 R, 7 C, 41 B; D9/418, 419, 432, 433, 341, 346

[56] References Cited

U.S. PATENT DOCUMENTS

D. 214,970 8/1969 Huck D9/418 X

D. 267,544	1/1983	Neto et al.	D9/418 X
3,089,631	5/1963	Tyrseck et al.	229/29 F X
3,215,332	11/1965	Bess	D9/432 X
3,761,010	9/1973	Rosenburg, Jr.	229/19
3,949,928	4/1976	Perkins	229/19
4,361,270	11/1982	Roccaforte	229/17 SC
4,369,884	1/1983	Daughters	206/389

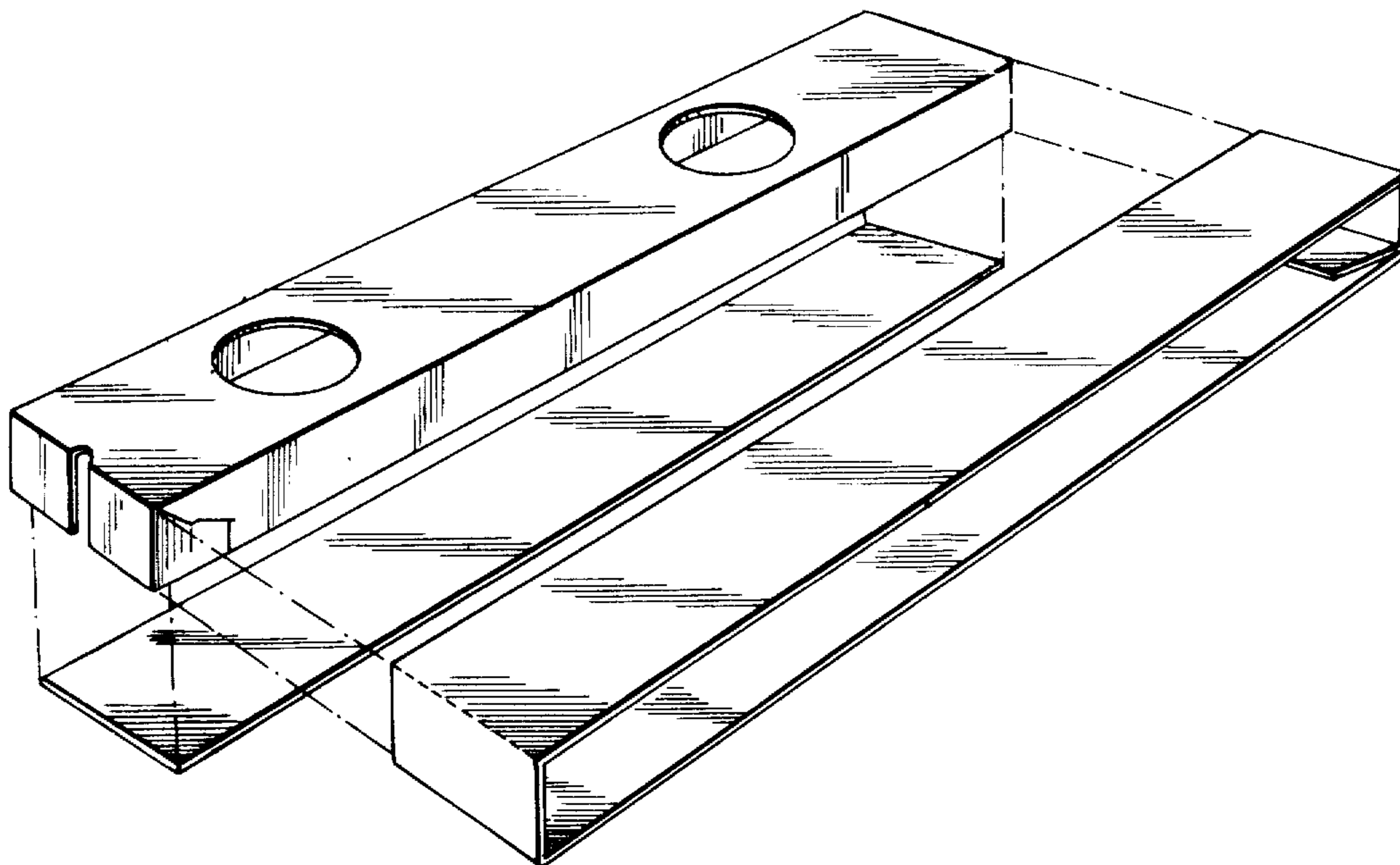
Primary Examiner—Robert C. Spangler

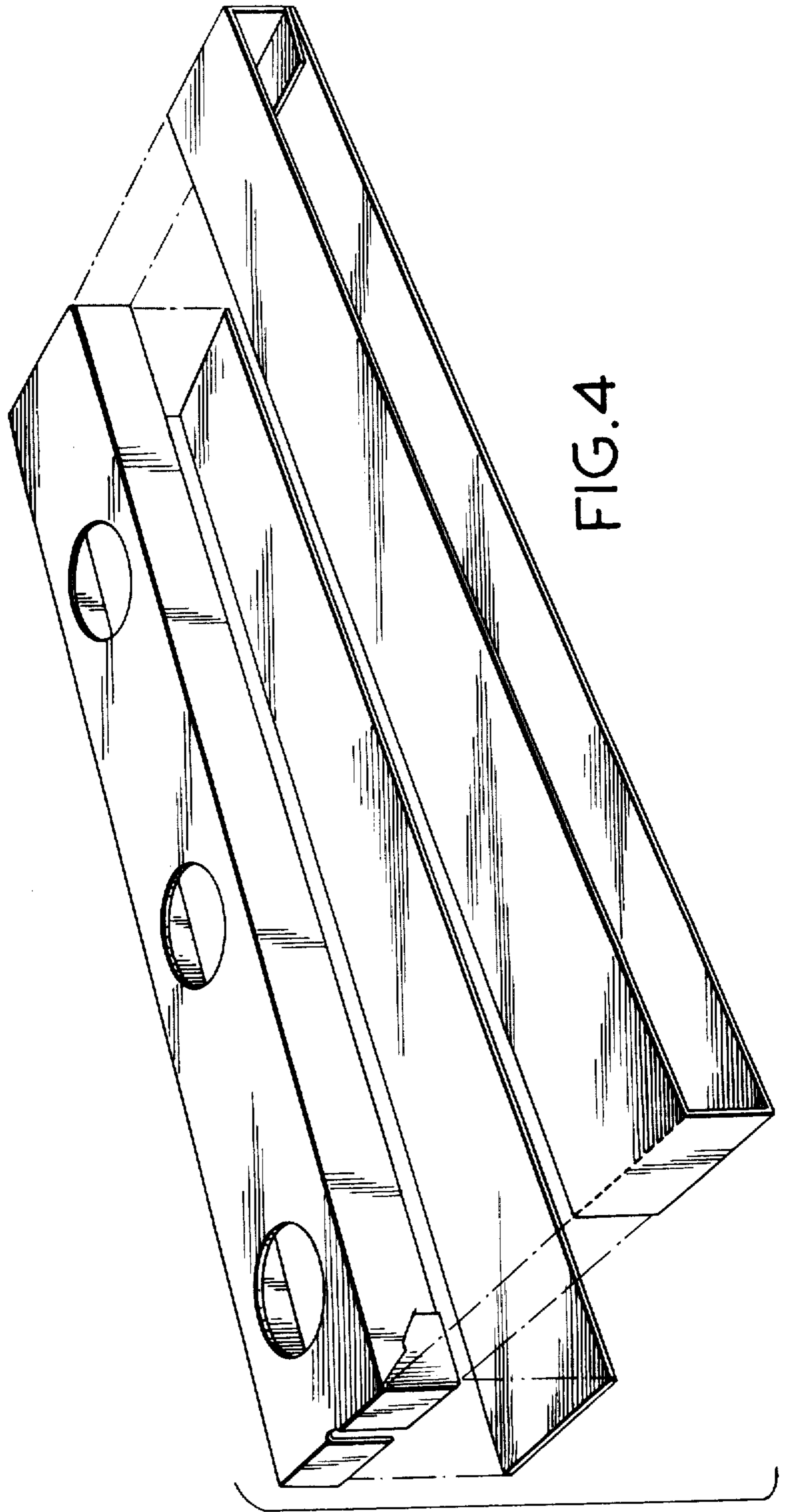
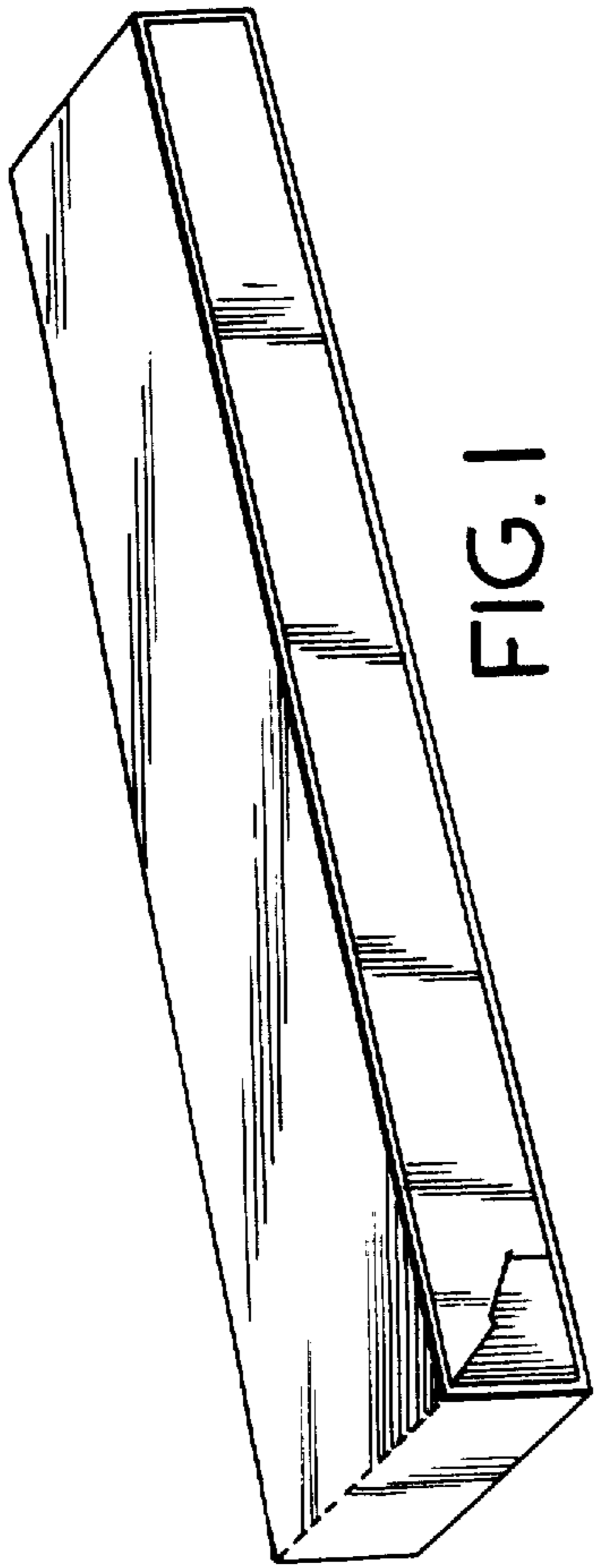
[57] CLAIM

The ornamental design for a packaging container for a ribbon cartridge, as shown and described.

DESCRIPTION

FIG. 1 is a perspective view of a packaging container for a ribbon cartridge showing my new design; FIG. 2 is an exploded perspective view; FIG. 3 is an exploded view in an unfolded condition; and FIG. 4 is a view similar to FIG. 2 but showing a modified form of my new design.





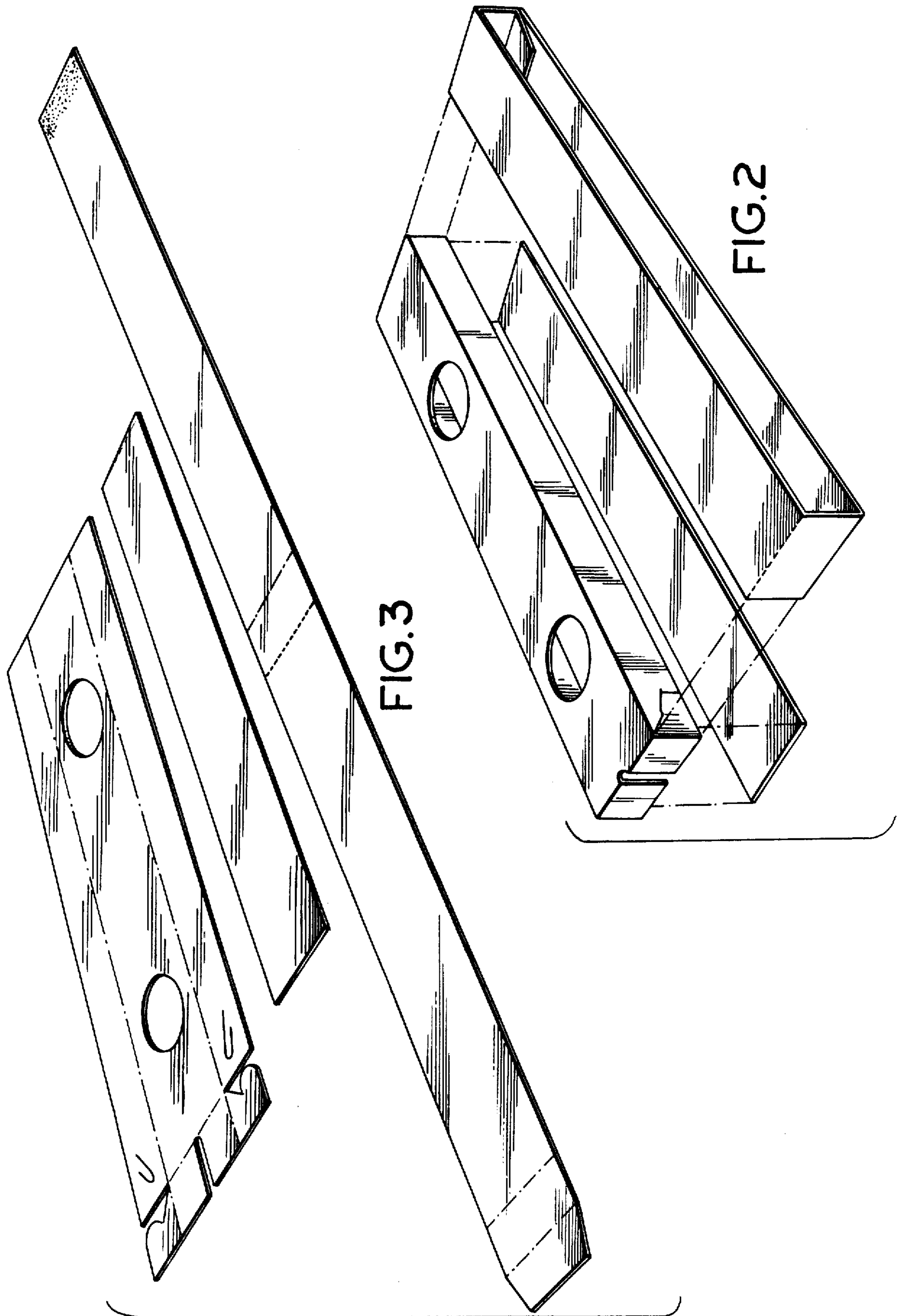


FIG. 2

FIG. 3