

- [54] **WALL AND CEILING HOOK TOOL HEAD,
FOR USE IN FIGHTING FIRES**
- [76] **Inventor: Theodore Ziaylek, Jr., P.O. Box 337,
Yardley, Pa. 19067**
- [**] **Term: 14 Years**
- [21] **Appl. No.: 352,617**
- [22] **Filed: Feb. 26, 1982**
- [52] **U.S. Cl. D8/81; D8/89;
D8/105**
- [58] **Field of Search D8/81, 89, 105, 98,
D8/14; 7/145, 166**

[56] **References Cited**
U.S. PATENT DOCUMENTS

D. 216,773	3/1970	Daniels	D8/89
D. 226,162	1/1973	Ziaylek, Jr.	D8/81
3,599,255	8/1971	Carroll, Sr.	7/145 X
4,030,150	6/1977	Fisher	7/145

Primary Examiner—Alan P. Douglas
Attorney, Agent, or Firm—Frederick A. Zoda; John J. Kane

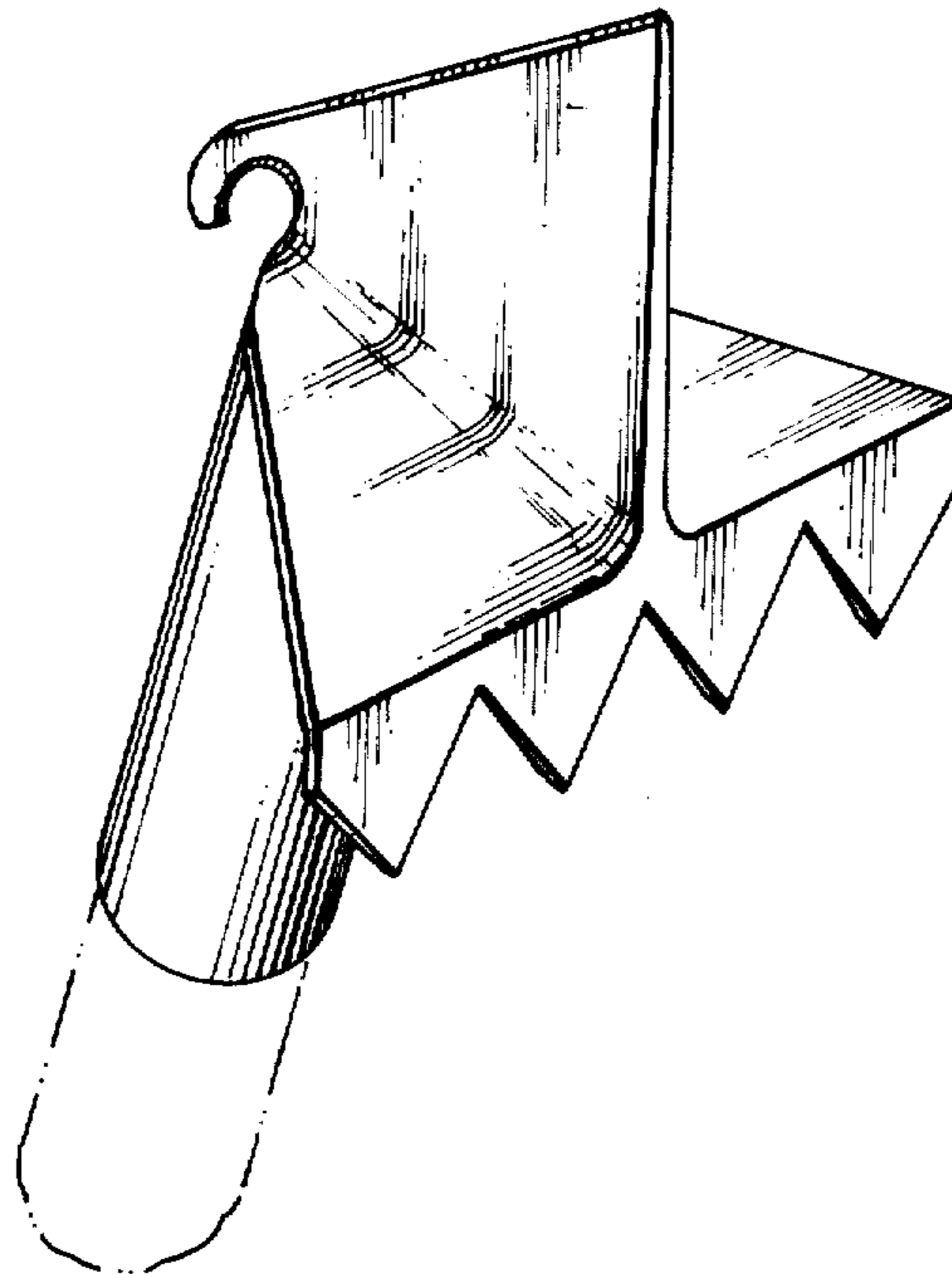
[57] **CLAIM**

The ornamental design for a wall and ceiling hook tool head, for use in fighting fires, as shown and described.

DESCRIPTION

FIG. 1 is a front perspective view of a wall and ceiling hook tool head embodying my new design;
FIG. 2 is a rear perspective view of the wall and ceiling hook tool head shown in FIG. 1;
FIG. 3 is a top plan view;
FIG. 4 is a bottom plan view;
FIG. 5 is a front elevational view; and
FIG. 6 is a side elevational view of the wall and ceiling hook tool head shown in FIG. 1 as seen from the left of FIG. 3.

The broken lines show, fragmentarily, a tool handle, and are for illustrative purposes only.



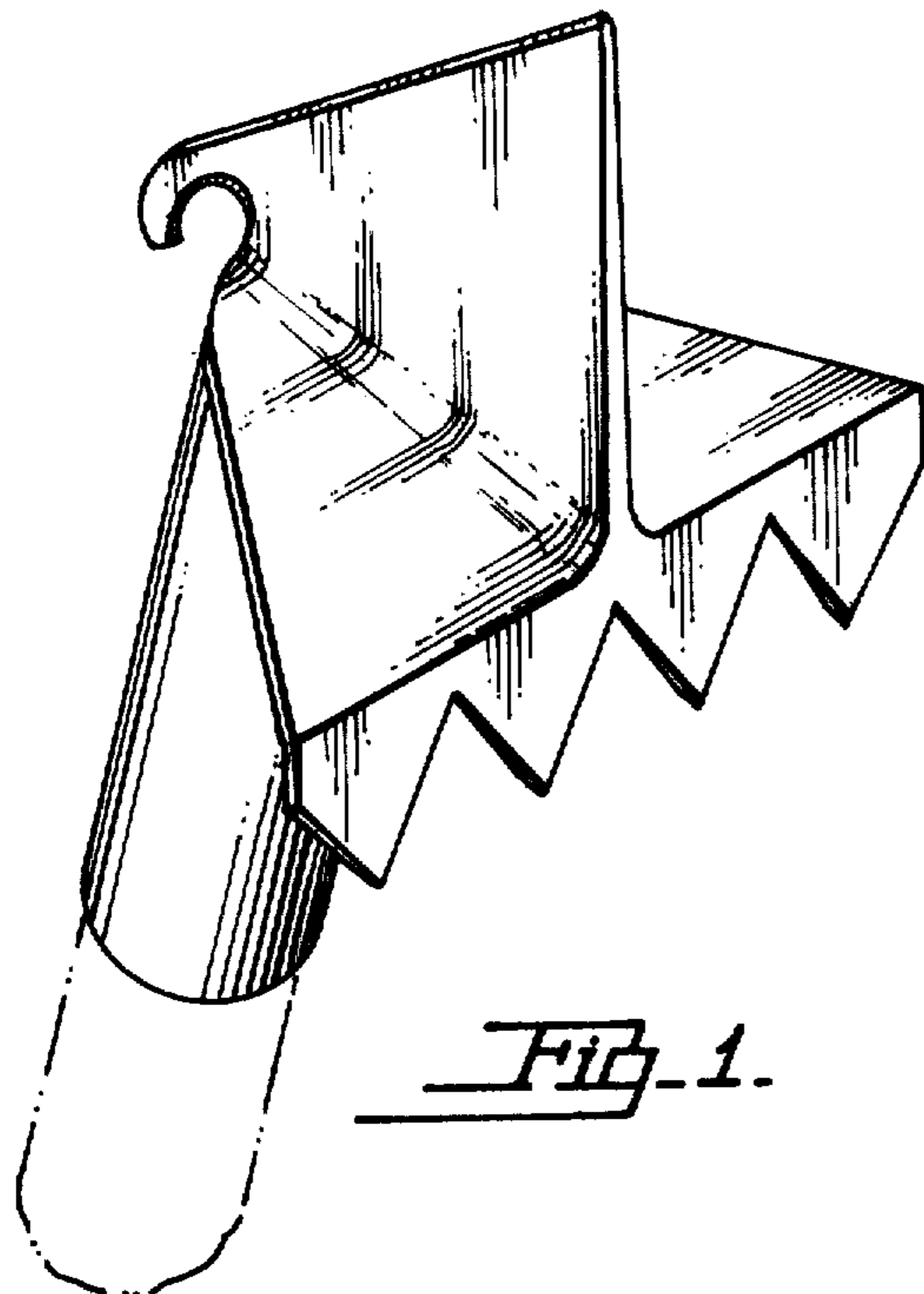


Fig. 1.

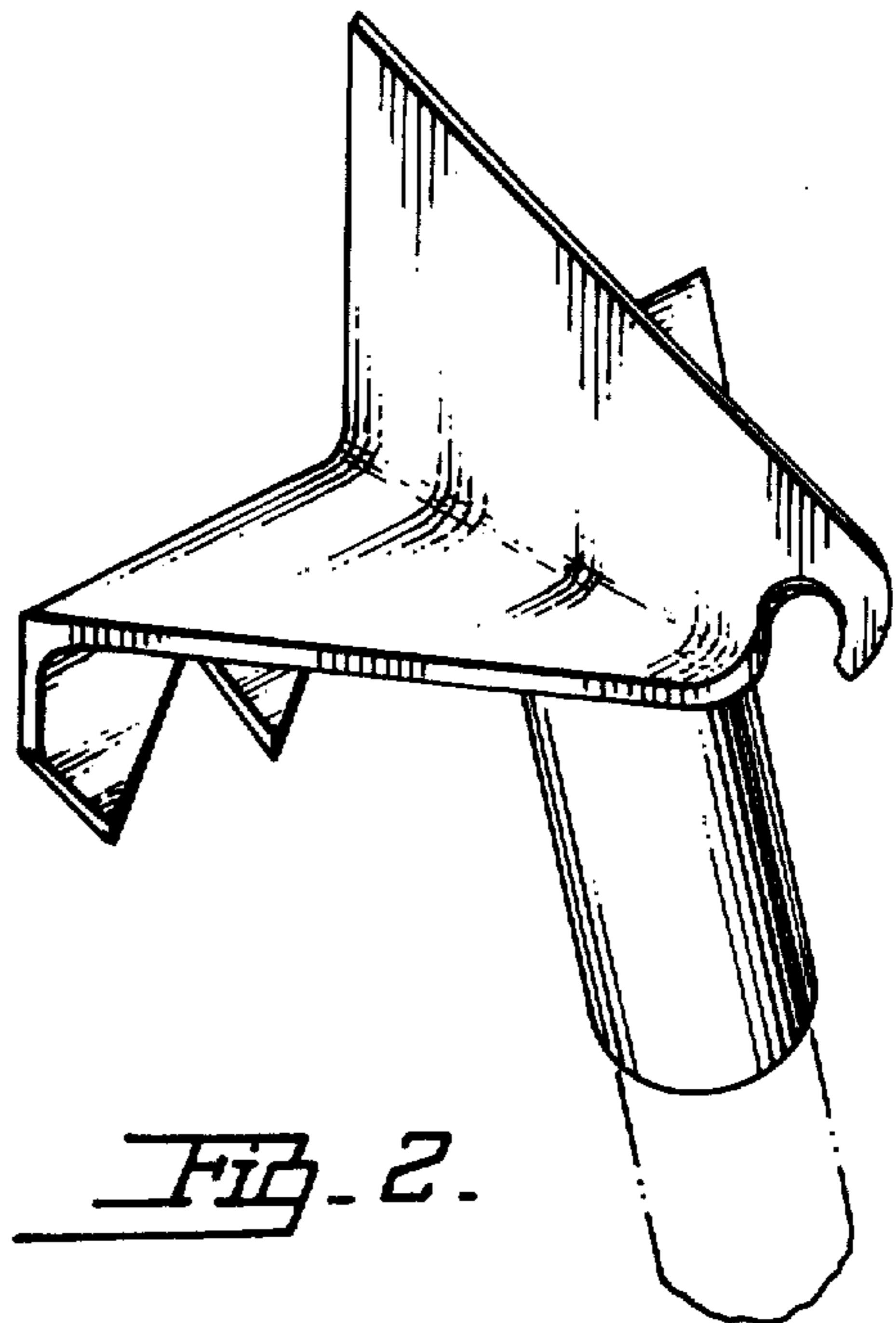


Fig. 2.

Fig. 3.

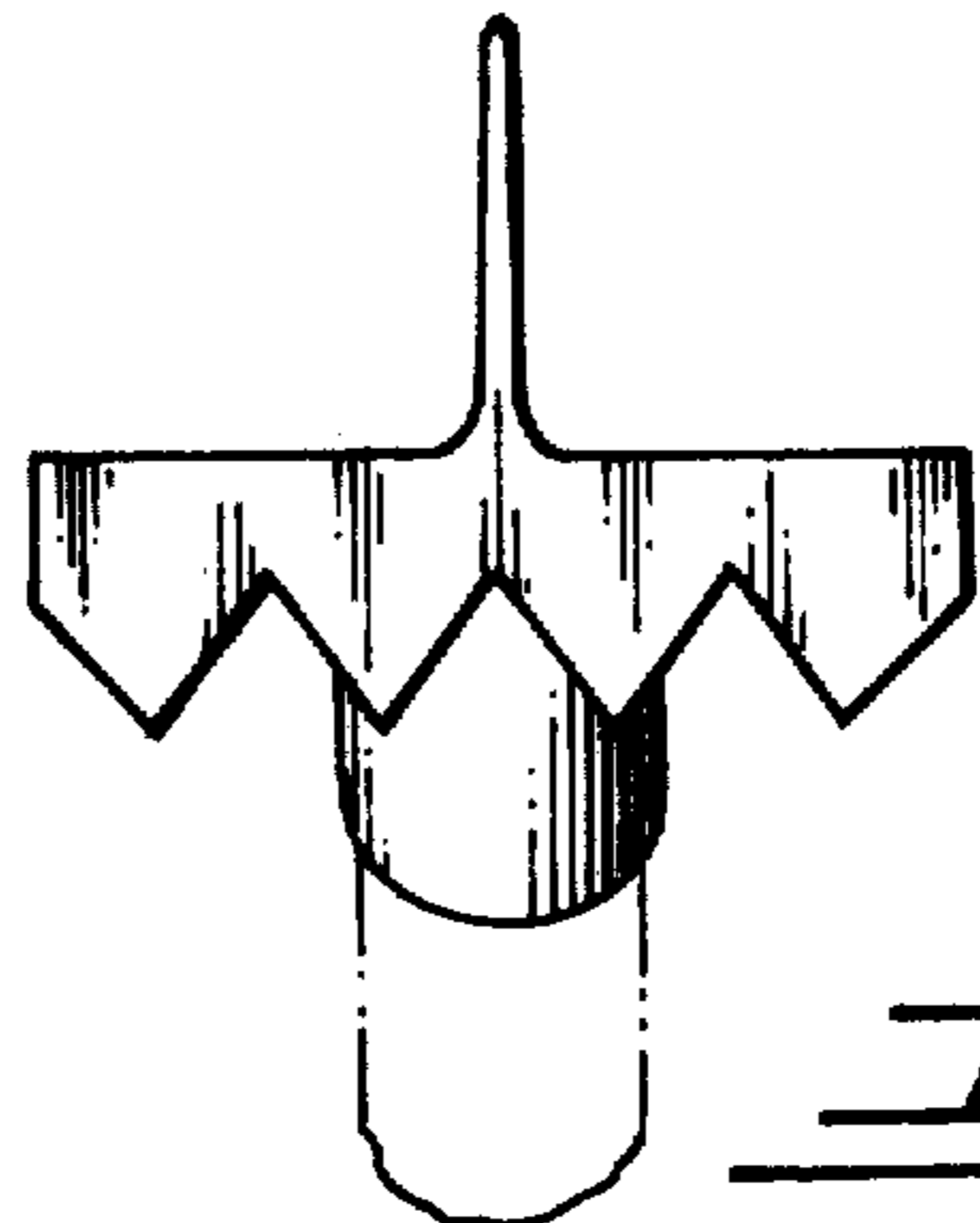
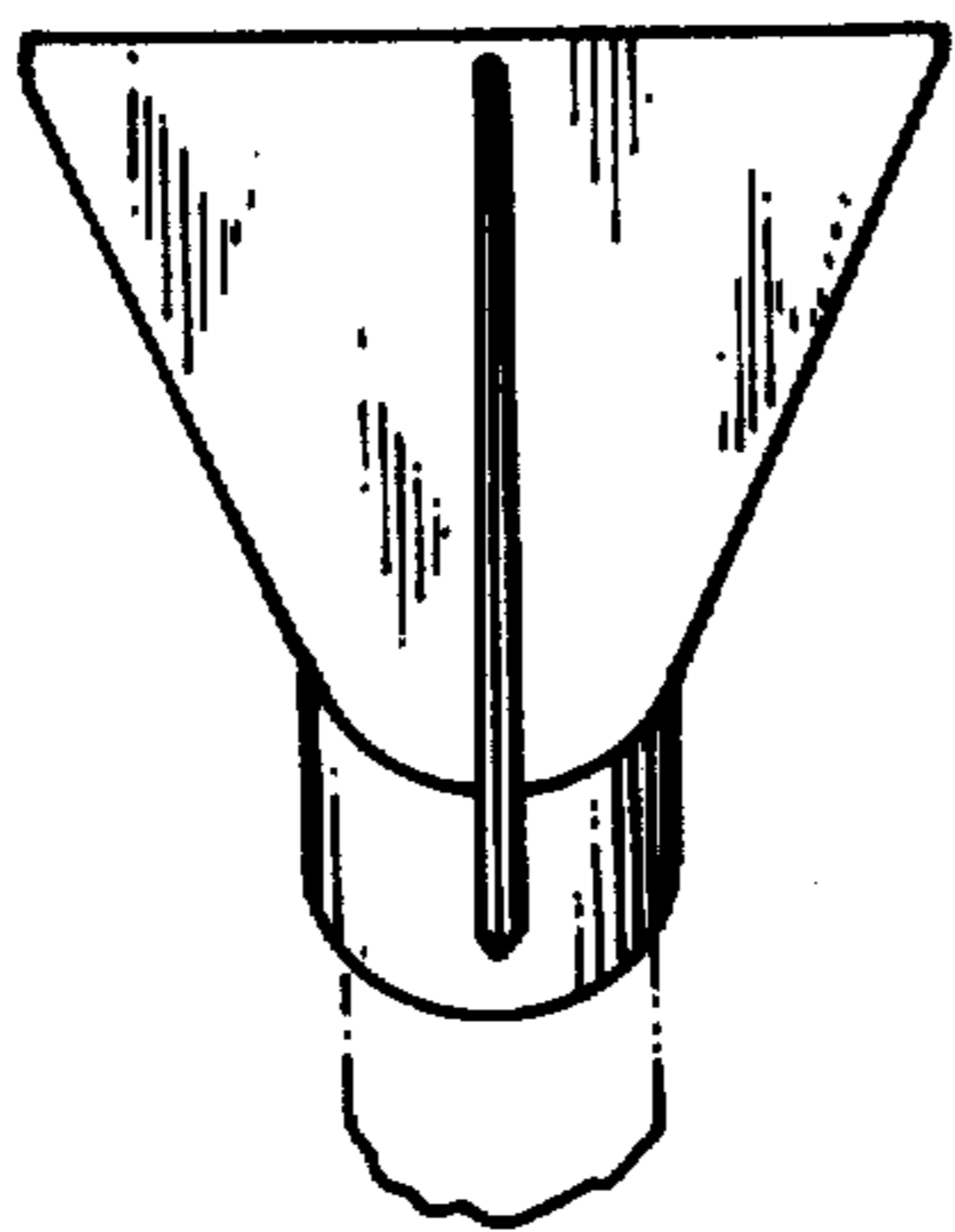


Fig. 5.

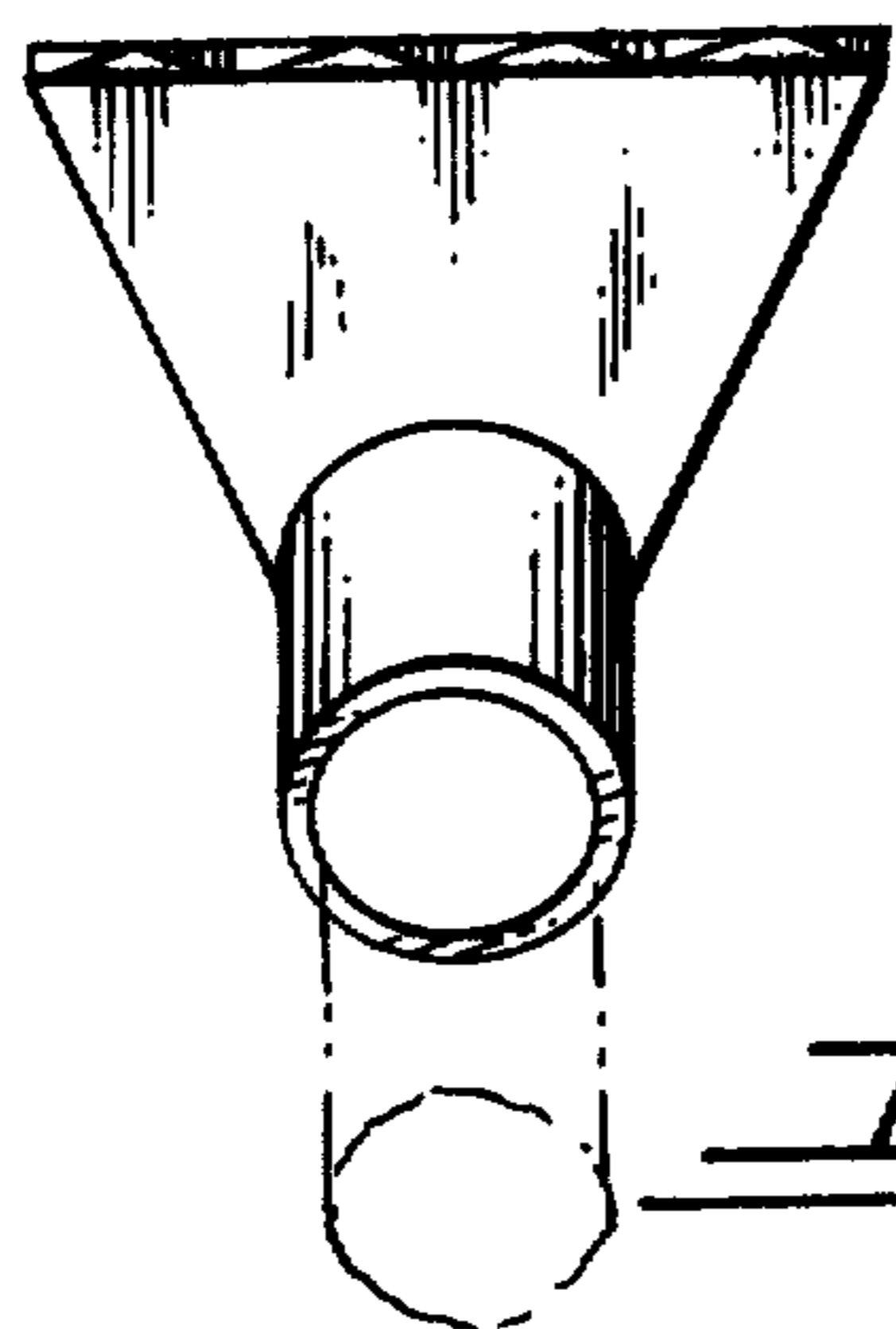


Fig. 4.

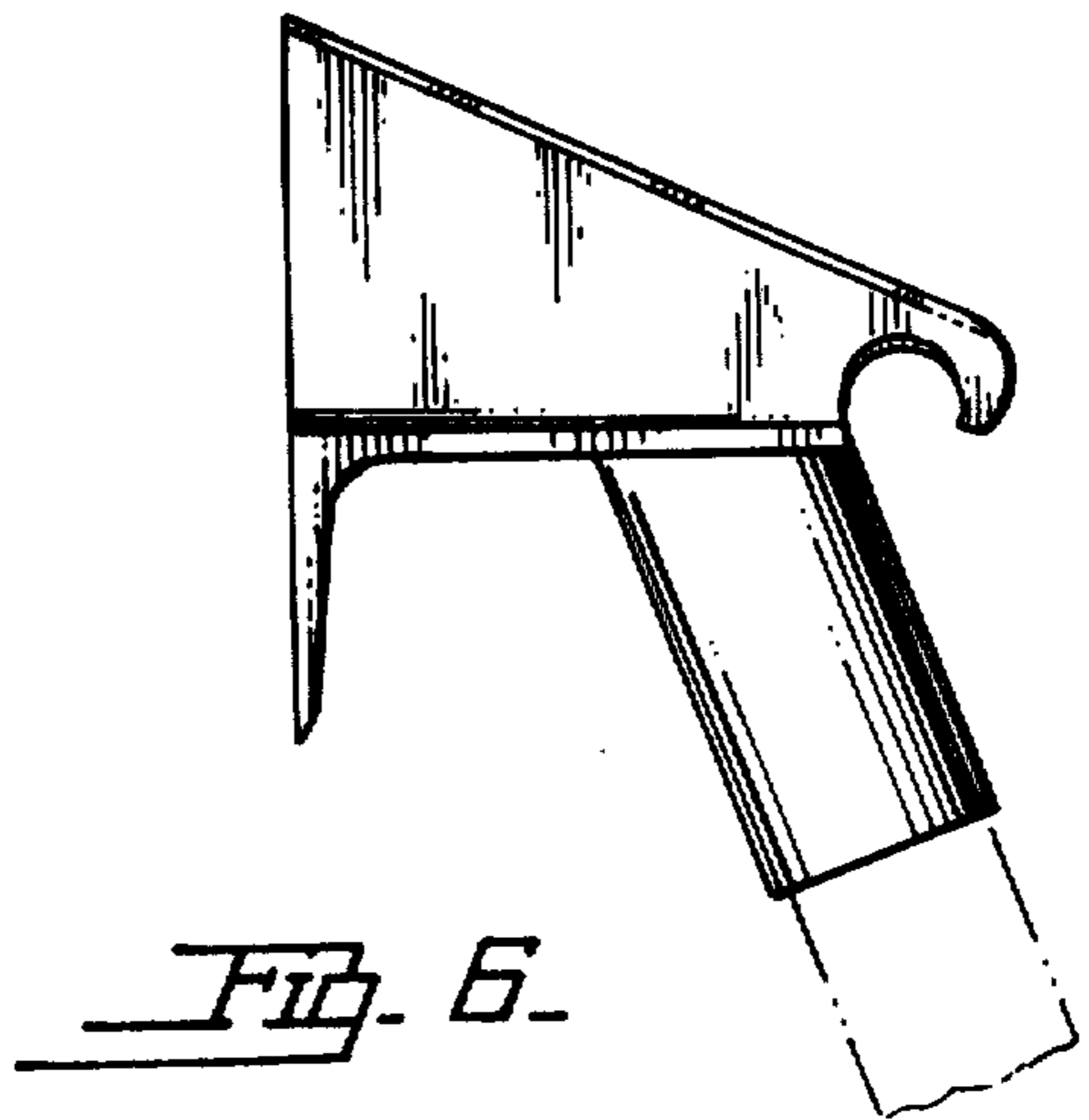


Fig. 6.