

[54] **SAW SHARPENING GUIDE**

[76] **Inventor:** **Cornelis J. M. Beerens**, 40-42  
Berkshire Rd., North Sunshine,  
Victoria, Australia

[\*\*] **Term:** **14 Years**

[21] **Appl. No.:** **240,464**

[22] **Filed:** **Mar. 4, 1981**

[30] **Foreign Application Priority Data**

Oct. 10, 1980 [AU]	Australia .....	82277
[52] U.S. Cl. ....		<b>D8/71</b>
[58] Field of Search .....	D8/71, 91; 76/25 A,	76/36

[56] **References Cited**

**U.S. PATENT DOCUMENTS**

D. 257,527	11/1980	Akasamit .....	D8/71
3,172,307	3/1965	Kephart, Jr. ....	76/251 A
3,670,600	6/1972	Arff .....	76/36
4,228,702	10/1980	Stewart et al. ....	76/36

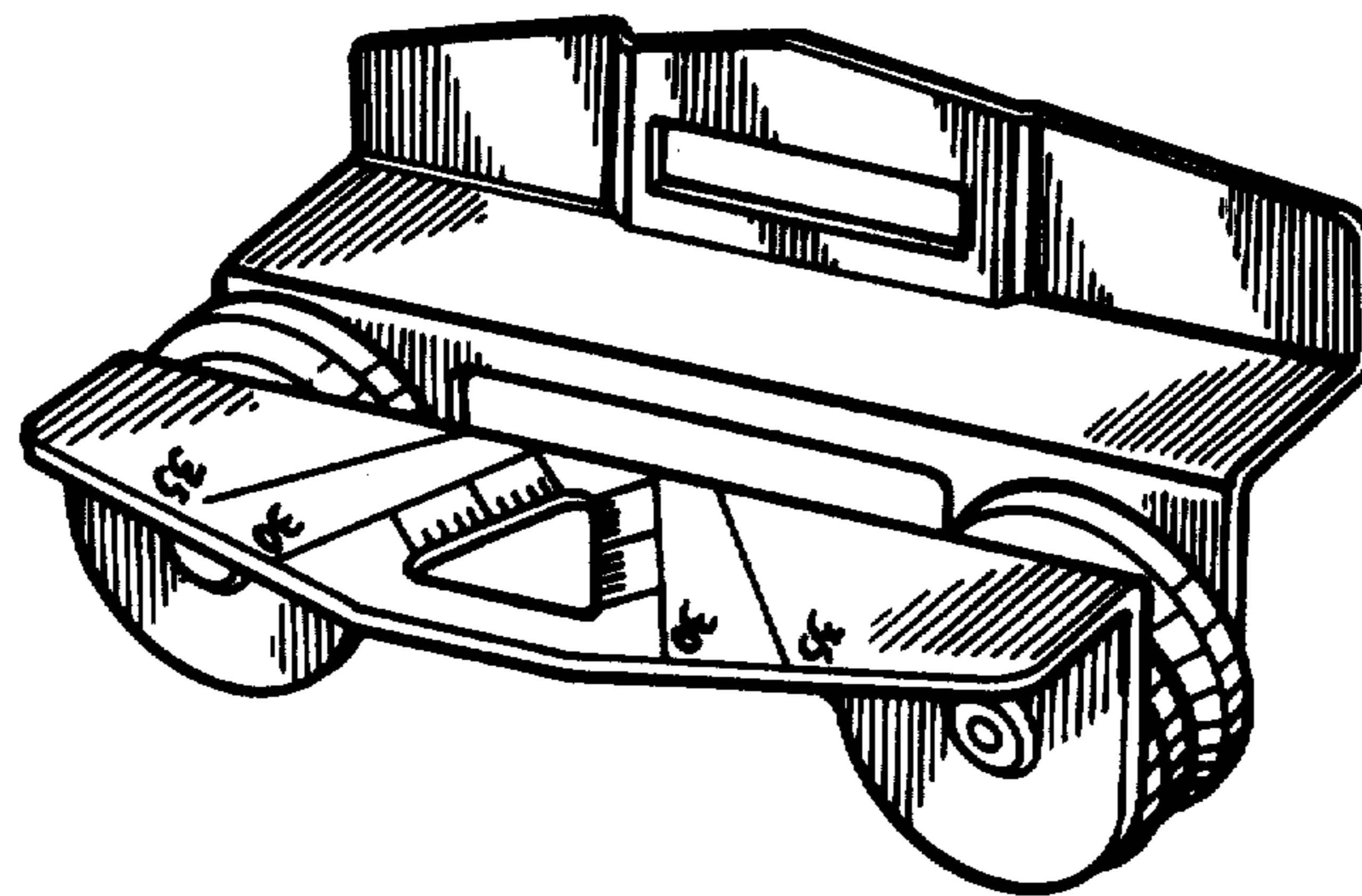
*Primary Examiner*—Alan P. Douglas  
*Attorney, Agent, or Firm*—Wigman & Cohen

[57] **CLAIM**

The ornamental design for a saw sharpening guide, as described and shown.

**DESCRIPTION**

FIG. 1 is a perspective view from above of the saw sharpening guide.  
FIG. 2 is a perspective view from below of the saw sharpening guide.



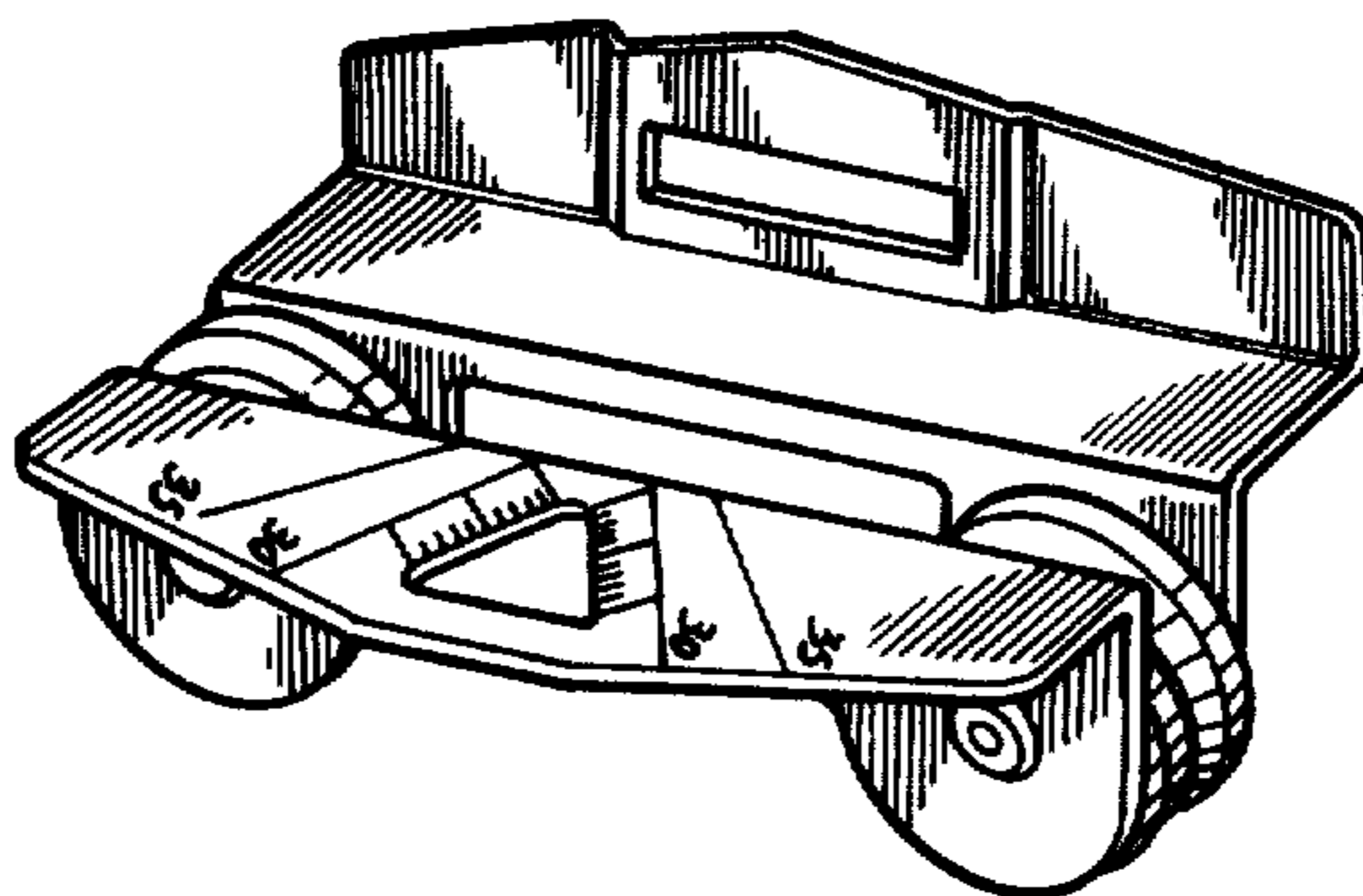


FIG. 1

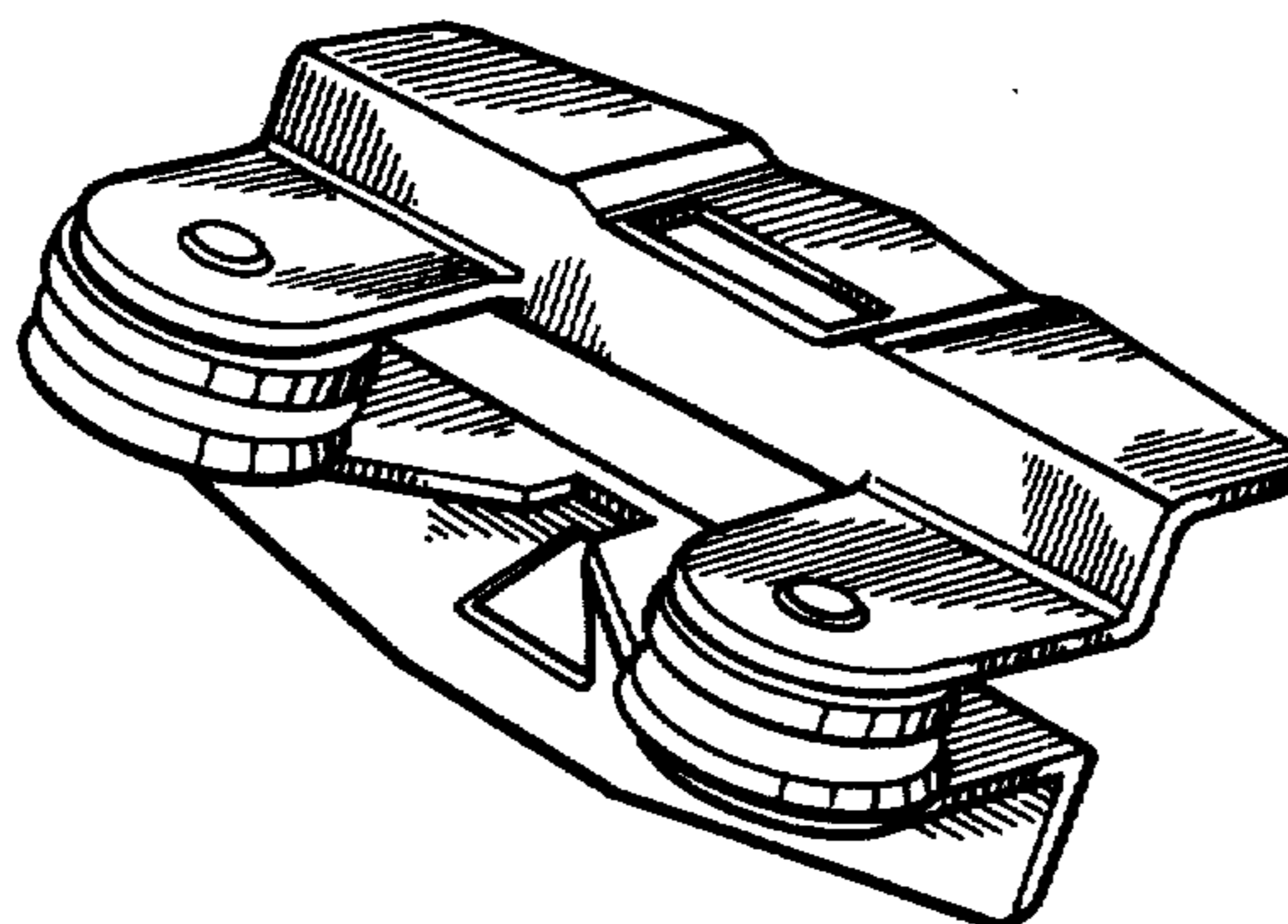


FIG. 2