

[54] CAR POLISHER

[76] Inventor: Tit-Wing Poon, 12F Lam Uk Village, Chaiwan, Hong Kong

[**] Term: 14 Years

[21] Appl. No.: 276,313

[22] Filed: Jun. 22, 1981

[30] Foreign Application Priority Data

Mar. 9, 1981 [GB] United Kingdom 999316

[52] U.S. Cl. D8/62

[58] Field of Search D8/61, 62, 67; 15/28, 15/22 R, 22 A; 51/119, 170, 177

[56] References Cited

U.S. PATENT DOCUMENTS

D. 90,008	5/1933	Albertson	D8/67
D. 185,279	5/1959	Freedman et al.	D8/62 X
3,390,412	7/1968	Wolter et al.	51/170 PT X
3,448,476	6/1969	Zaccone	51/170 T X

Primary Examiner—Catherine E. Kemper
Attorney, Agent, or Firm—Townsend and Townsend

[57] CLAIM

The ornamental design for a car polisher, as shown.

DESCRIPTION

FIG. 1 is a top front perspective view of a car polisher, showing my new design;

FIG. 2 is a side elevational view thereof;

FIG. 3 is a rear elevational view thereof;

FIG. 4 is a bottom plan view thereof.

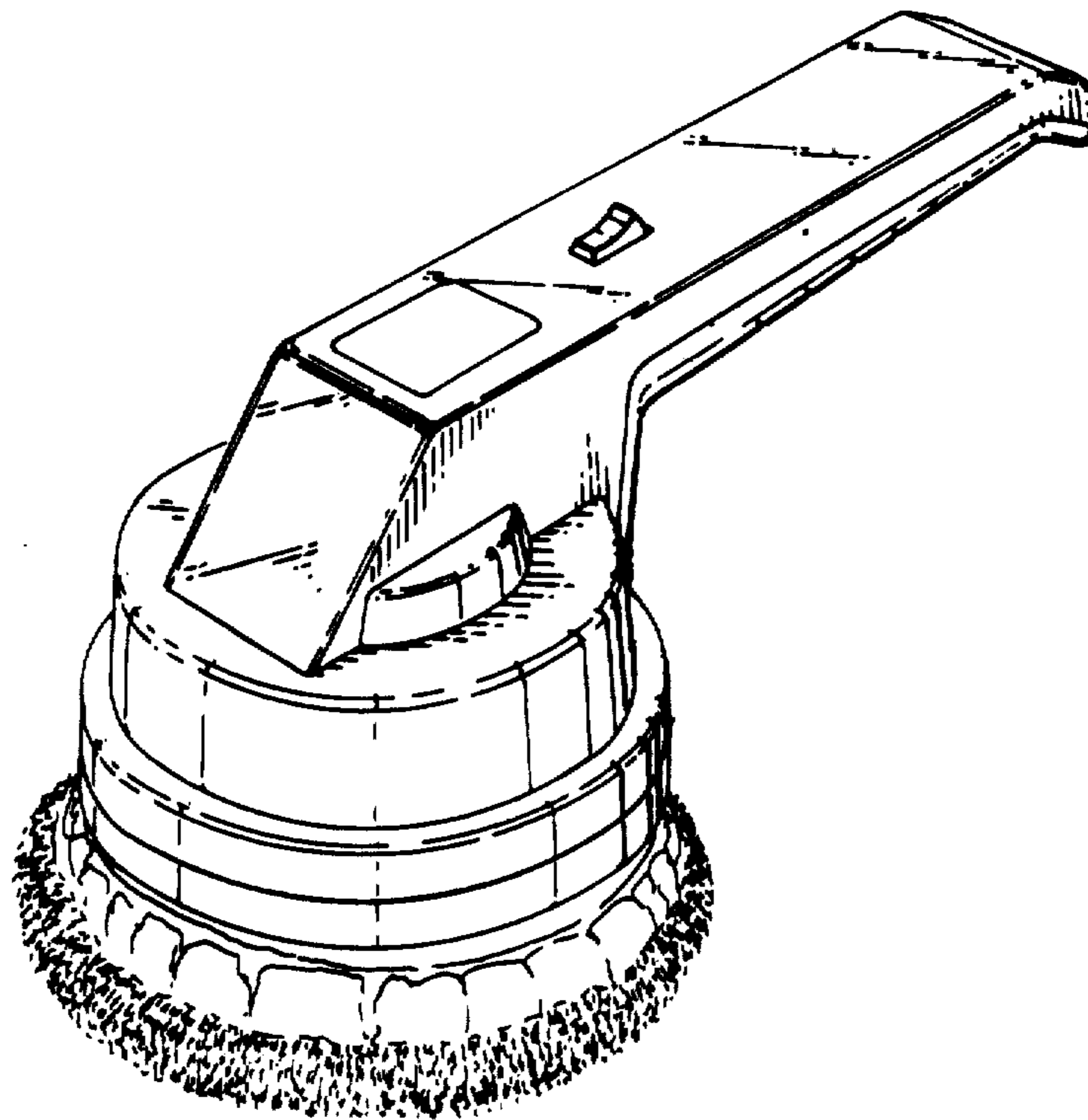


FIG. 1.

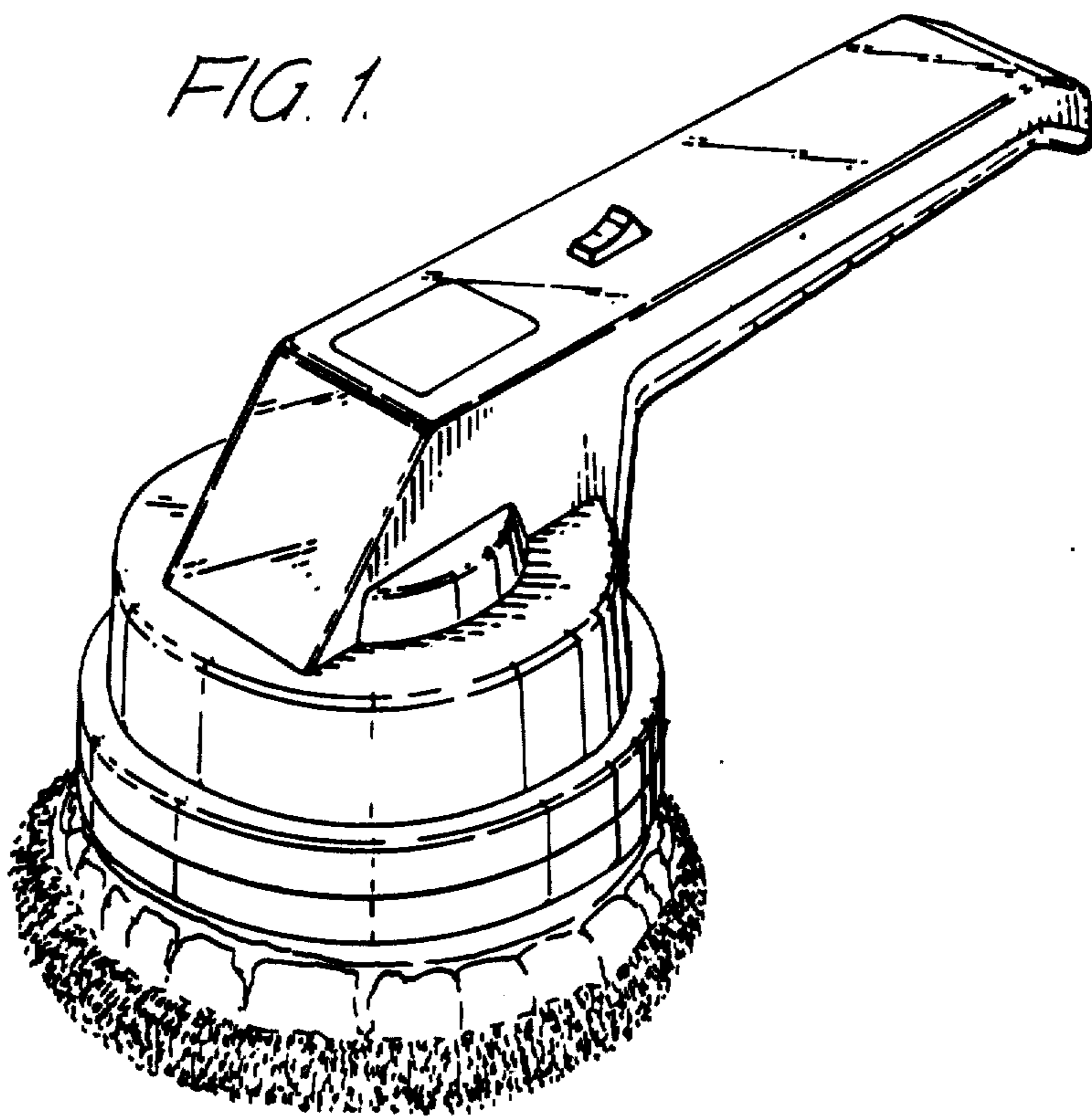


FIG. 2

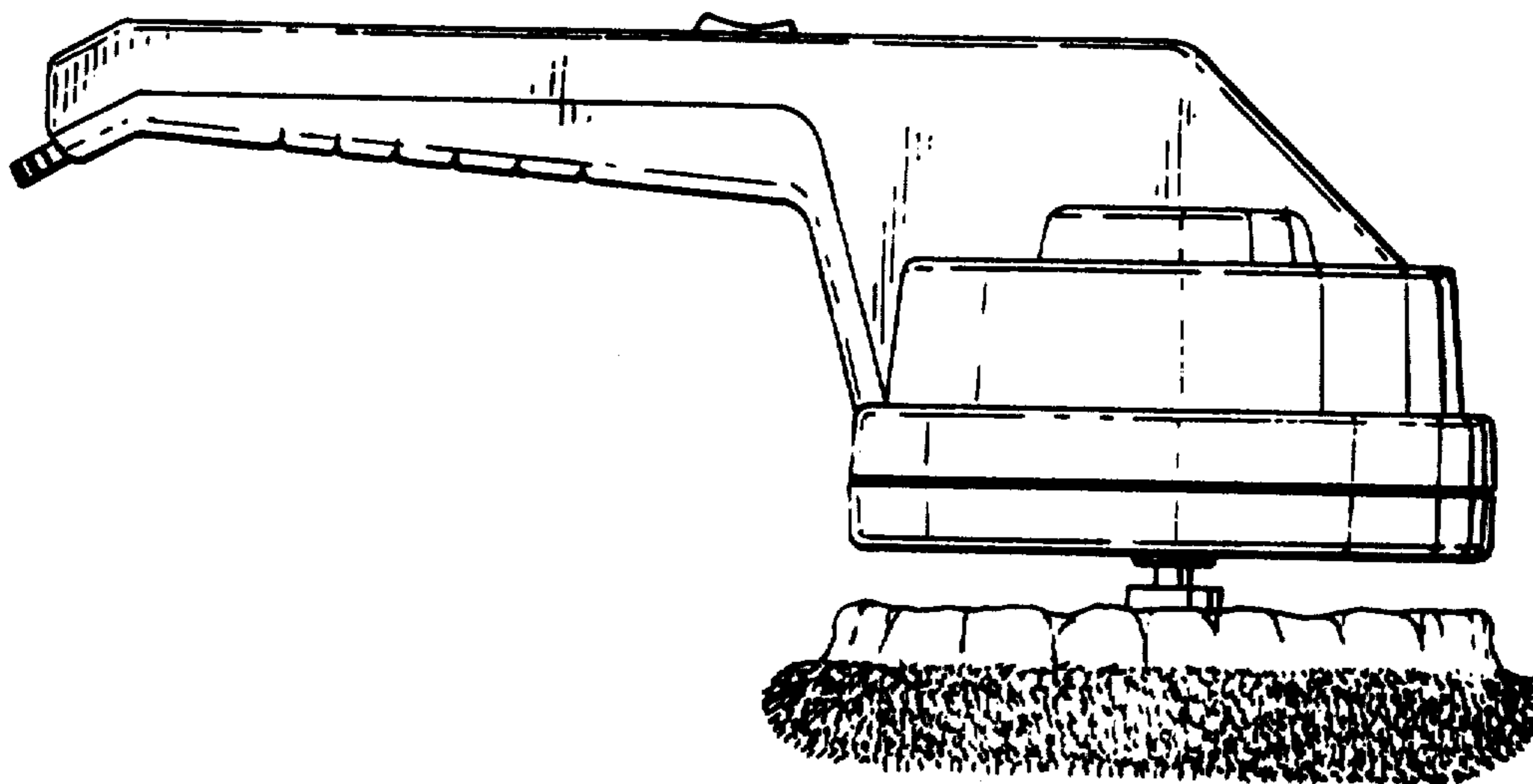


FIG. 3.

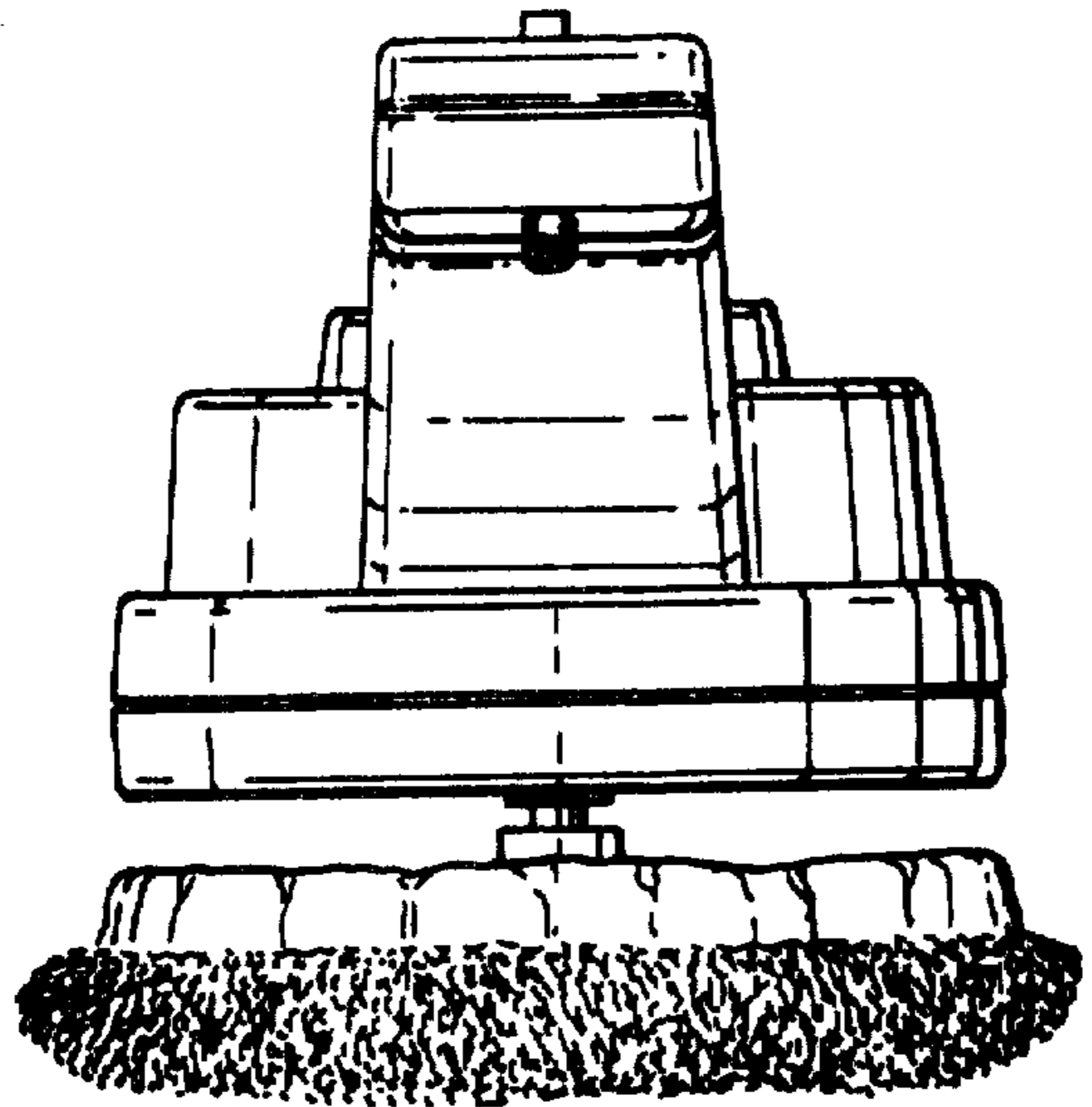


FIG. 4.

