

[54] CUTTING HEAD OF A WEED CUTTER OF THE TYPE USING A ROTATING CUTTING STRING

[75] Inventors: Jon A. Rahe, Mission Viejo; John Motruk, Whittier, both of Calif.

[73] Assignee: Hawaiian Motor Company, Long Beach, Calif.

[**] Term: 14 Years

[21] Appl. No.: 329,895

[22] Filed: Dec. 11, 1981

[52] U.S. Cl. D8/8

[58] Field of Search 56/240, 291, 294, 295; 30/216, 264, 276; D15/12; D8/8

[56] References Cited

U.S. PATENT DOCUMENTS

| | | | | |
|------------|---------|----------------|-------|--------|
| D. 250,450 | 12/1978 | Tiedemann | | D8/8 |
| D. 253,086 | 10/1979 | Hinklin et al. | | D8/8 |
| D. 254,173 | 2/1980 | Proulx | | D8/8 |
| 4,194,287 | 3/1980 | Palmier et al. | | 30/276 |
| 4,203,212 | 5/1980 | Proulx | | 30/276 |
| 4,253,238 | 3/1981 | Sheldon | | 30/276 |

Primary Examiner—A. Hugo Word

Attorney, Agent, or Firm—Nilsson, Robbins, Dalgarn, Berliner, Carson & Wurst

[57] CLAIM

The ornamental design for the cutting head of a weed cutter of the type using a rotating cutting string, substantially as shown and described.

DESCRIPTION

FIG. 1 is one, side elevational view of a first embodiment of a cutting head showing our design, in which the

broken lines are a side elevational view of part of the remainder of the cutter;

FIG. 2 is the same elevational view of FIG. 1, of the cutting head of FIG. 1, enlarged;

FIG. 3 is a second side elevational view of the cutting head of FIG. 1, rotated 90 degrees clockwise from the view of FIG. 2;

FIG. 4 is a third side elevational view of the cutting head of FIG. 1, rotated 90 degrees clockwise from the view of FIG. 3;

FIG. 5 is a fourth side elevational view of the cutting head of FIG. 1, rotated 90 degrees clockwise from the view of FIG. 4;

FIG. 6 is a top plan view of the cutting head of FIG. 1; FIG. 7 is a bottom plan view of the cutting head of FIG. 1;

FIG. 8 is one, side elevational view of a second embodiment of a cutting head showing our design, in which the broken lines are a side elevational view of part of the remainder of the cutter;

FIG. 9 is same side elevational view as FIG. 8, of the cutting head of FIG. 8, enlarged;

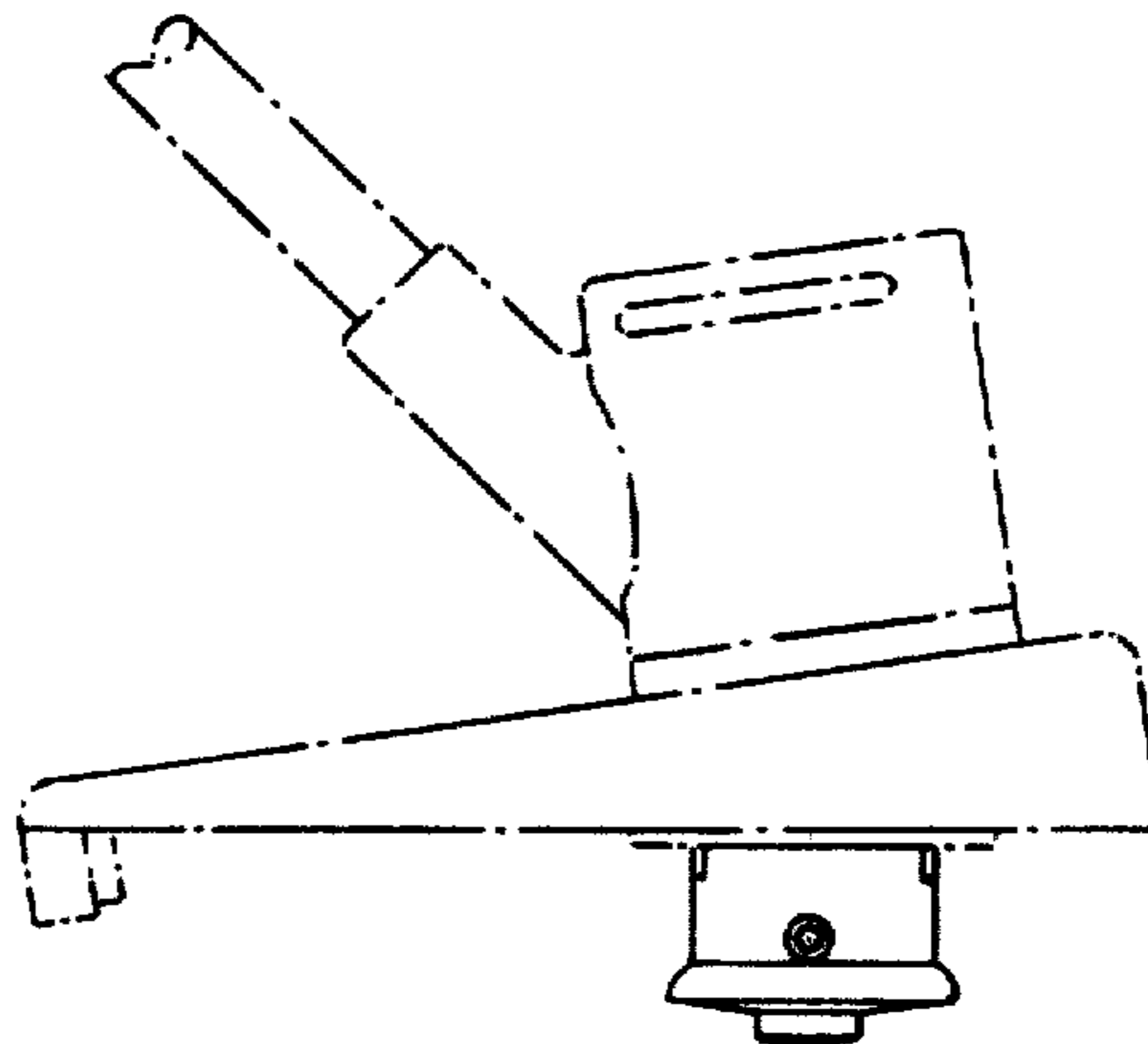
FIG. 10 is a second side elevational view of the cutting head of FIG. 8, rotated 90 degrees clockwise from the view of FIG. 9;

FIG. 11 is a third side elevational view of the cutting head of FIG. 8, rotated 90 degrees clockwise from the view of FIG. 10;

FIG. 12 is a fourth side elevational view of the cutting head of FIG. 8, rotated 90 degrees clockwise from the view of FIG. 11;

FIG. 13 is a top plan view of the cutting head of FIG. 8; and

FIG. 14 is a bottom plan view of the cutting head of FIG. 8.



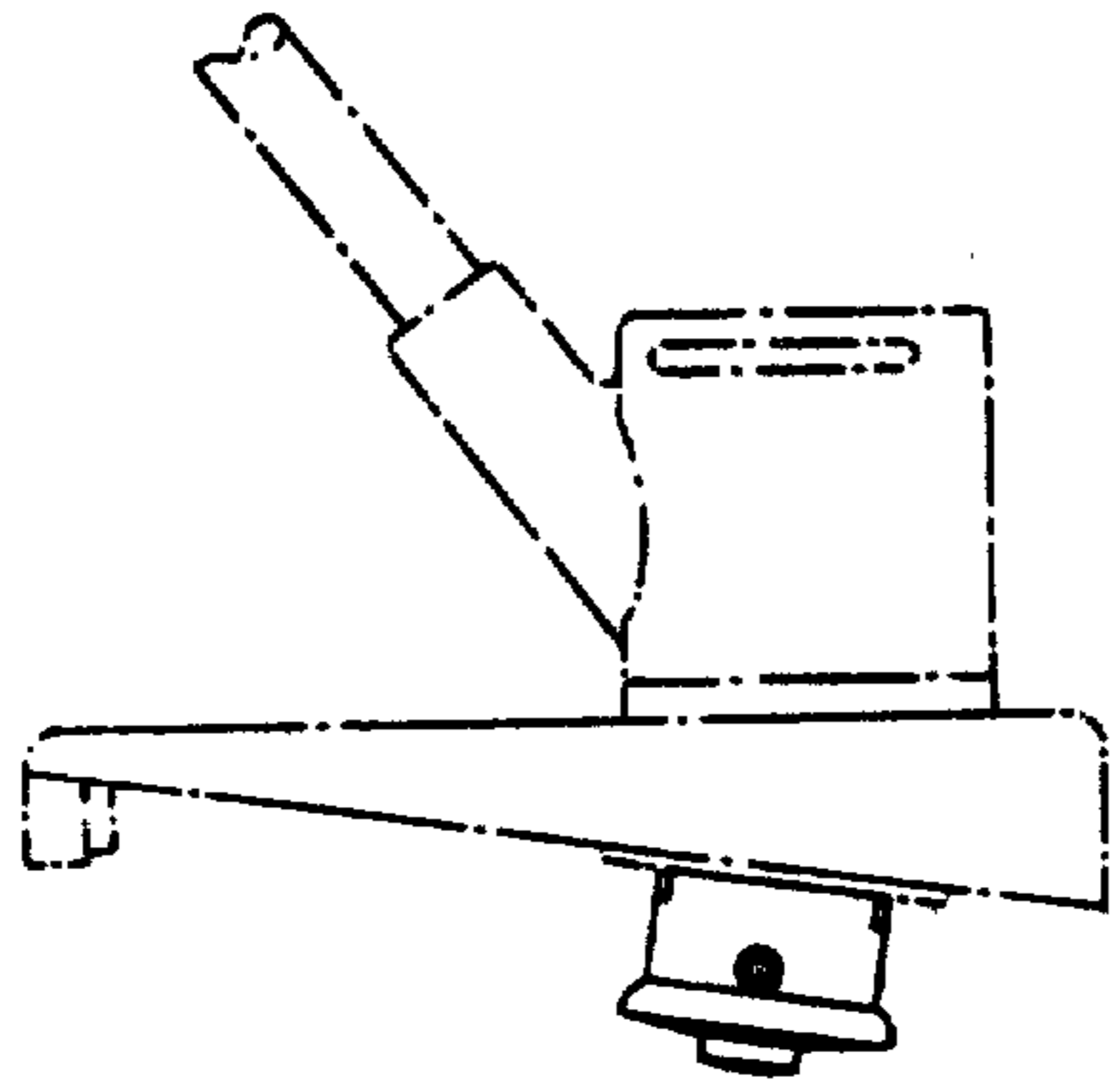


FIG. 1

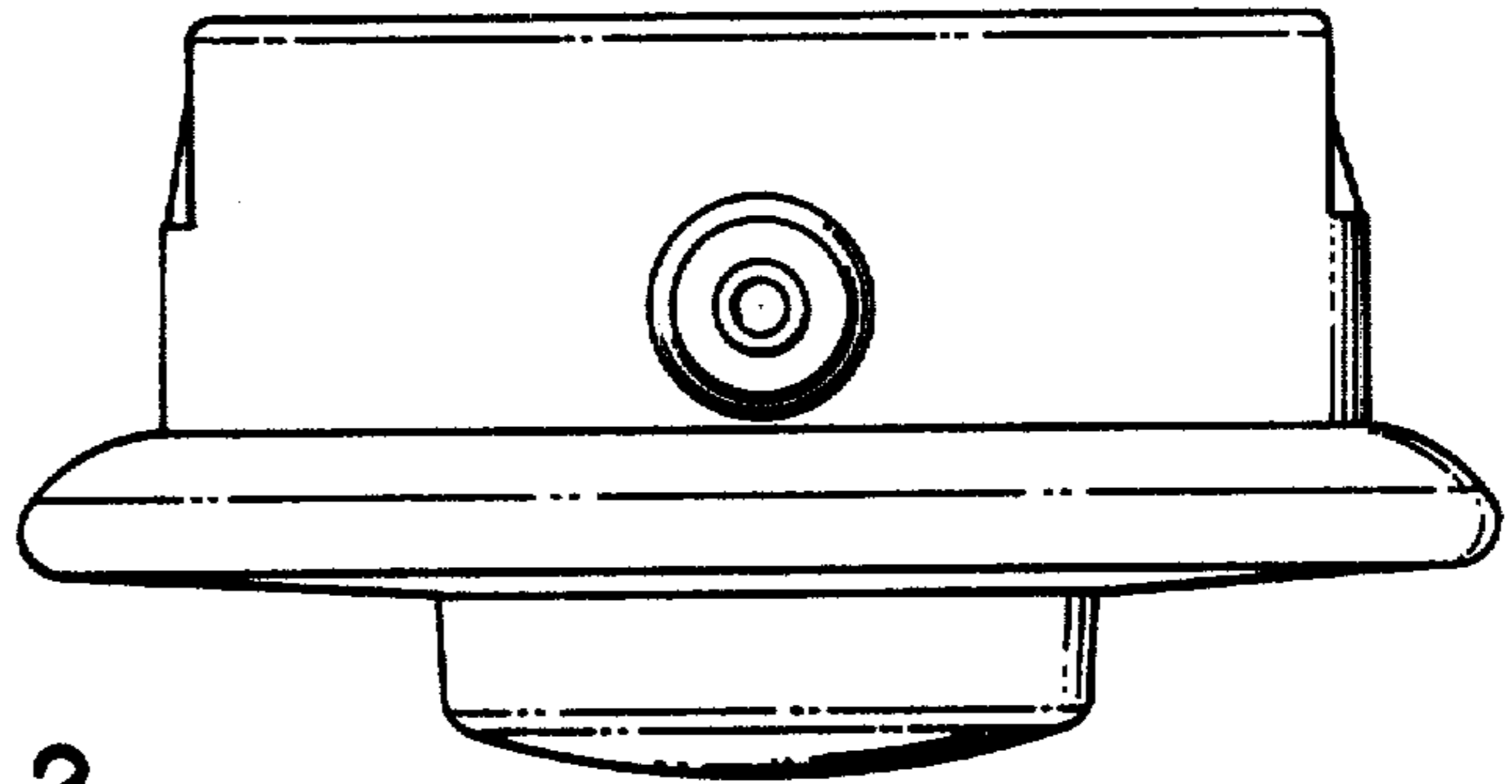


FIG. 2

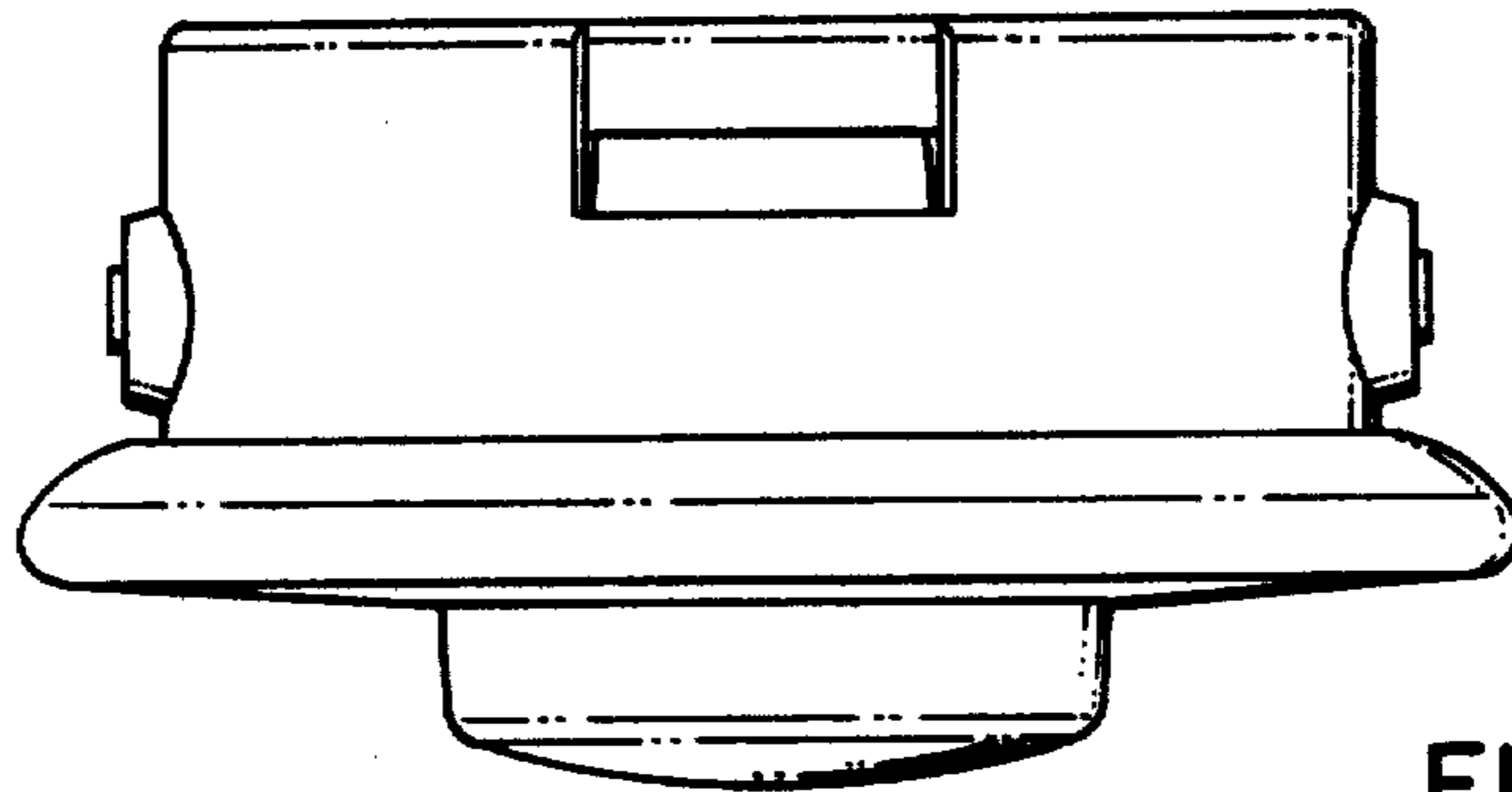
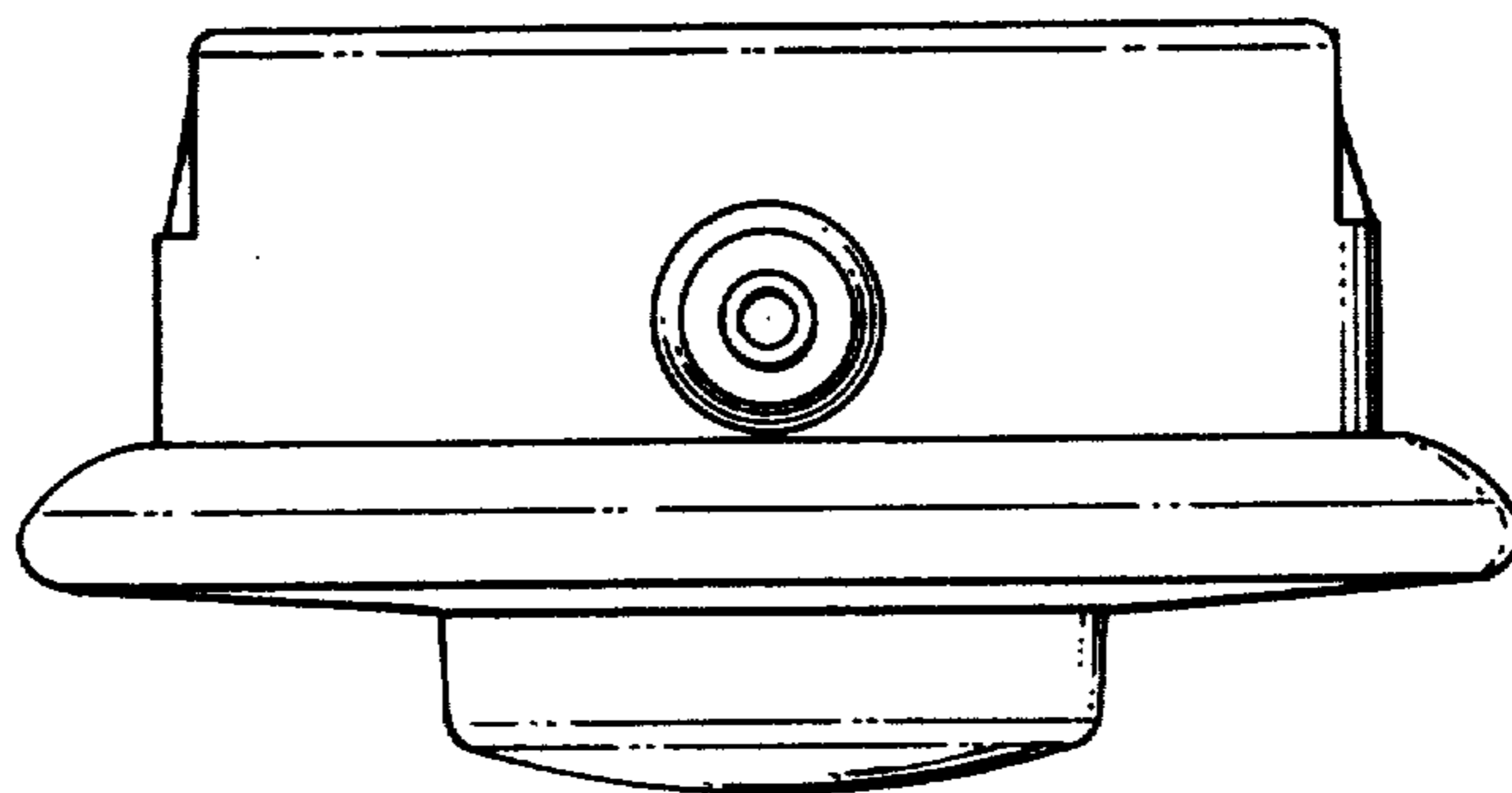


FIG. 3

FIG. 4



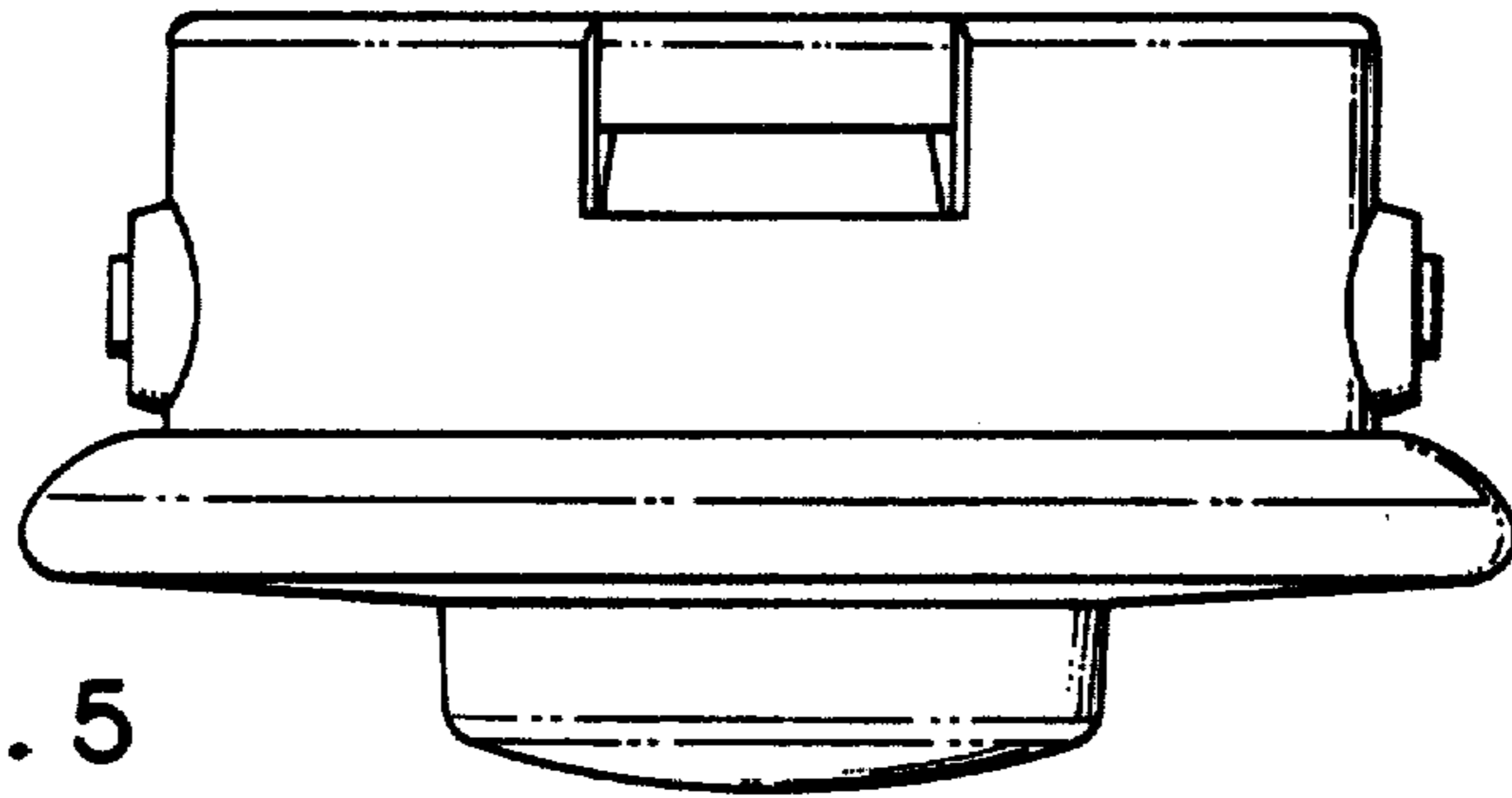


FIG. 5

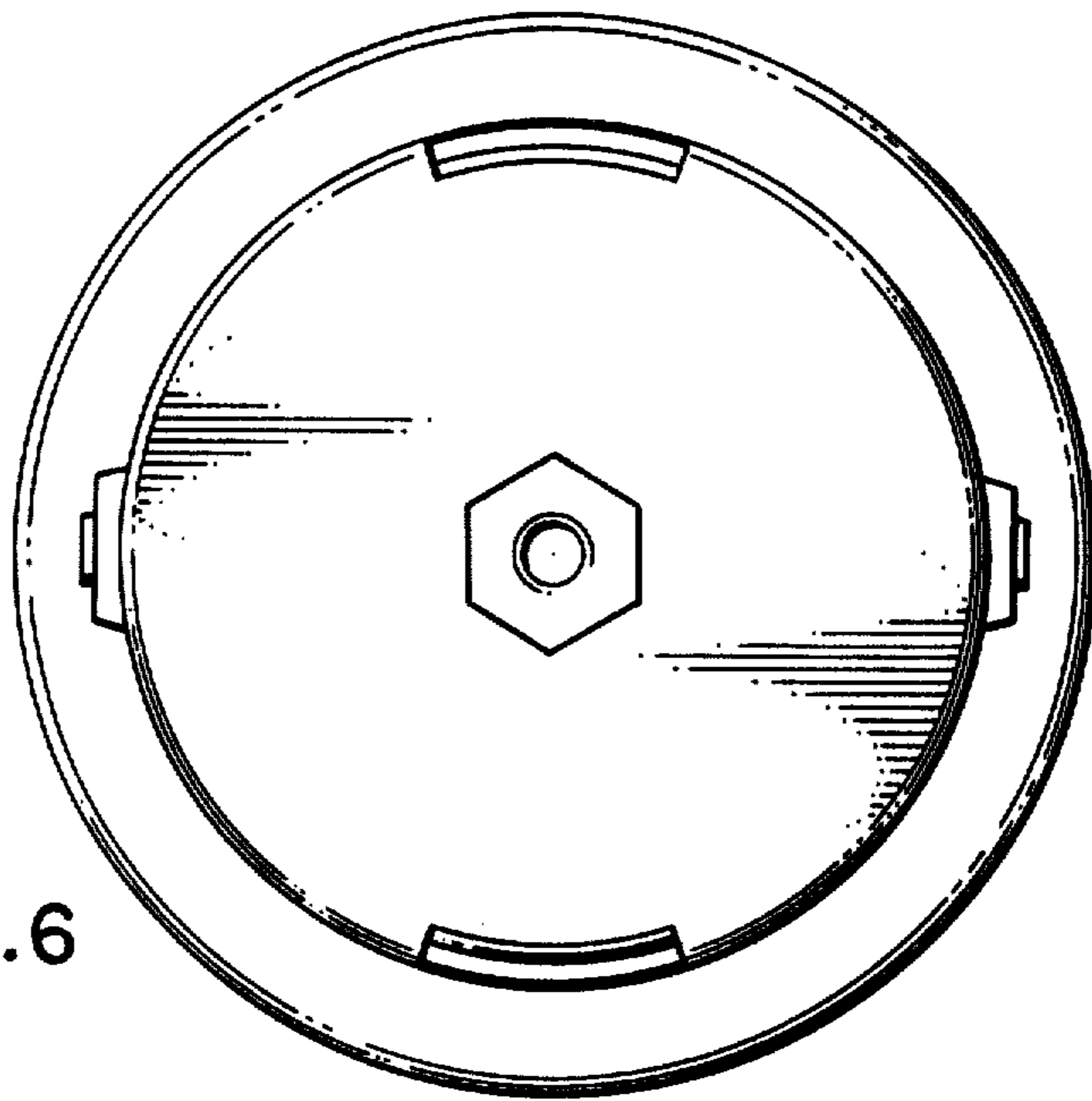


FIG. 6

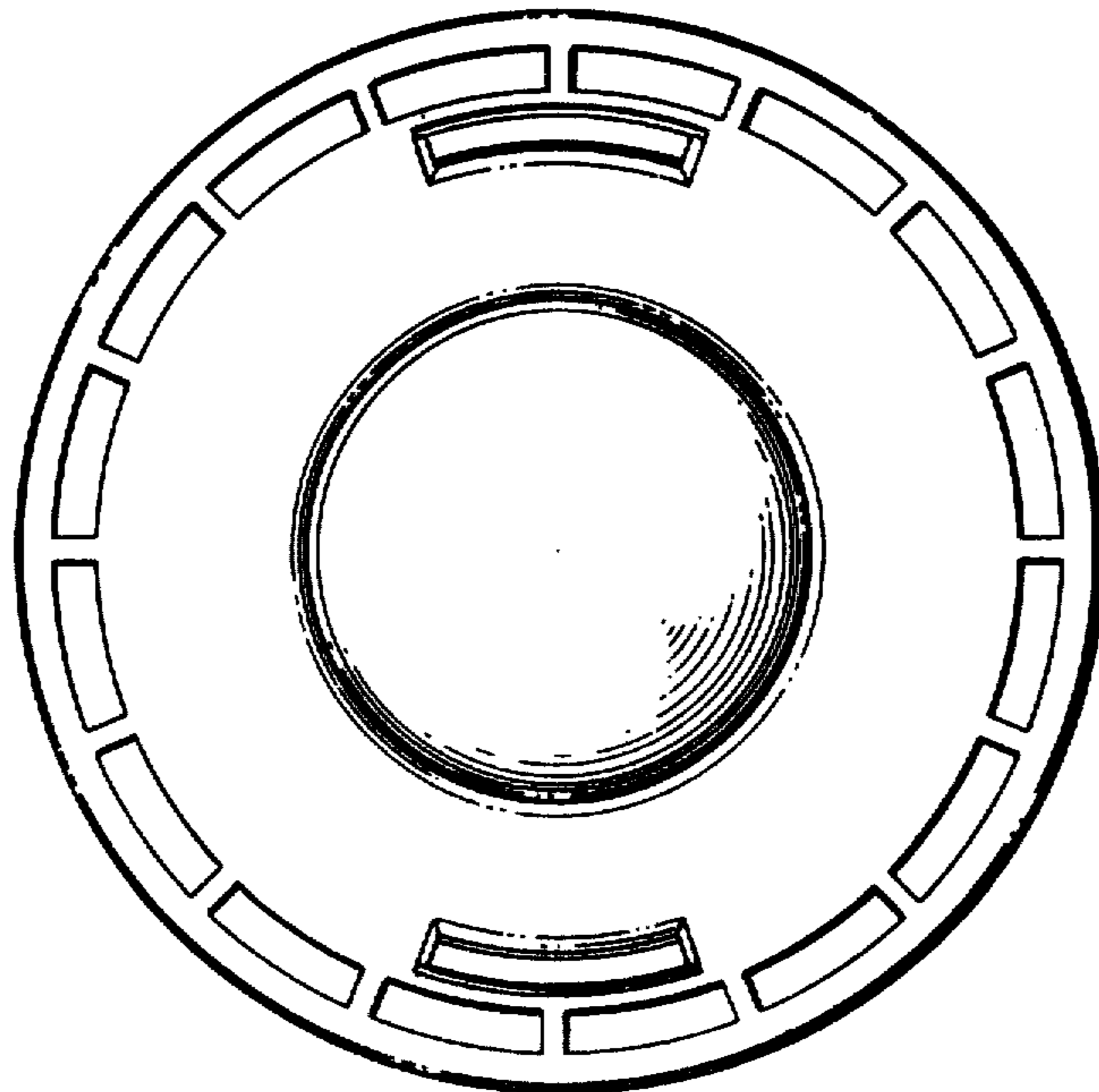


FIG. 7

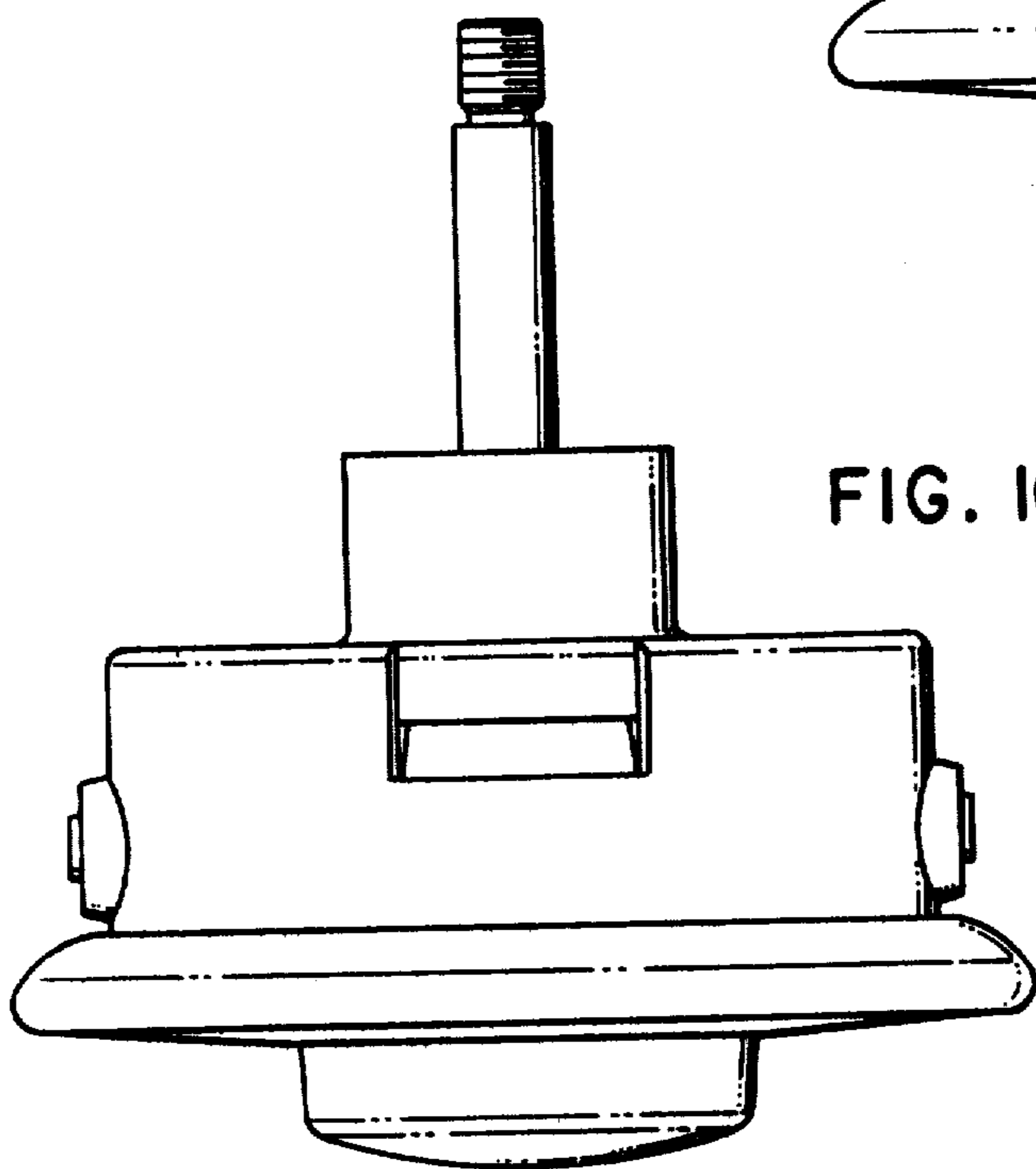
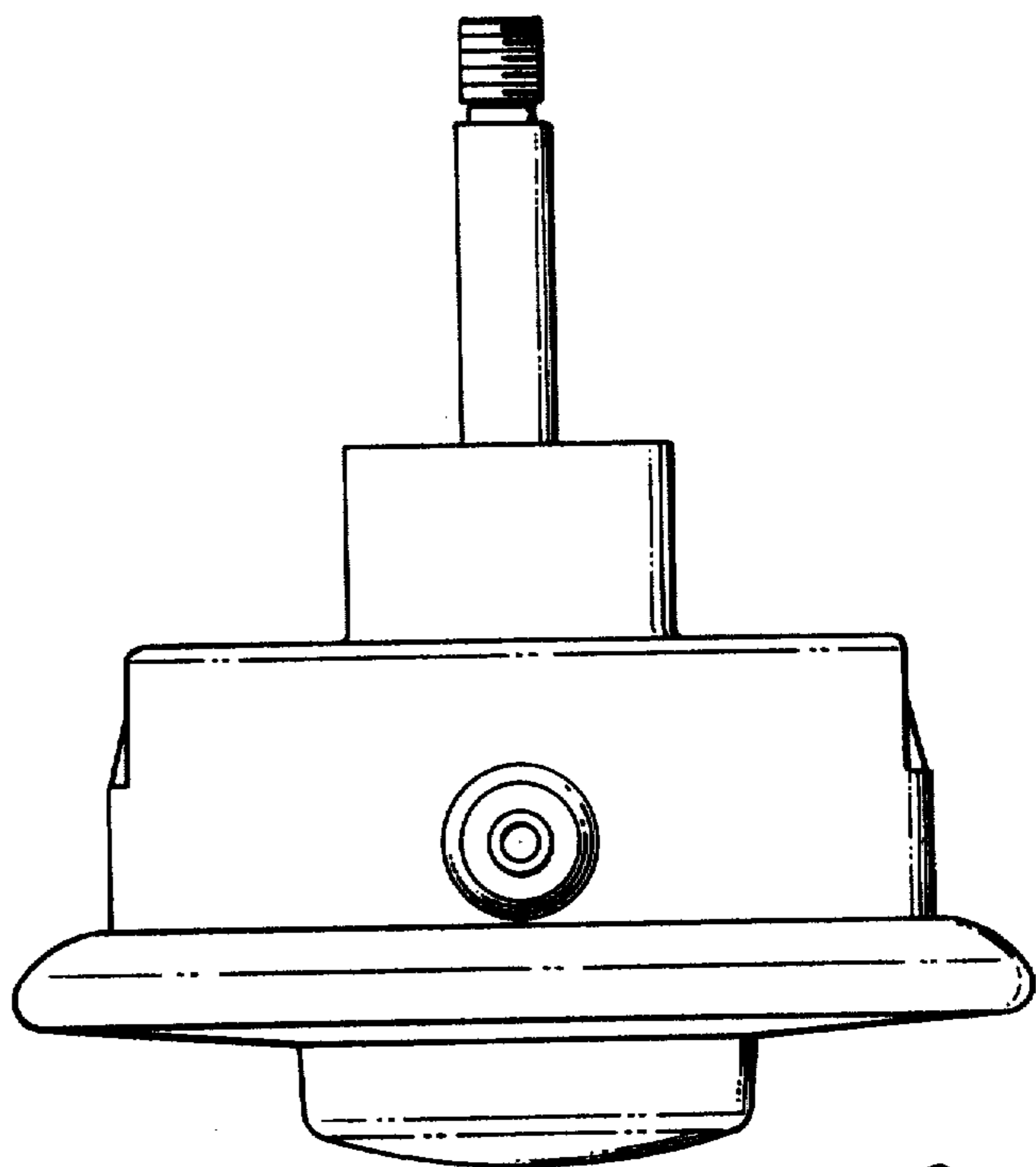
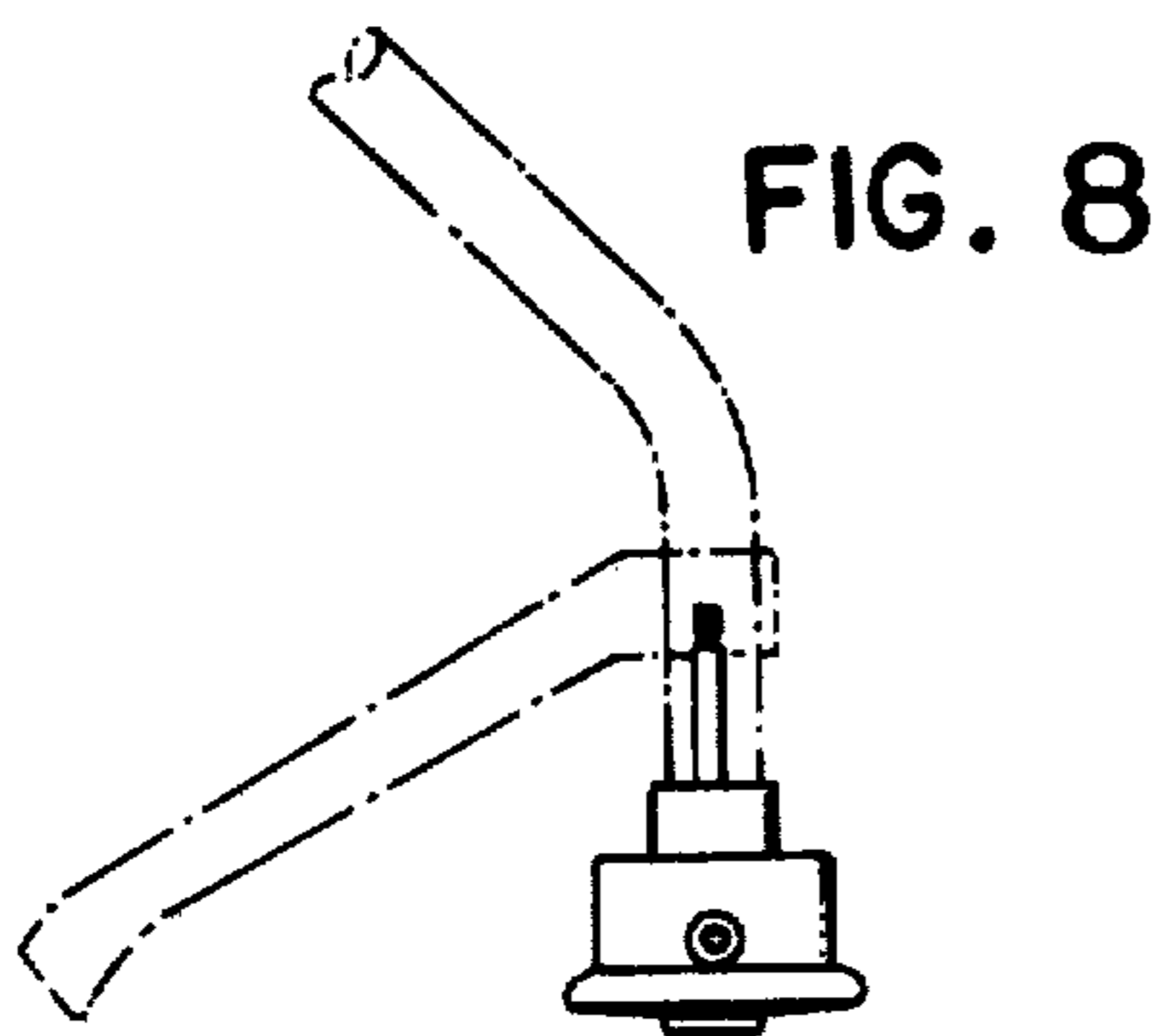


FIG. 11

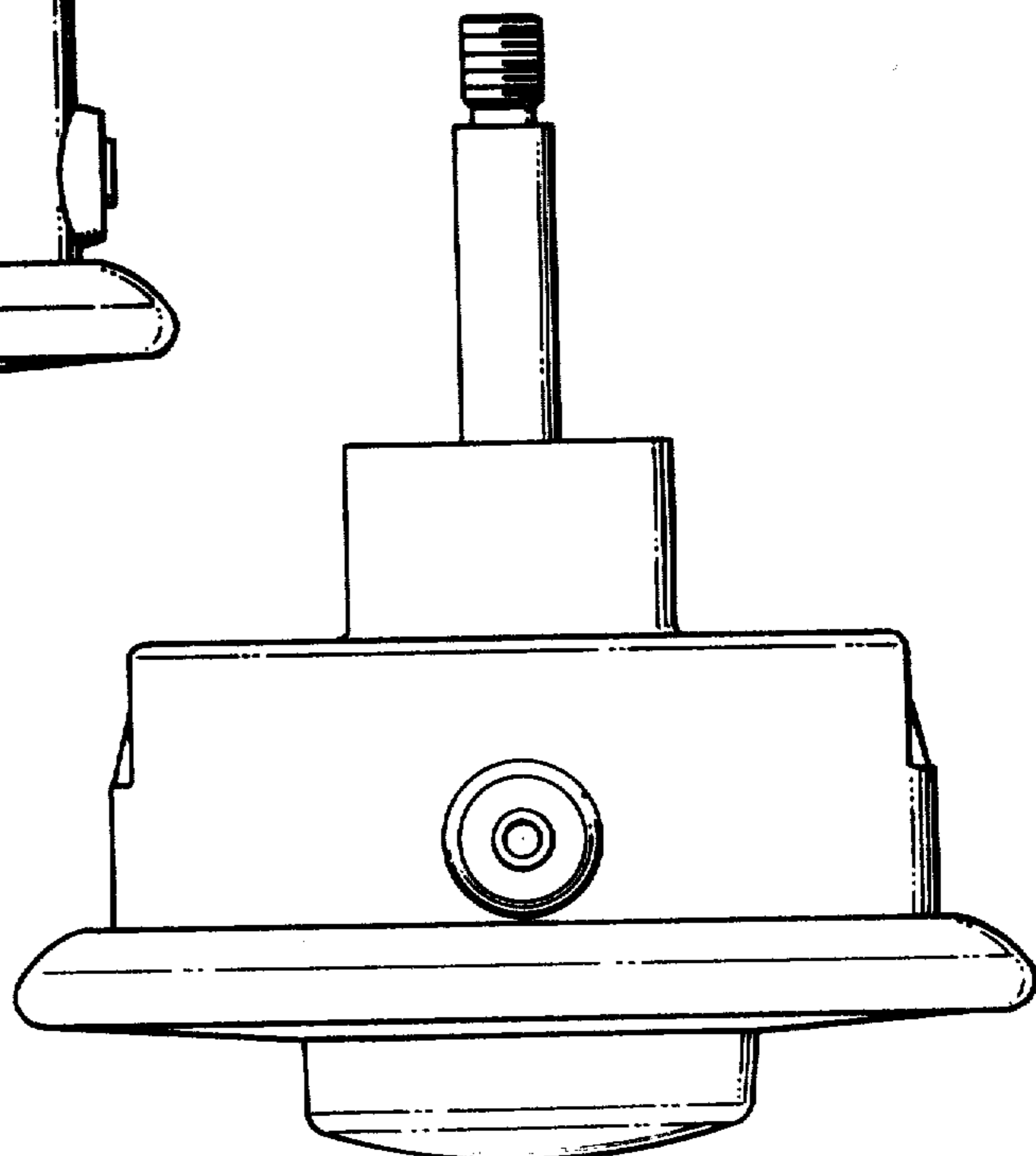


FIG. 12

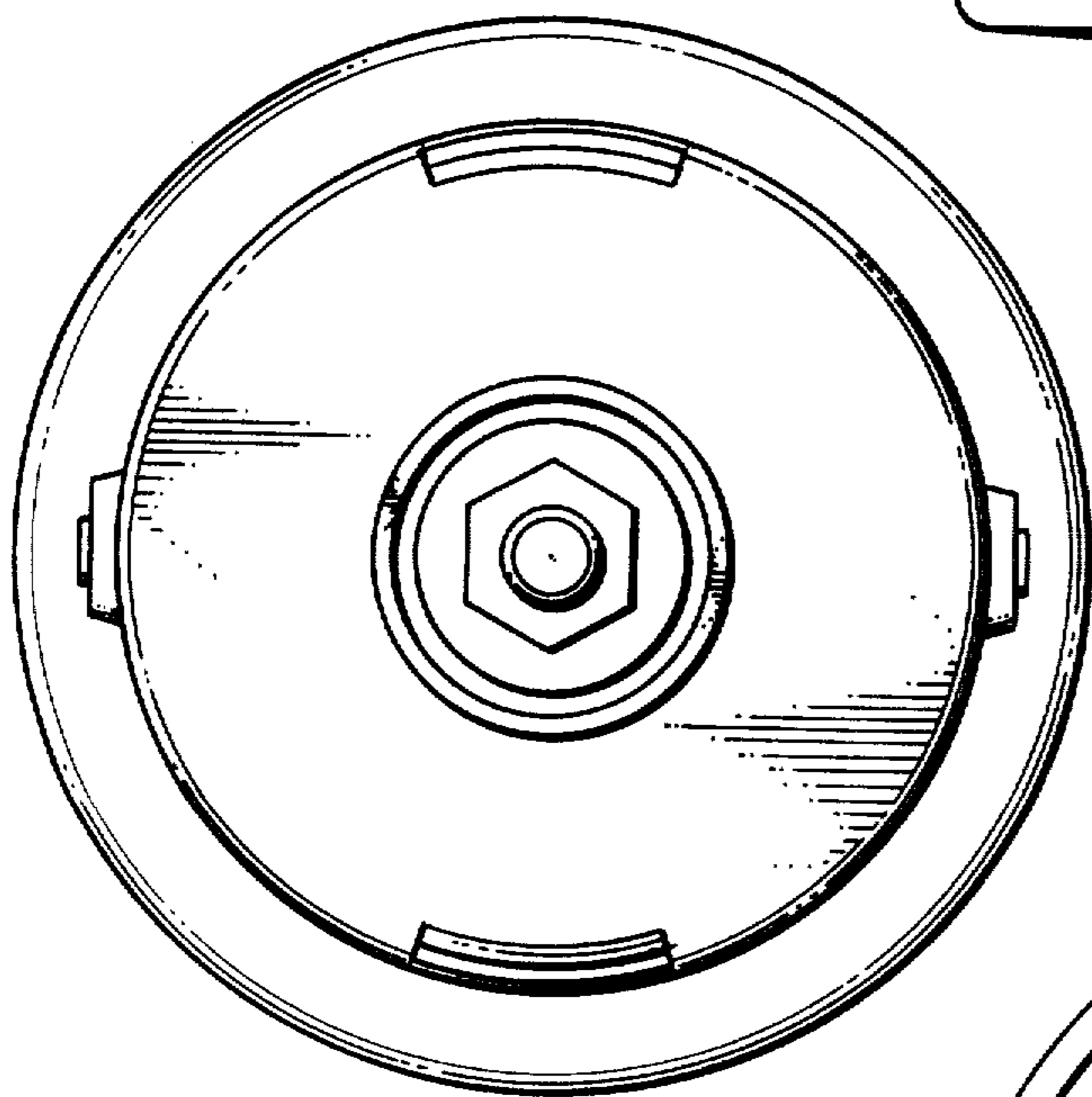
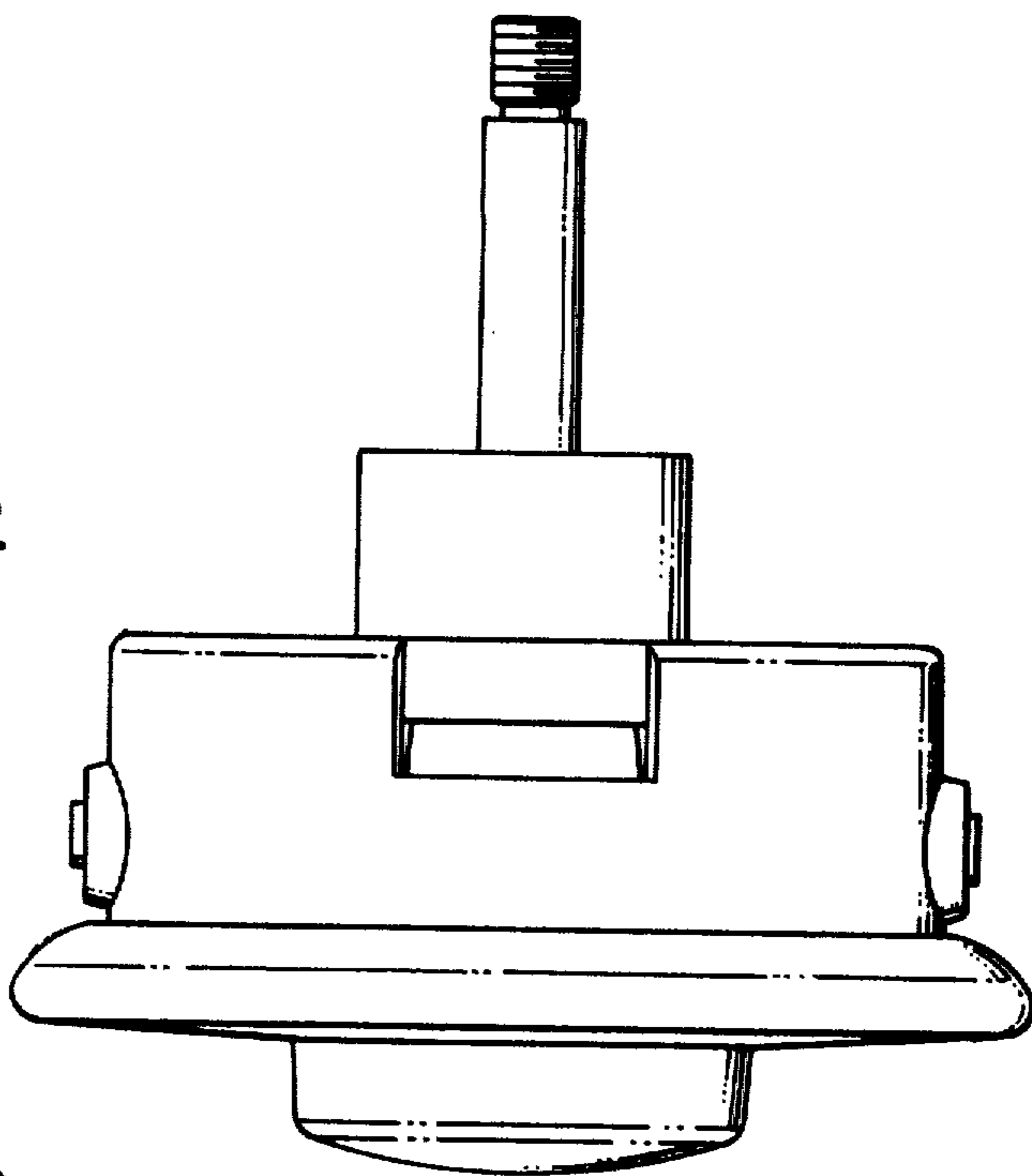


FIG. 13

FIG. 14

