

[54] INFLATABLE FOLDABLE CUSHION

[76] Inventor: Thomas Koves, 645 N. Cherokee Ave., Los Angeles, Calif. 90004

[**] Term: 14 Years

[21] Appl. No.: 318,639

[22] Filed: Nov. 5, 1981

[52] U.S. Cl. D6/201; D3/59; D3/71

[58] Field of Search D3/59, 71; D6/201; 5/442, 431, 434, 441, 448

[56] References Cited

U.S. PATENT DOCUMENTS

D. 153,930	5/1949	Fox	D3/59
2,618,790	11/1952	Ritchey	5/442 X
4,011,898	3/1977	Hubbard	150/35

OTHER PUBLICATIONS

Hong Kong Enterprise, vol. 12, 1980, p. 5, Cowie Ad, lower right corner item, Self-Inflating Cushion.

Hong King Enterprise, vol. 12, 1980, p. 174, bottom 3 items.

Primary Examiner—Jane E. Corrigan
Attorney, Agent, or Firm—Allan M. Shapiro

[57] CLAIM

The ornamental design for an inflatable foldable cushion, substantially as shown and described.

DESCRIPTION

FIG. 1 is a front perspective view of an inflatable foldable cushion showing my new design in open, inflated condition;

FIG. 2 is a rear perspective view thereof; and

FIG. 3 is a front perspective view thereof in closed deflated, folded condition.

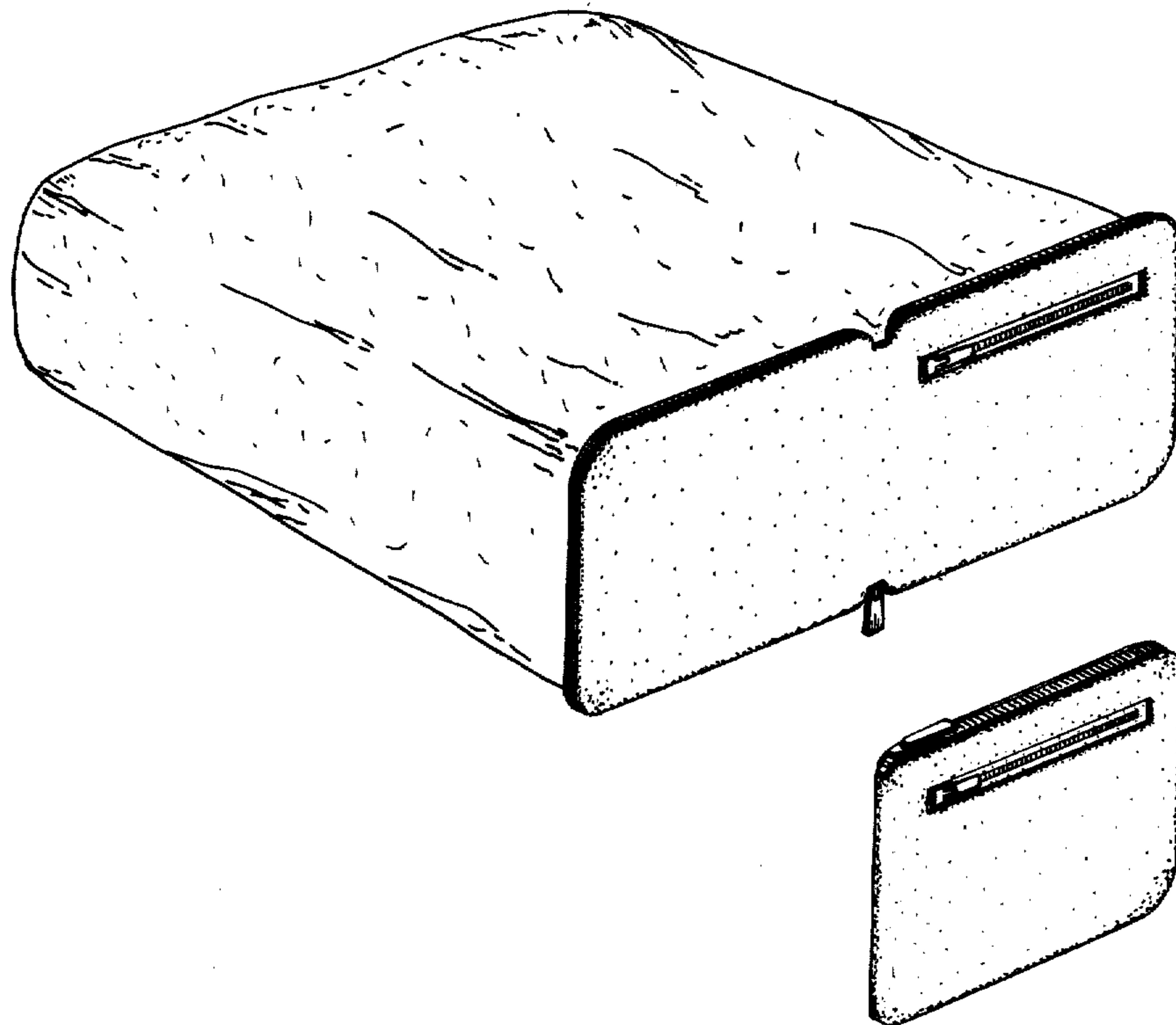


FIG. 1

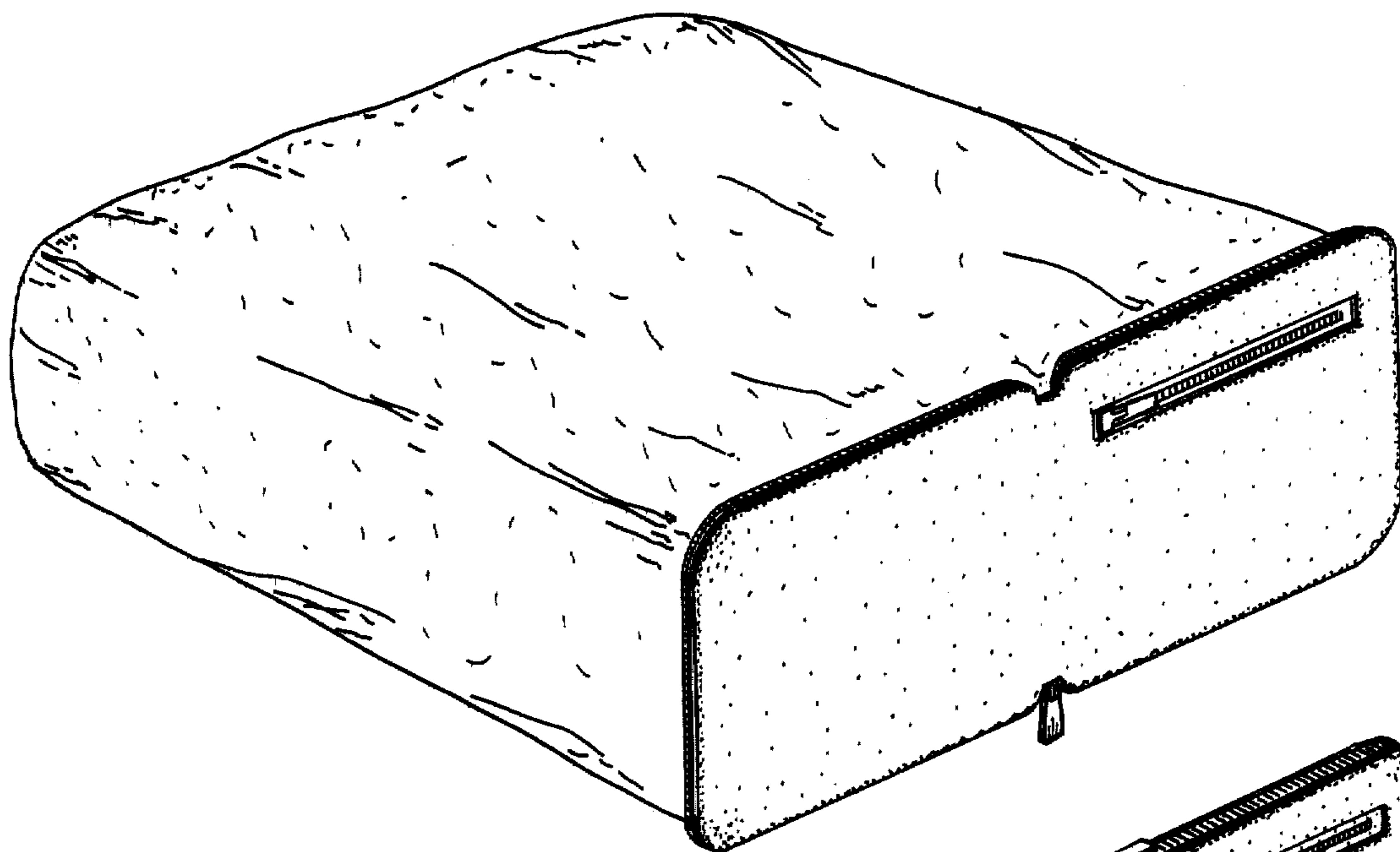


FIG. 3



FIG. 2

