

[54] ELECTRONIC GAME STAND

[76] Inventor: Steven Sternberg, 24 Kristi La., Lake Grove, N.Y. 11755

[**] Term: 14 Years

[21] Appl. No.: 297,136

[22] Filed: Aug. 28, 1981

[52] U.S. Cl. D6/188; D3/40; D3/74; D6/85

[58] Field of Search D6/85, 157, 186, 188, D6/7, 32, 36, 138, 199; D7/357; D9/341, 345, 347, 424; D34/45; D3/40, 74; D24/31

[56] References Cited

U.S. PATENT DOCUMENTS

D. 227,329 6/1973 Grossman D6/177

D. 256,777 9/1980 Sörsjö D9/345
D. 257,438 10/1980 Tsyuki D6/188 X
D. 268,130 3/1983 Easton D9/347 X

Primary Examiner—Joel Stearman
Assistant Examiner—Carmen H. Vales
Attorney, Agent, or Firm—Lawrence S. Lawrence

[57] CLAIM

The ornamental design for an electronic game stand, as shown.

DESCRIPTION

FIG. 1 is a perspective view of an electronic game stand showing my new design;
FIG. 2 is a left side elevational view thereof;
FIG. 3 is a front elevational view thereof;
FIG. 4 is a bottom plan view thereof;
FIG. 5 is a top plan view thereof; and
FIG. 6 is a rear elevational view thereof.

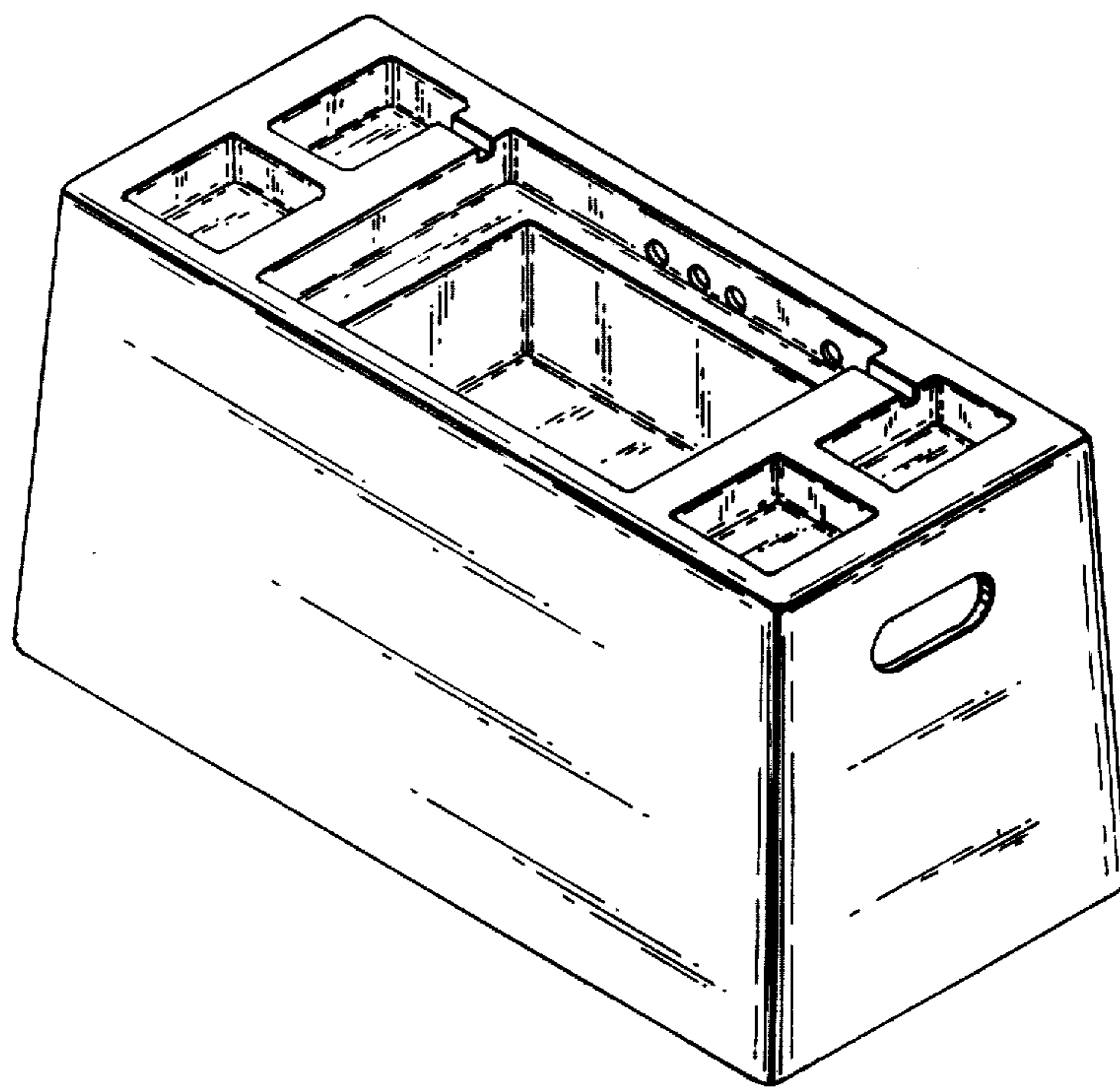


Fig. 1

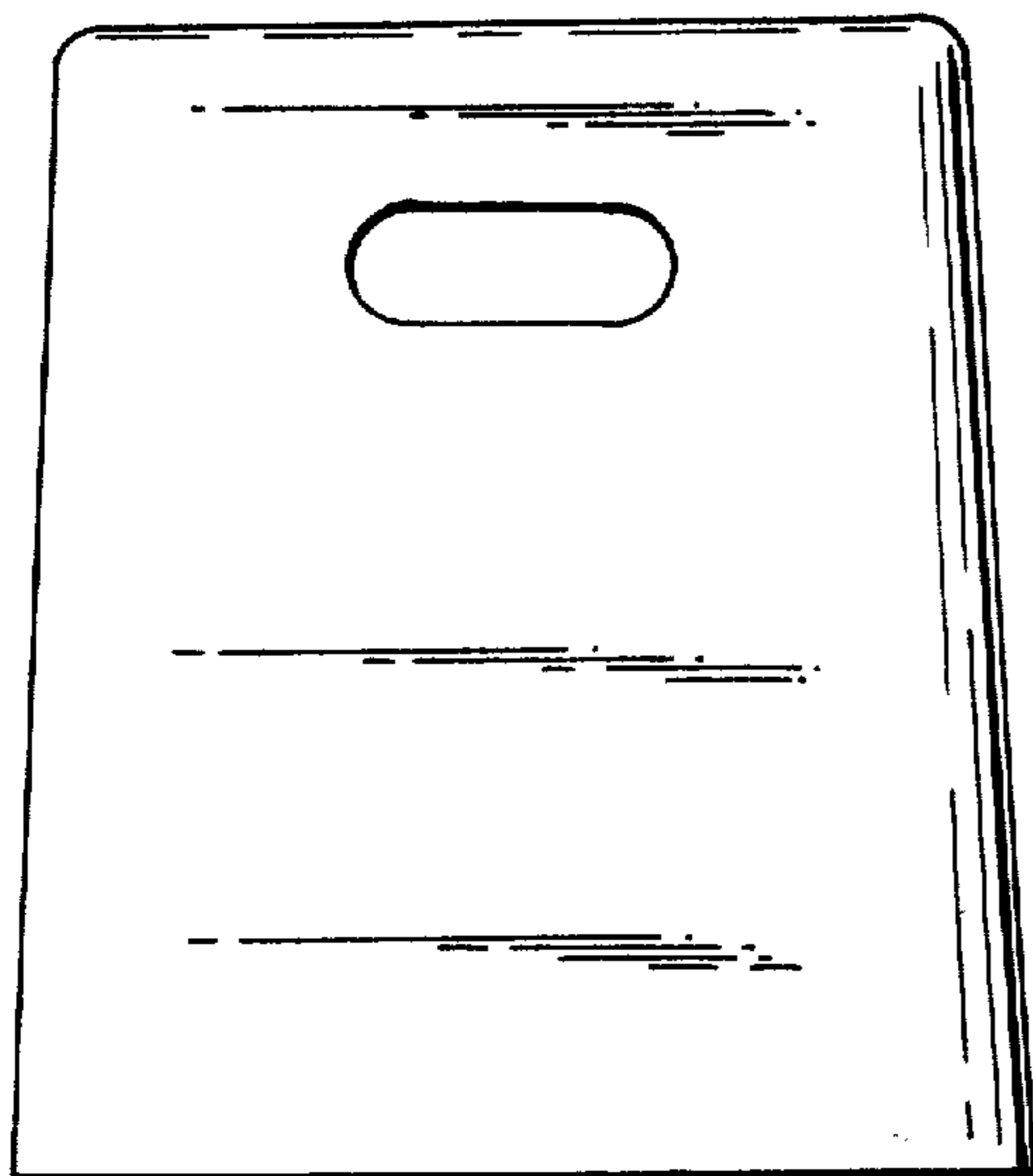
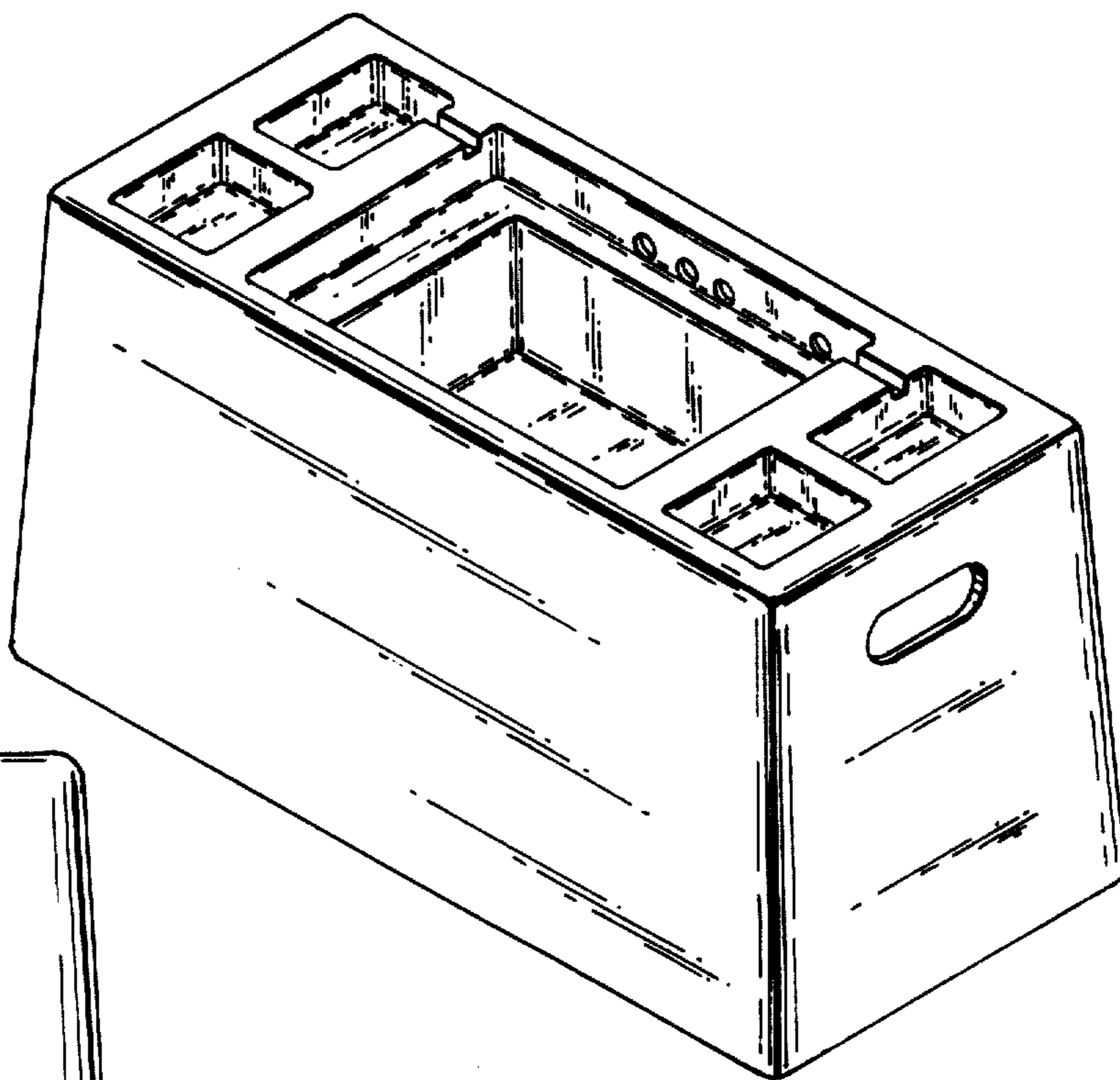


Fig. 2

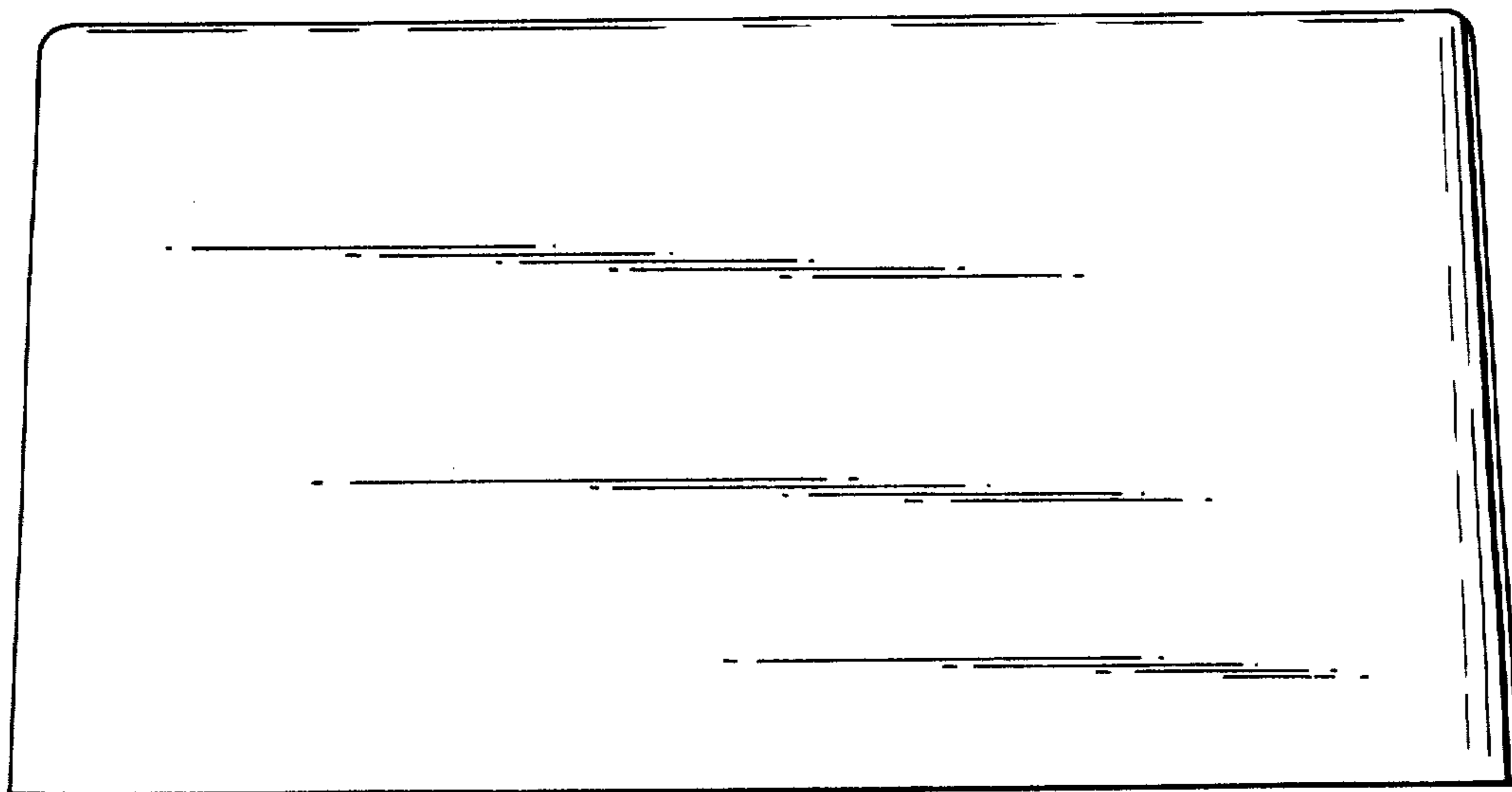


Fig. 3

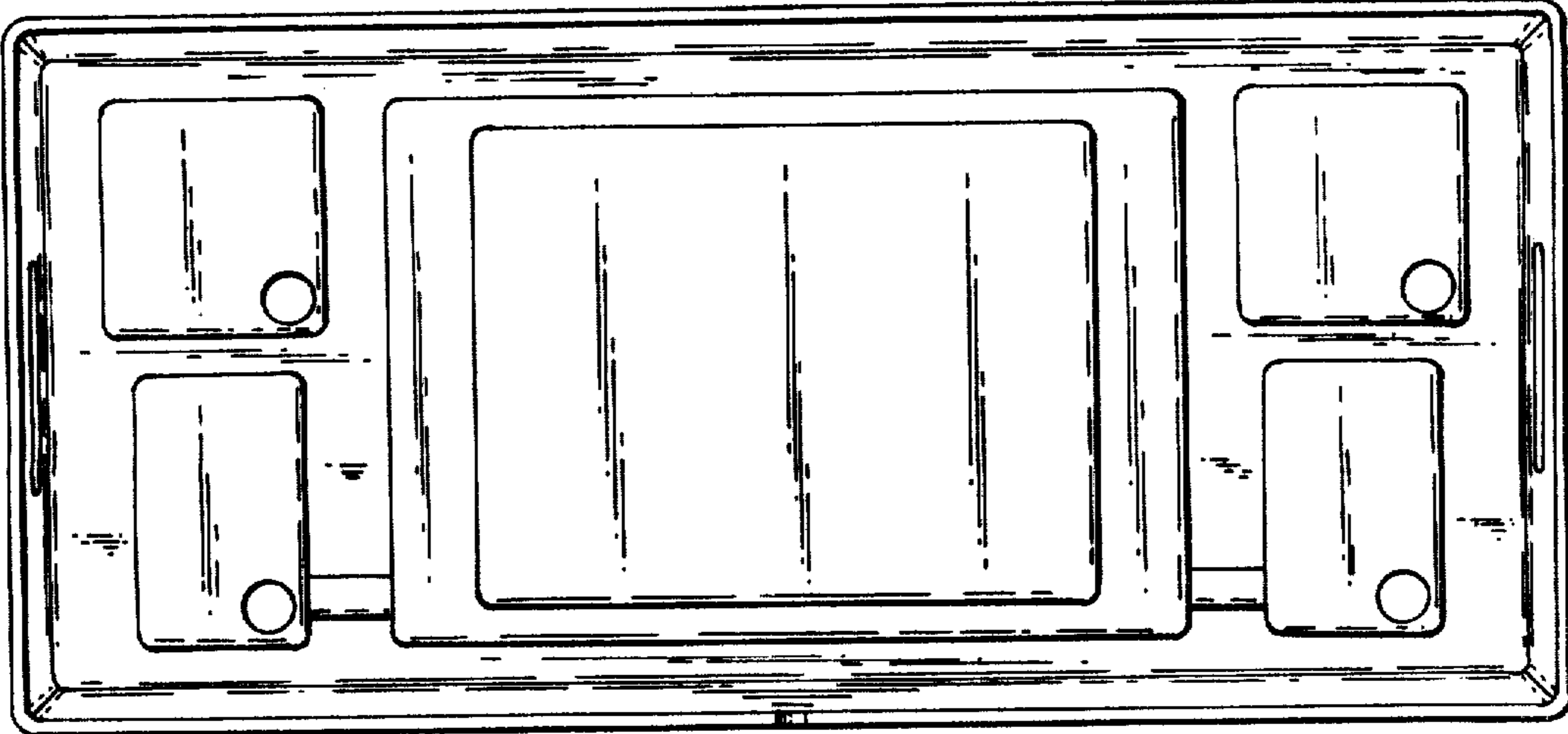


Fig. 4

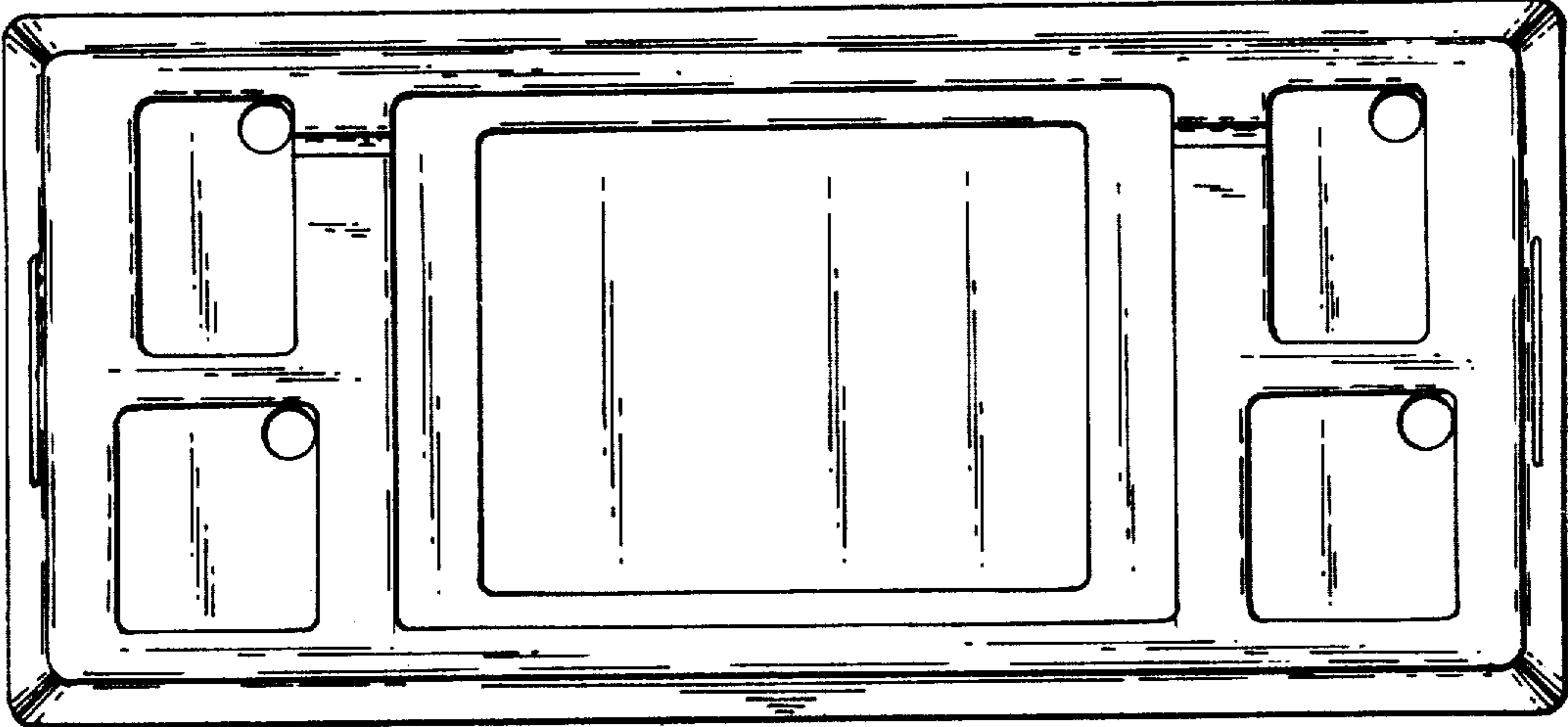


Fig. 5

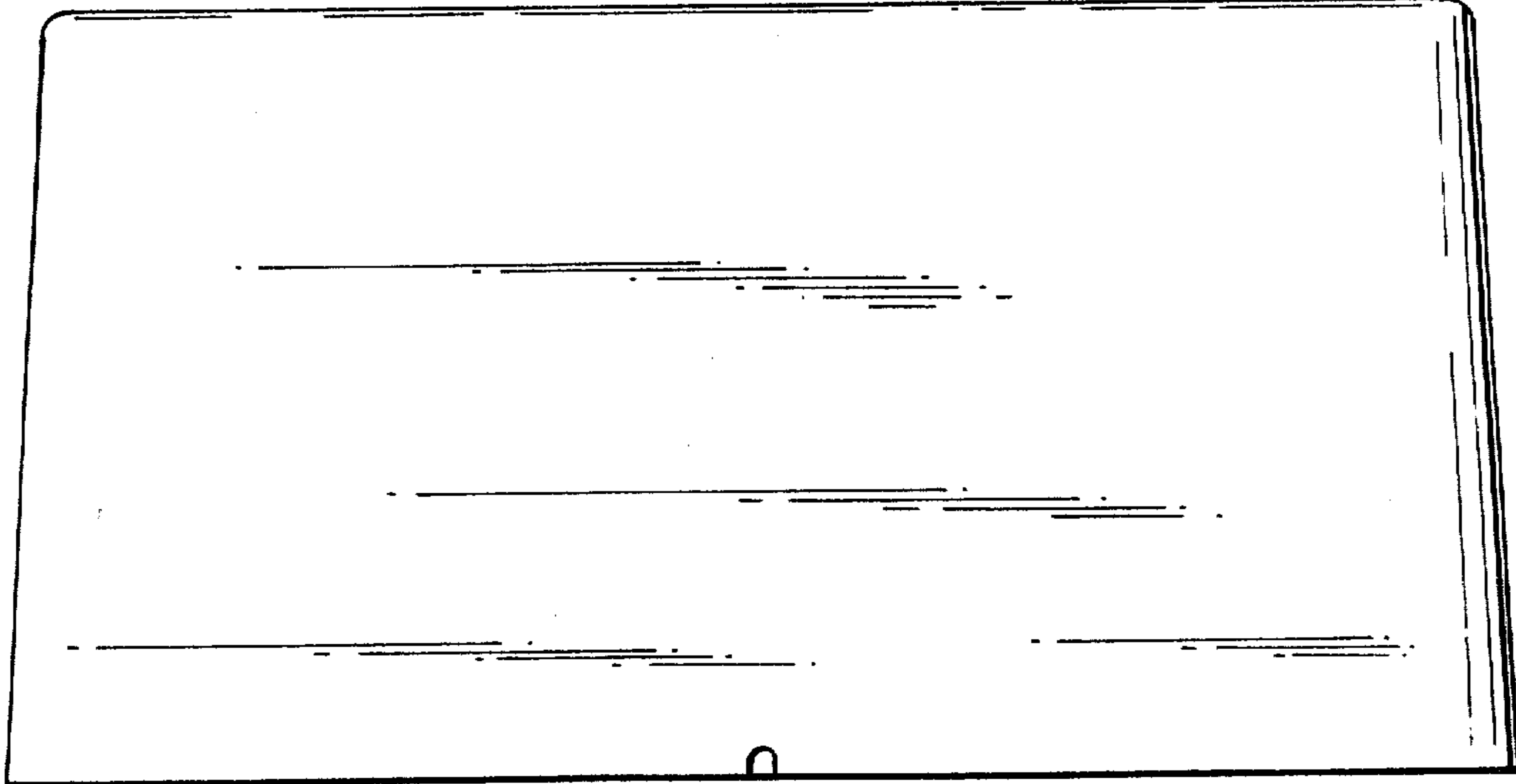


Fig. 6