

[54] RACK OR SIMILAR ARTICLE

[76] Inventor: Lance K. Halverson, 7301 - 27th Ave. NW., Seattle, Wash. 98117

[\*\*] Term: 14 Years

[21] Appl. No.: 119,604

[22] Filed: Feb. 7, 1980

Related U.S. Application Data

[63] Continuation-in-part of Ser. No. 65,905, Aug. 13, 1979, abandoned.

[52] U.S. Cl. .... D6/125; D6/114

[58] Field of Search ..... D6/114, 125, 157; 211/13, 14, 60 R, 60 A, 60 T, 87, 88; 248/220.3, 220.4, 221.1, 221.2

[56] References Cited

U.S. PATENT DOCUMENTS

D. 120,343	5/1940	Hopkins	.....	D6/125
D. 198,691	7/1964	Schaefer	.....	D6/125
D. 209,682	12/1967	Williams	.....	D6/125
D. 242,097	11/1976	O'Neal	.....	D6/125
D. 252,429	7/1979	Morin	.....	D6/125
2,371,433	3/1945	Davis	.....	211/60 T
2,974,804	3/1961	Maro	.....	211/60 T
3,491,893	1/1970	Morris	.....	211/60 R
3,650,407	3/1972	Benham	.....	211/87
3,698,563	10/1972	Gordon et al.	.....	211/13
3,871,526	3/1975	Marsack	.....	211/89

OTHER PUBLICATIONS

Rolf Sporting Goods, Inc., prior to 2/7/79, LD 10 Bat Rack.

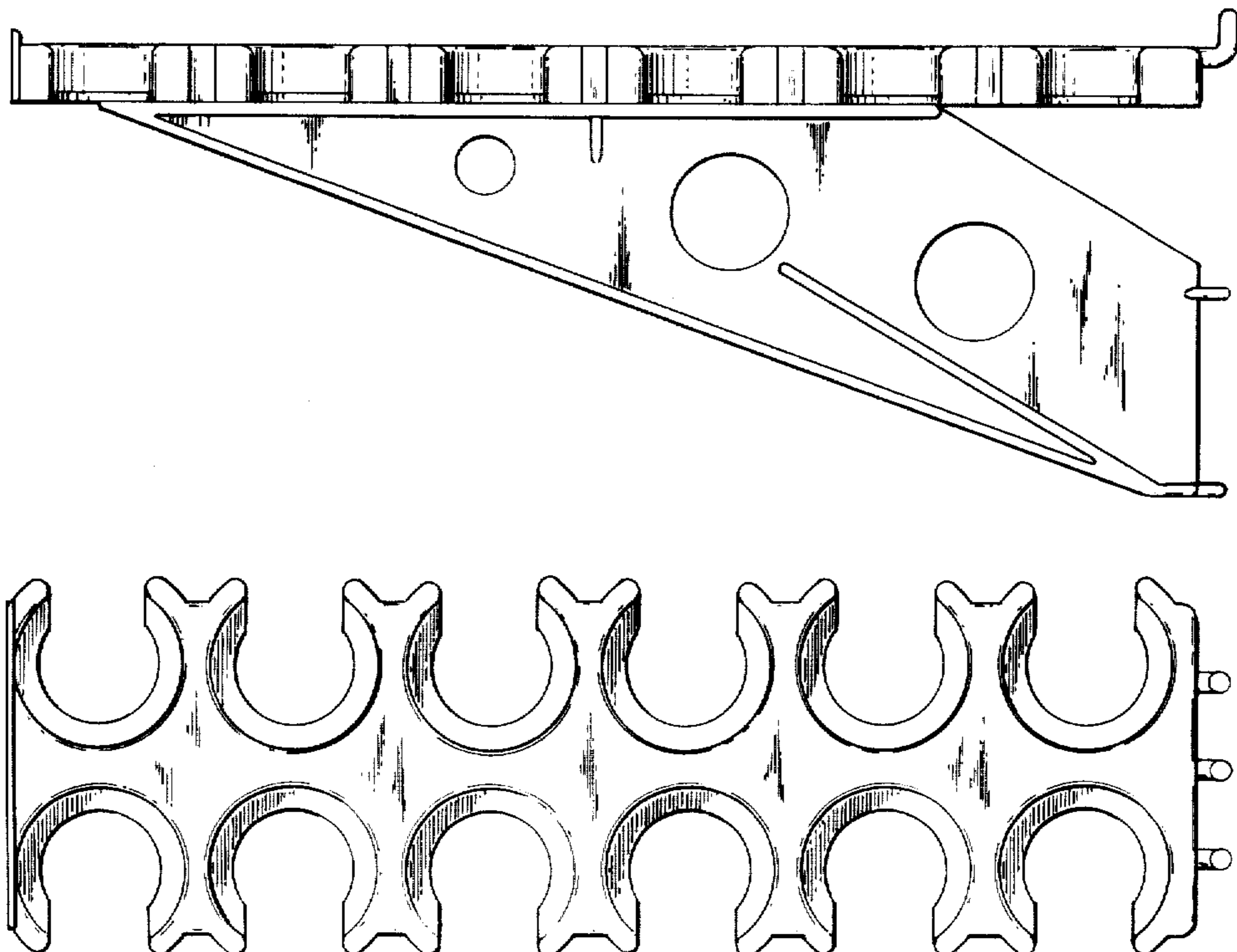
Primary Examiner—B. J. Bullock  
Attorney, Agent, or Firm—Gregory W. Moravan

[57] CLAIM

The ornamental design for a rack or similar article, as shown and described.

DESCRIPTION

FIG. 1 is a side elevational view of a first form of the rack or similar article showing my new design, the side opposite being a mirror image thereof;  
 FIG. 2 is a top plan view of said first form and of the second form of my new design shown in FIGS. 6-9;  
 FIG. 3 is a bottom plan view of said first form;  
 FIG. 4 is an elevational view of the left side of FIG. 1;  
 FIG. 5 is an elevational view of the right side of FIG. 1;  
 FIG. 6 is a side elevational view of a second form of the design of FIG. 1, the side opposite being a mirror image thereof;  
 FIG. 7 is a bottom plan view of said second form;  
 FIG. 8 is an elevational view of the left side of FIG. 6;  
 FIG. 9 is an elevational view of the right side of FIG. 6;  
 FIG. 10 is a side elevational view of a third form of the design of FIG. 1, the side opposite being a mirror image thereof;  
 FIG. 11 is a top plan view of said third form and of the fourth form of my new design shown in FIGS. 15-18;  
 FIG. 12 is a bottom plan view of said third form;  
 FIG. 13 is an elevational view of the left side of FIG. 10;  
 FIG. 14 is an elevational view of the right side of FIG. 10;  
 FIG. 15 is a side elevational view of a fourth form of the design of FIG. 1, the side opposite being a mirror image thereof;  
 FIG. 16 is a bottom plan view of said fourth form;  
 FIG. 17 is an elevational view of the left side of FIG. 15;  
 FIG. 18 is an elevational view of the right side of FIG. 15.



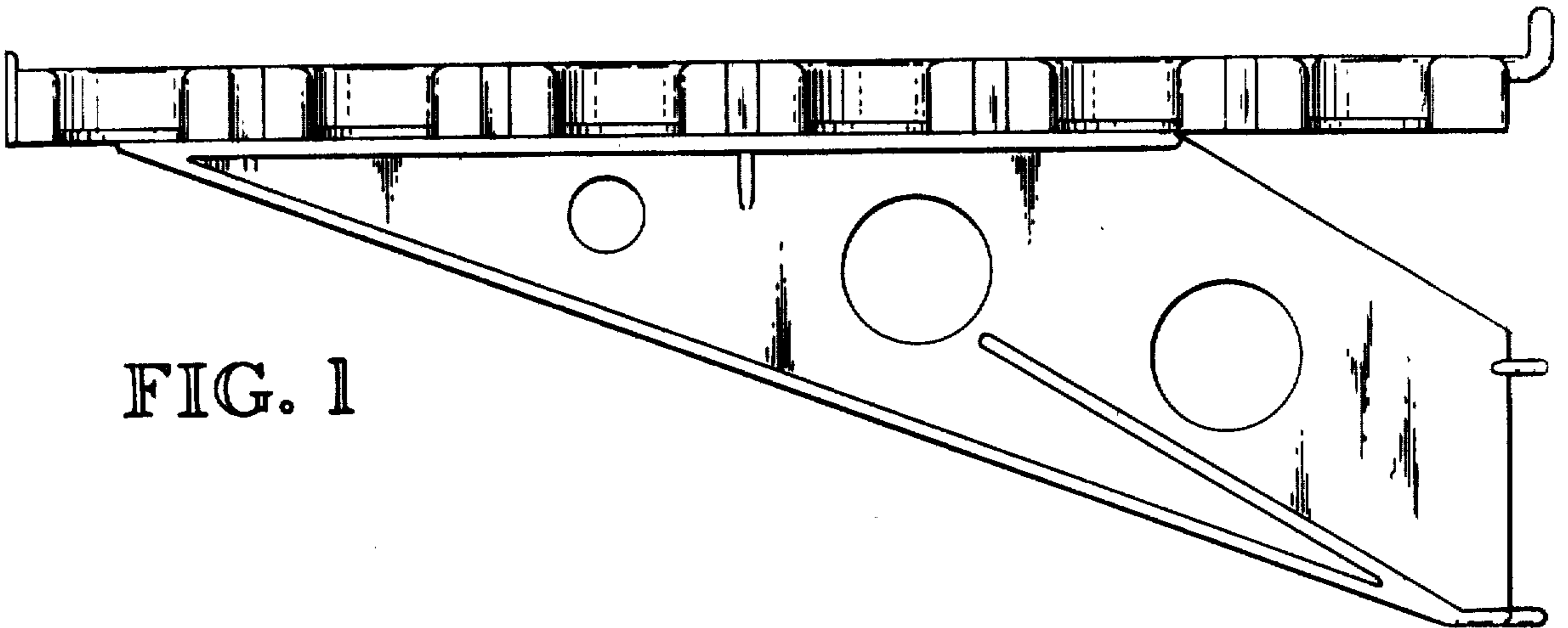


FIG. 1

FIG. 2

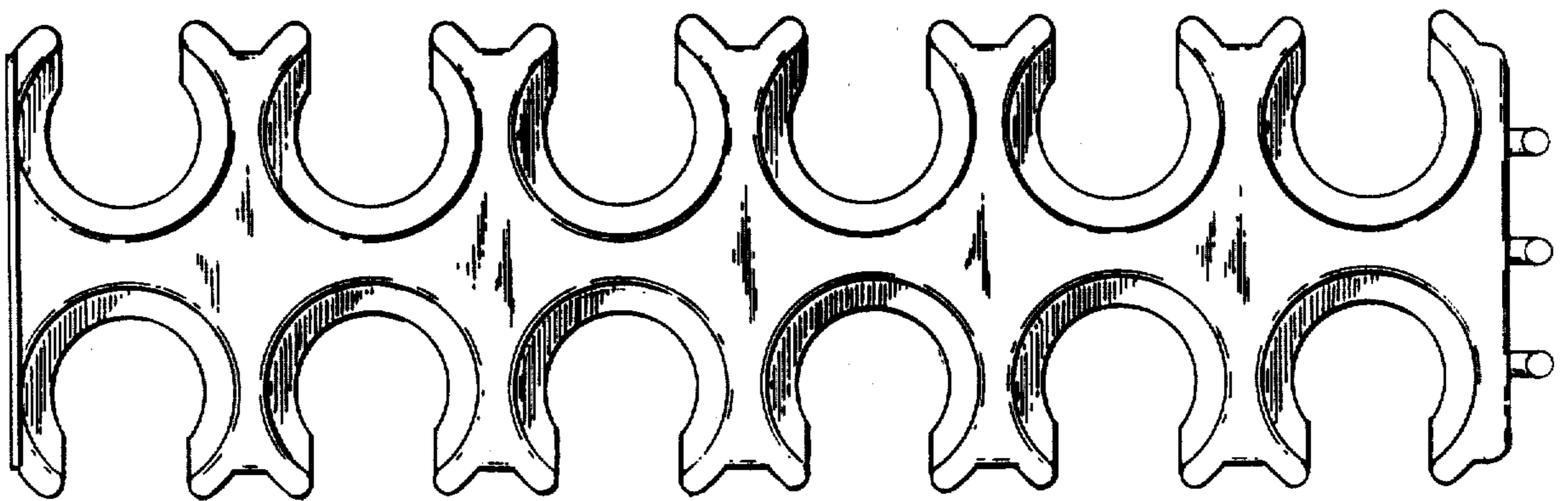
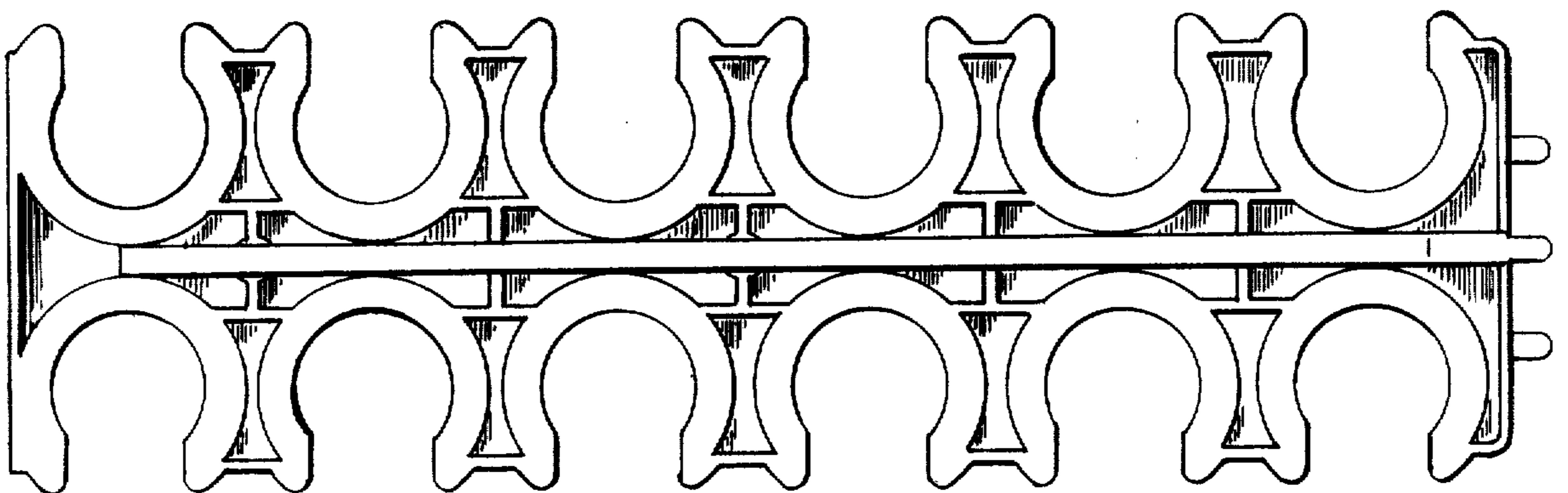


FIG. 3



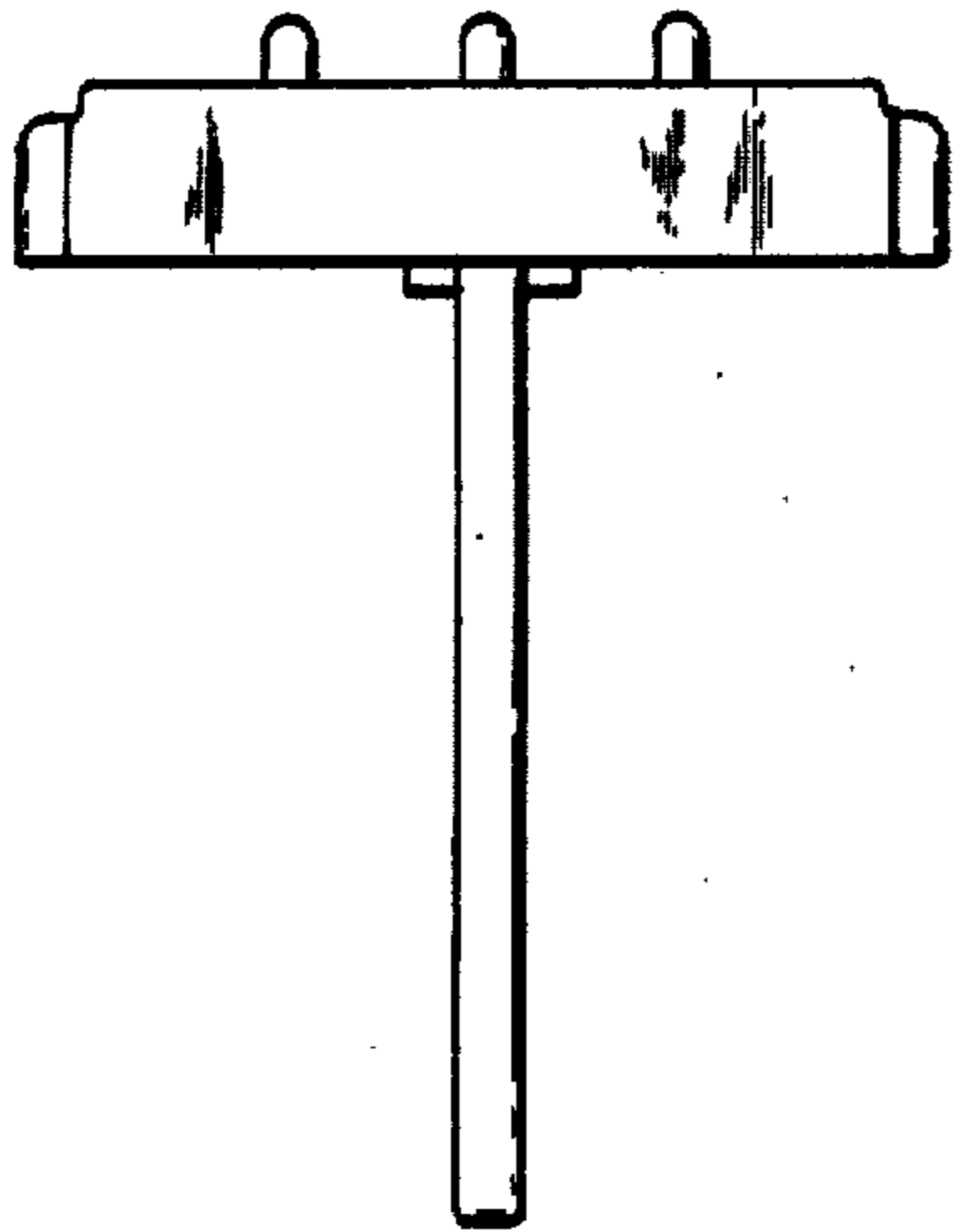


FIG. 4

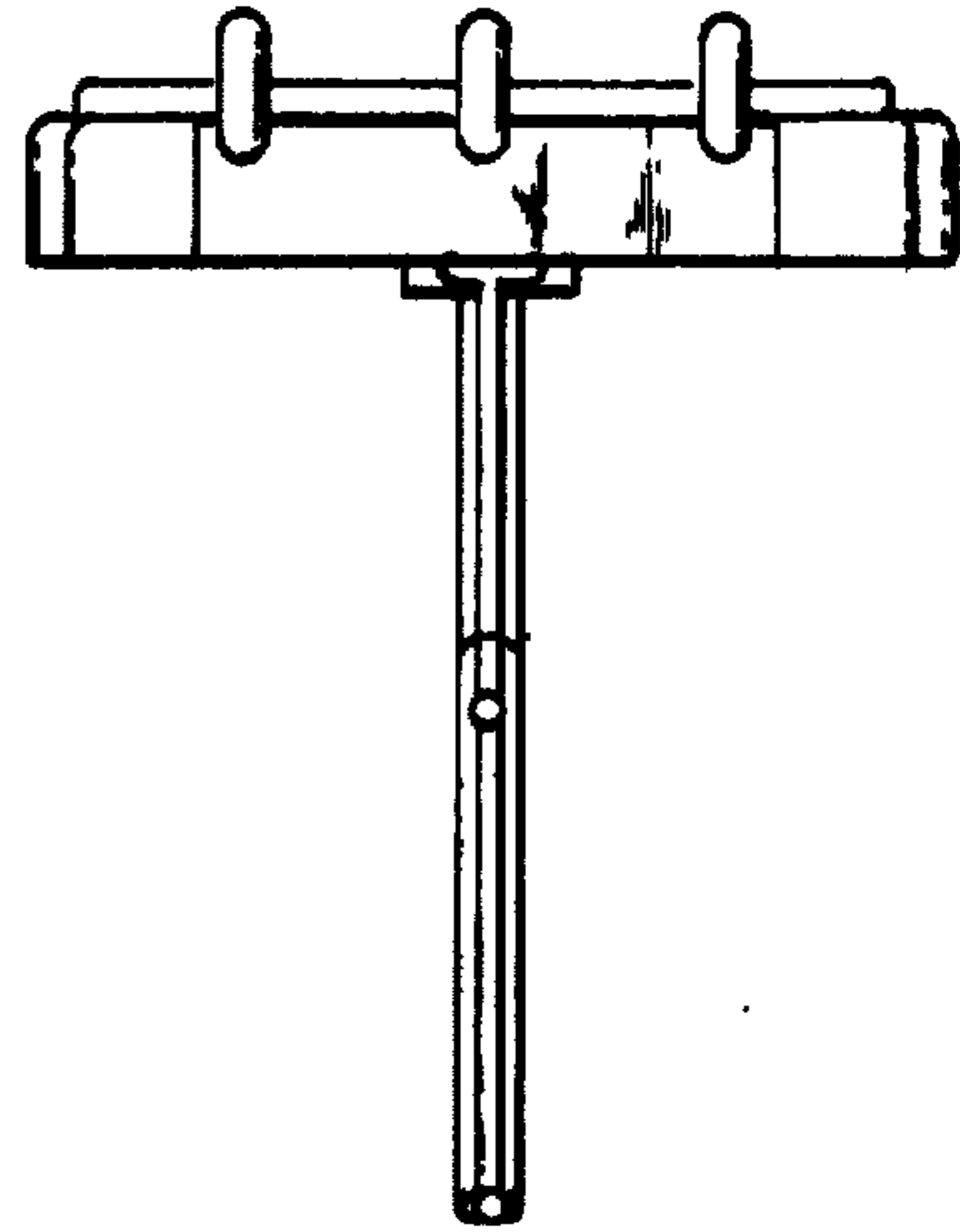


FIG. 5

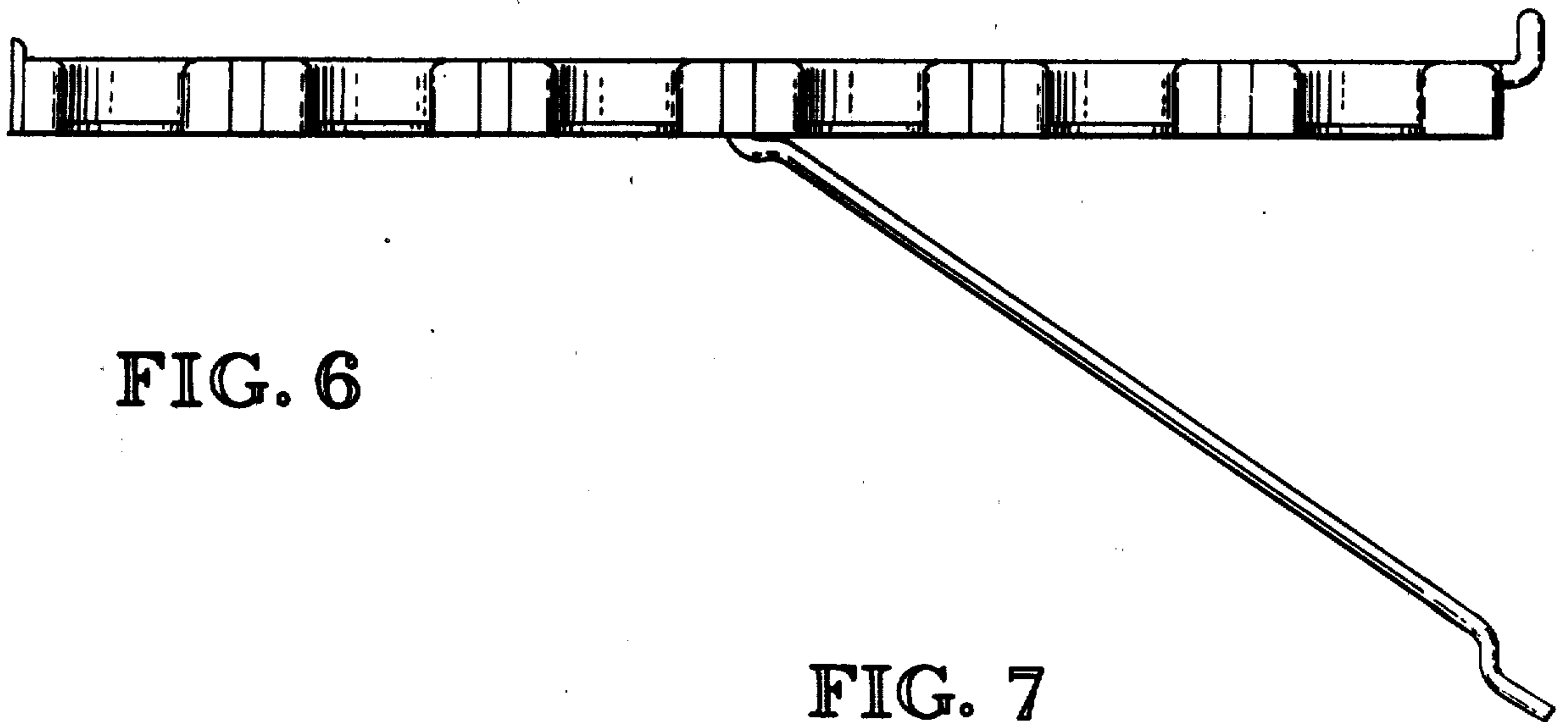
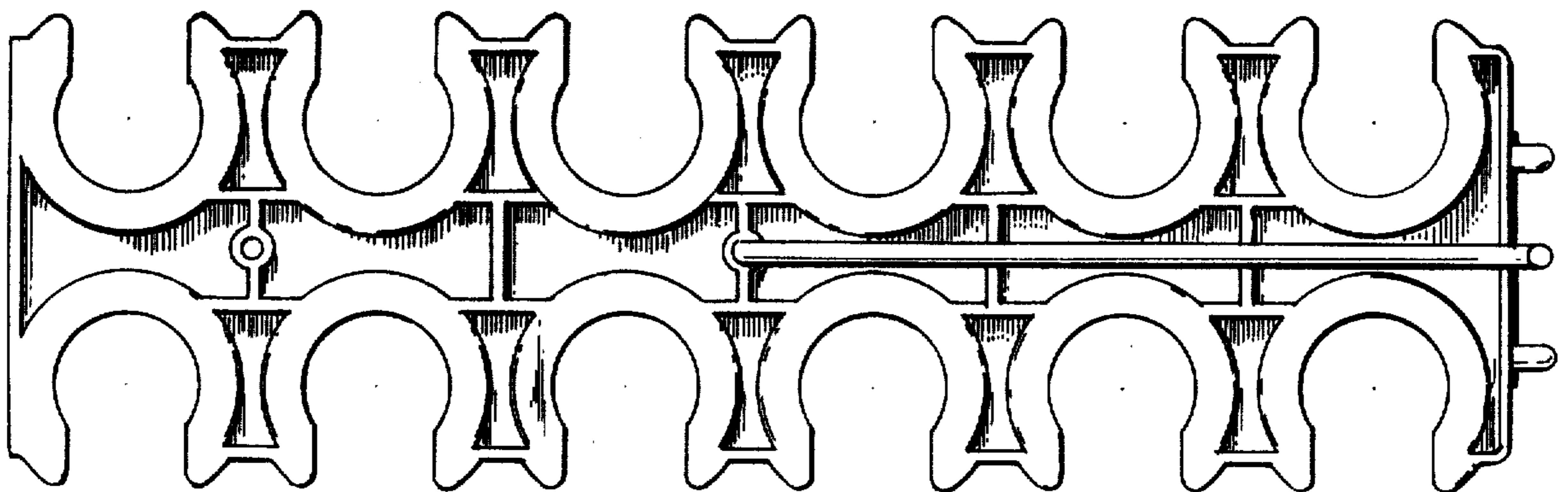


FIG. 6

FIG. 7





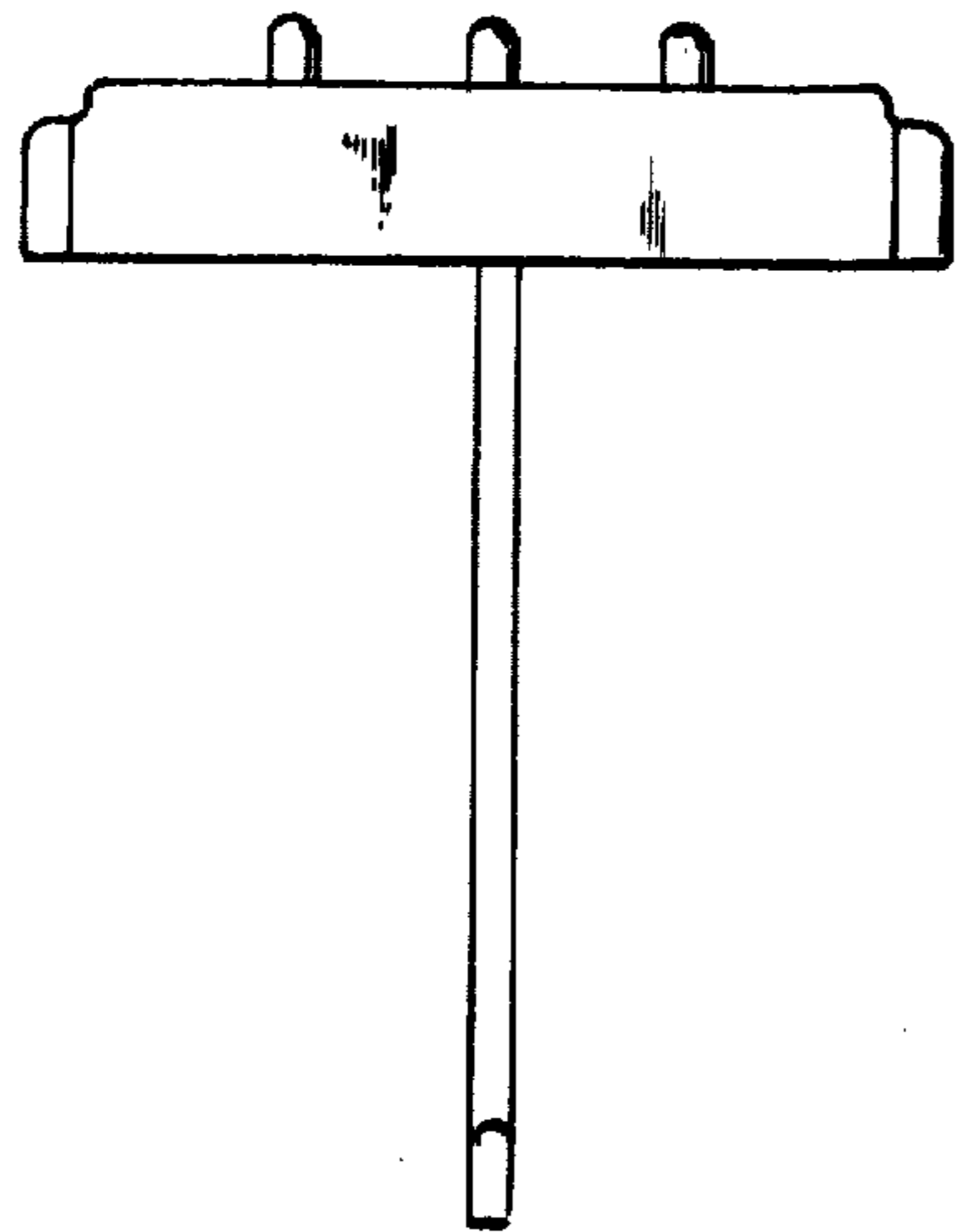


FIG. 8

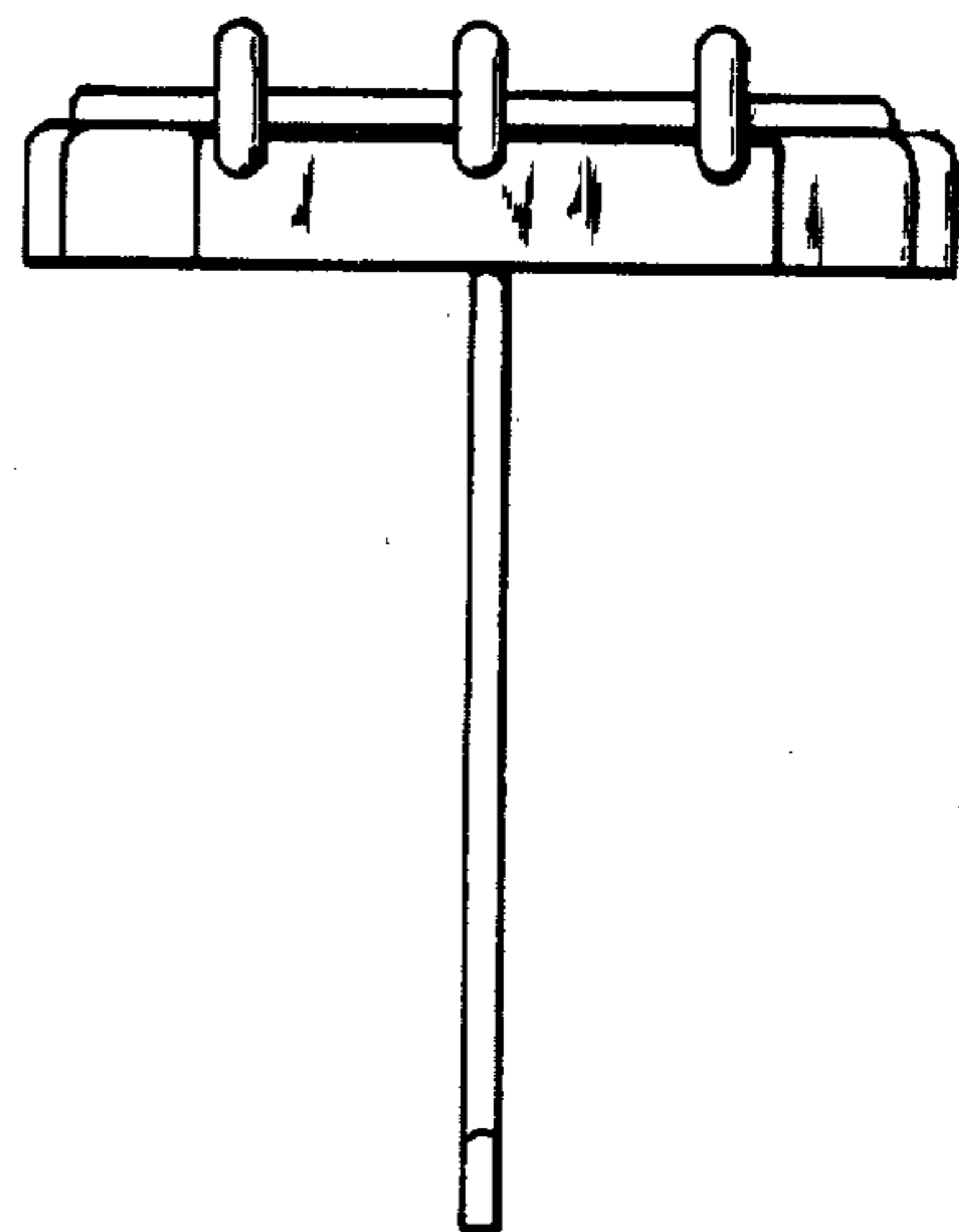


FIG. 9

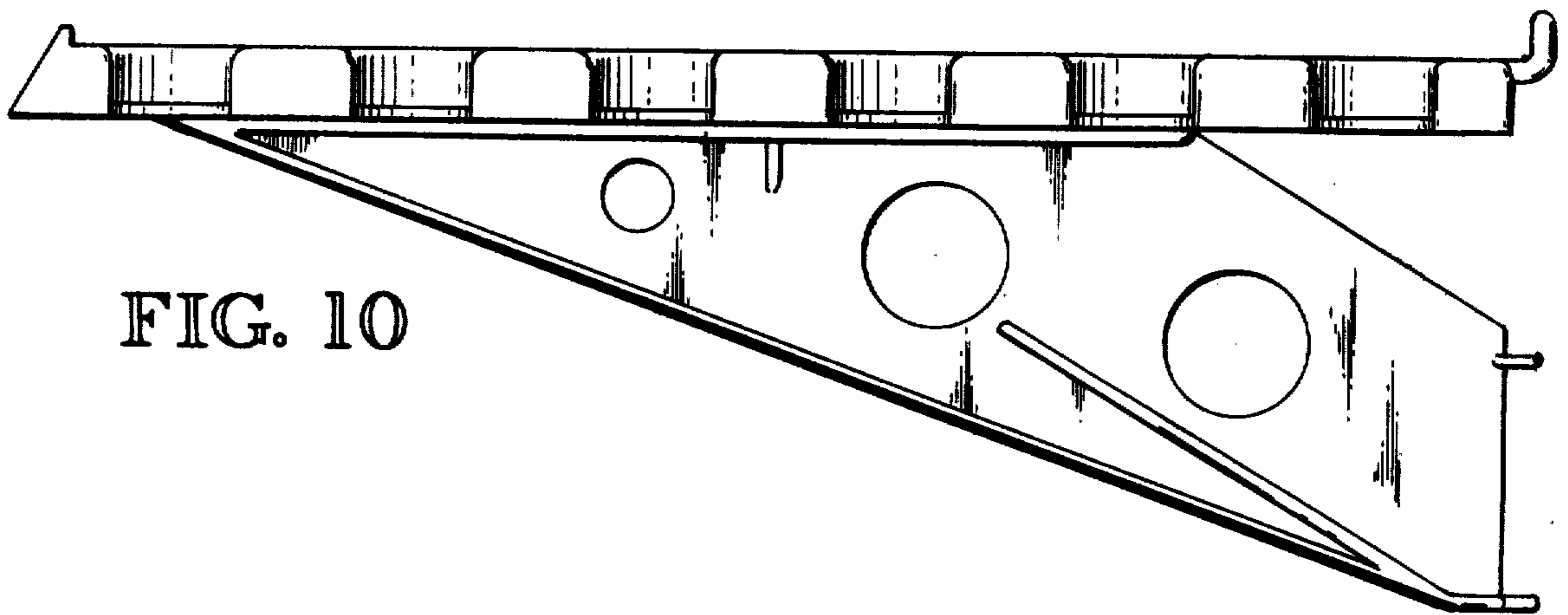


FIG. 10

FIG. 11

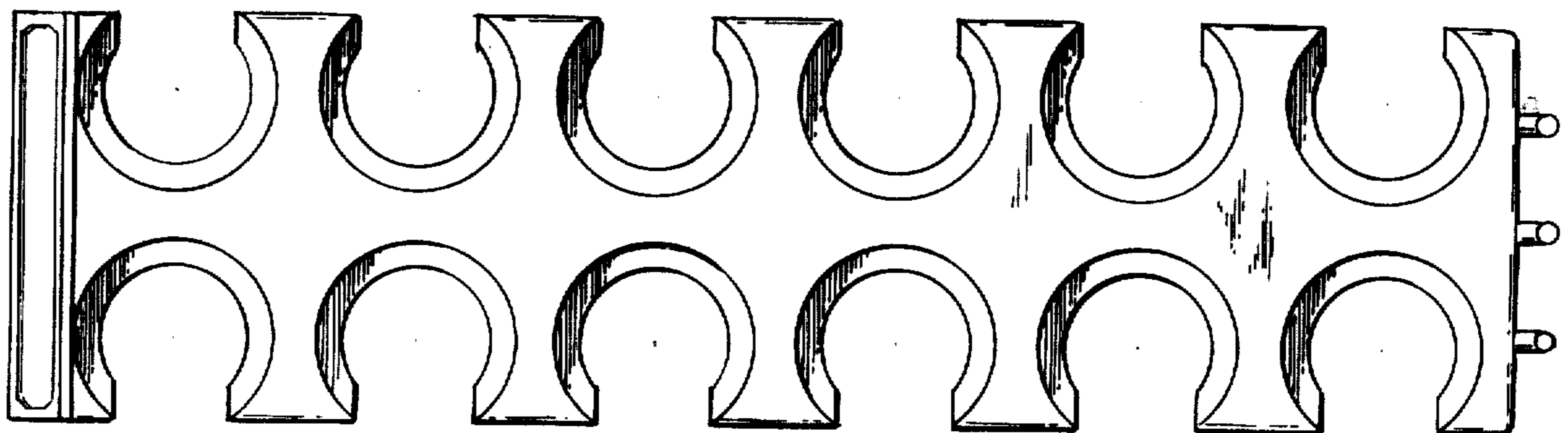


FIG. 12

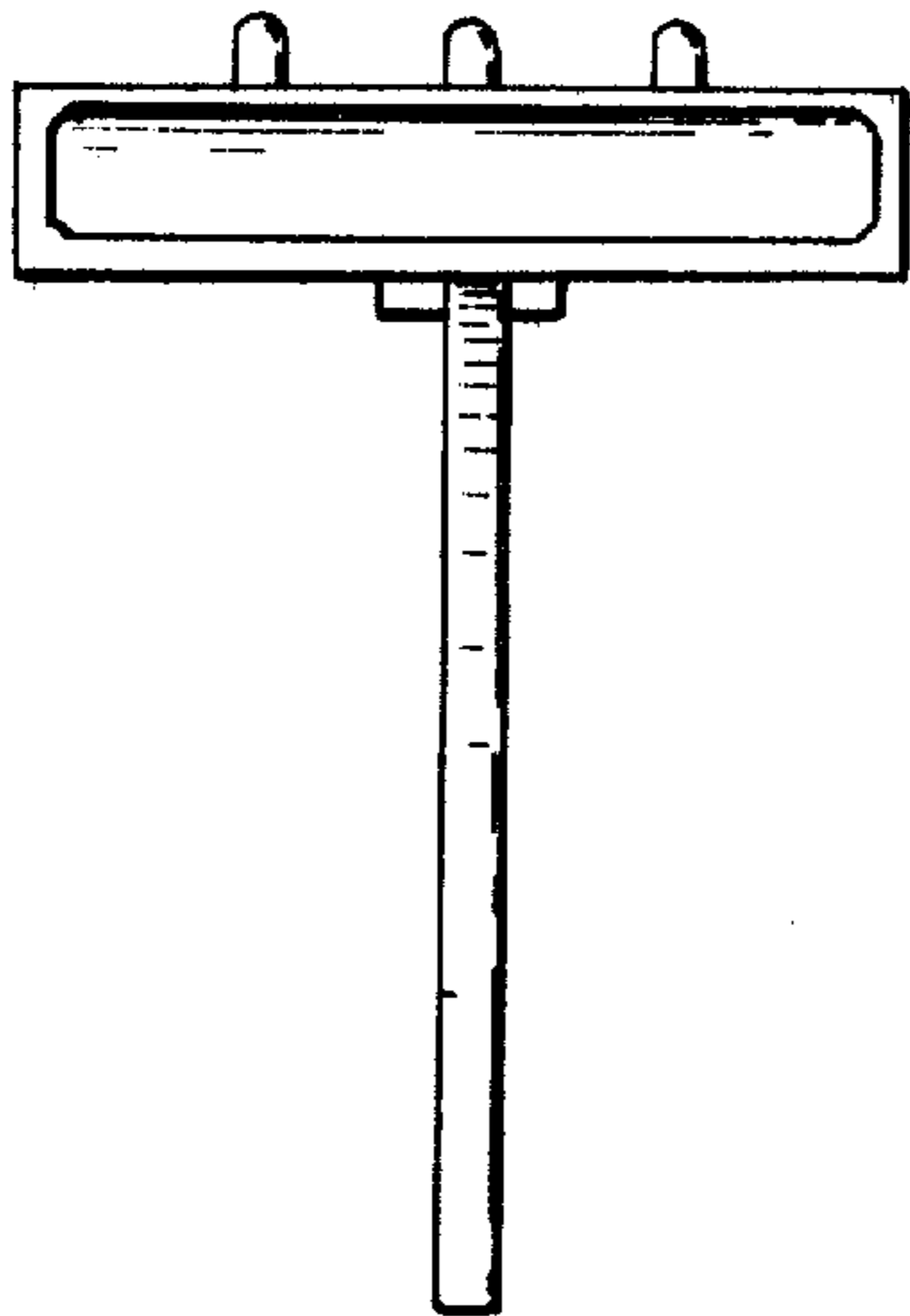
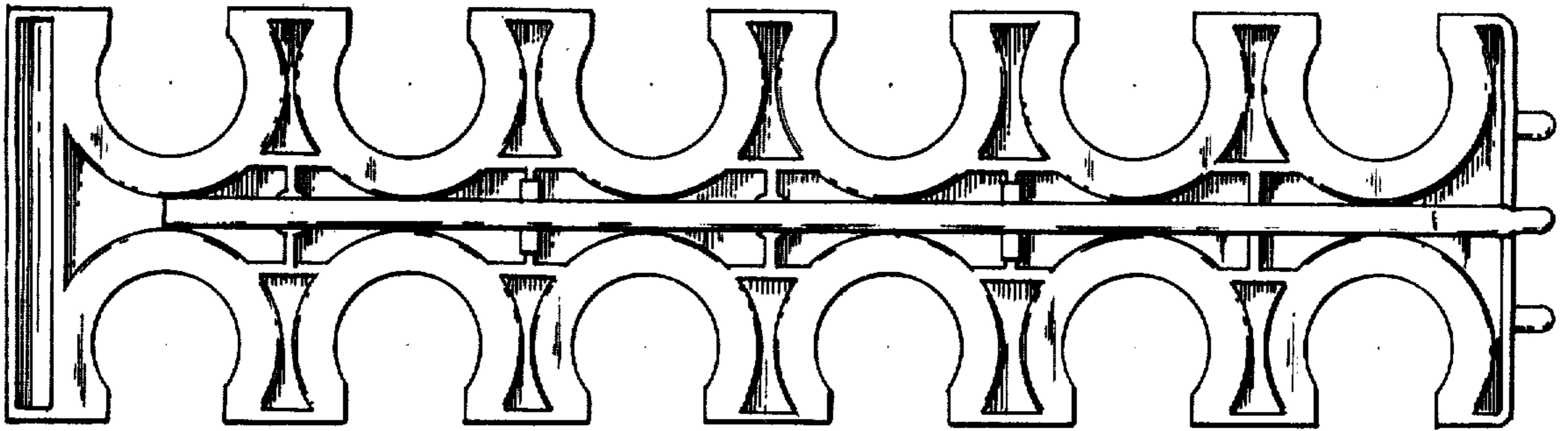


FIG. 13

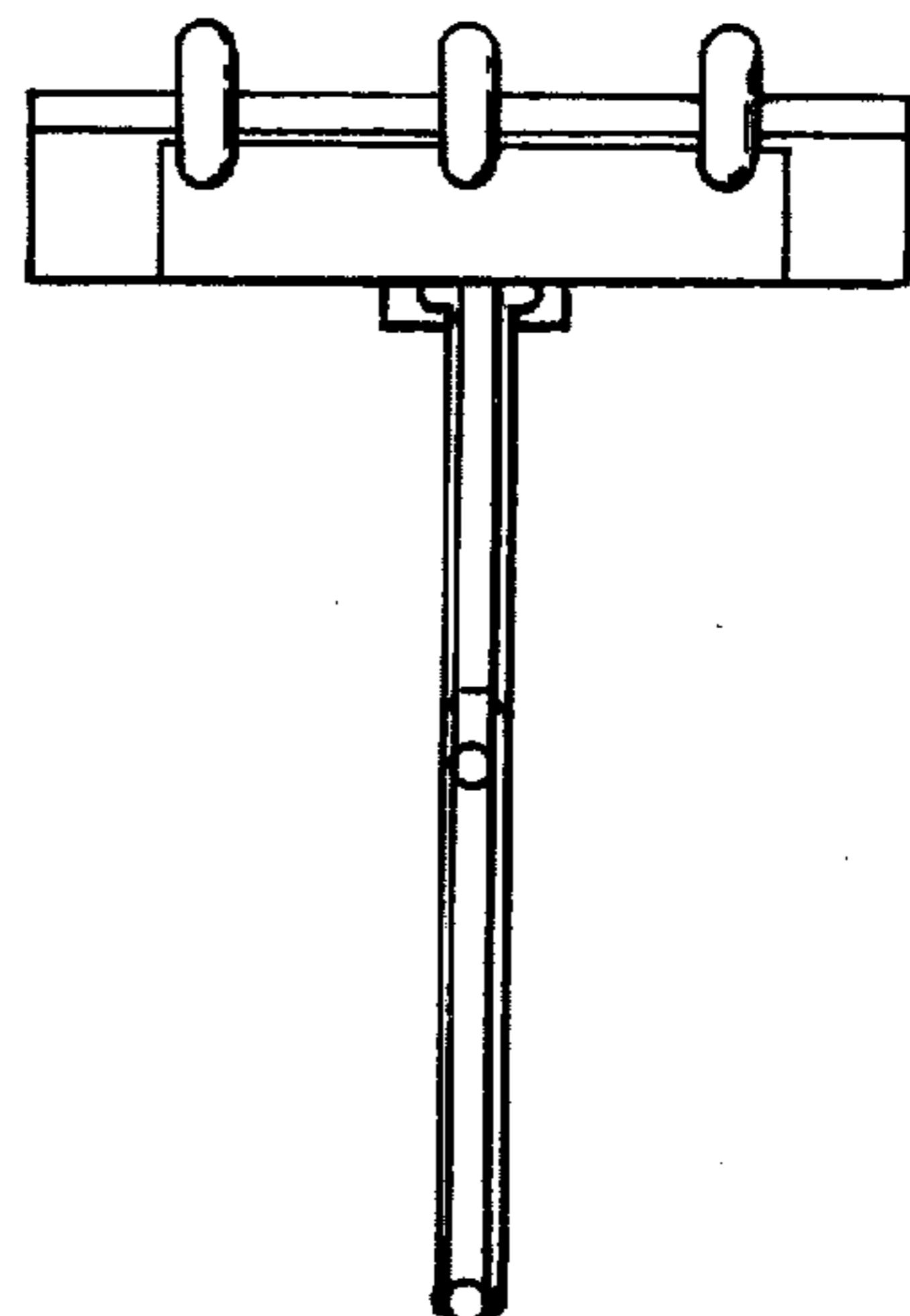


FIG. 14

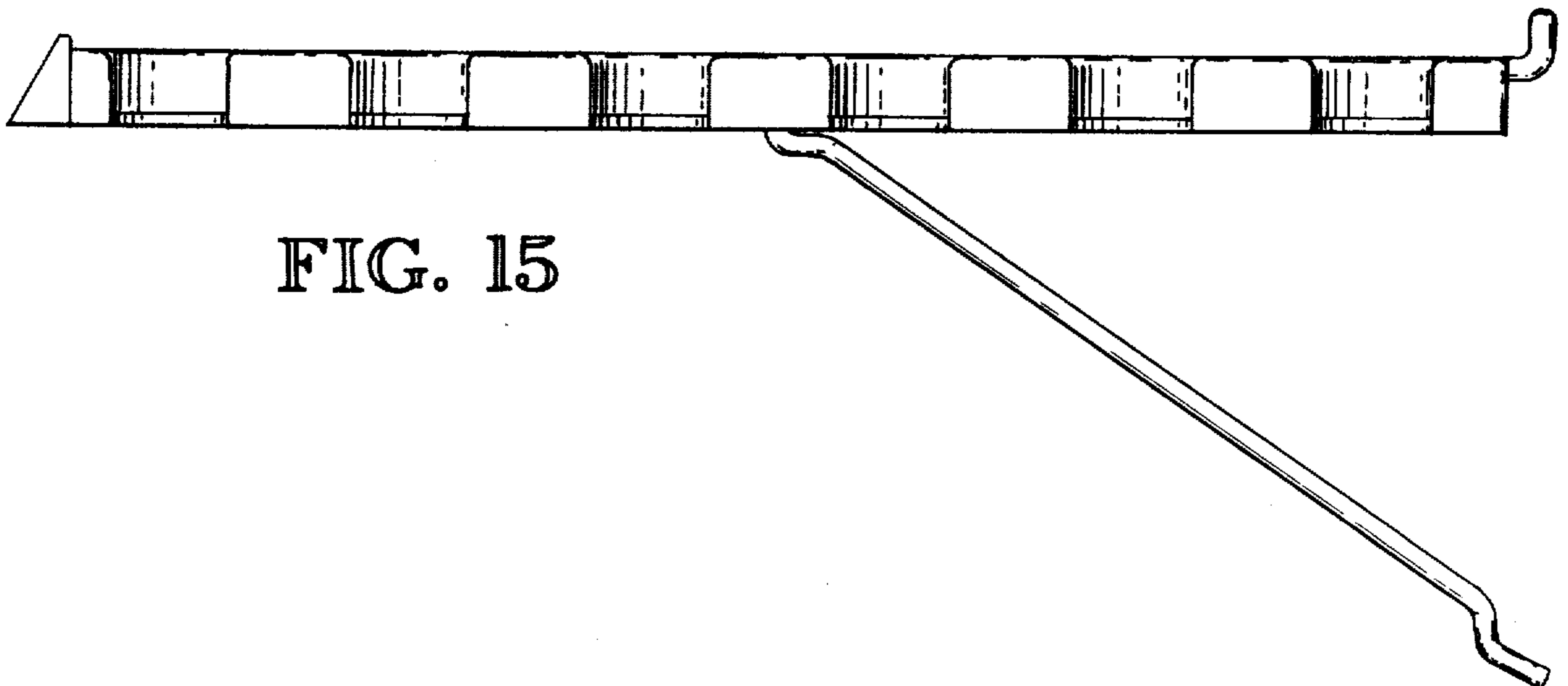


FIG. 15

FIG. 16

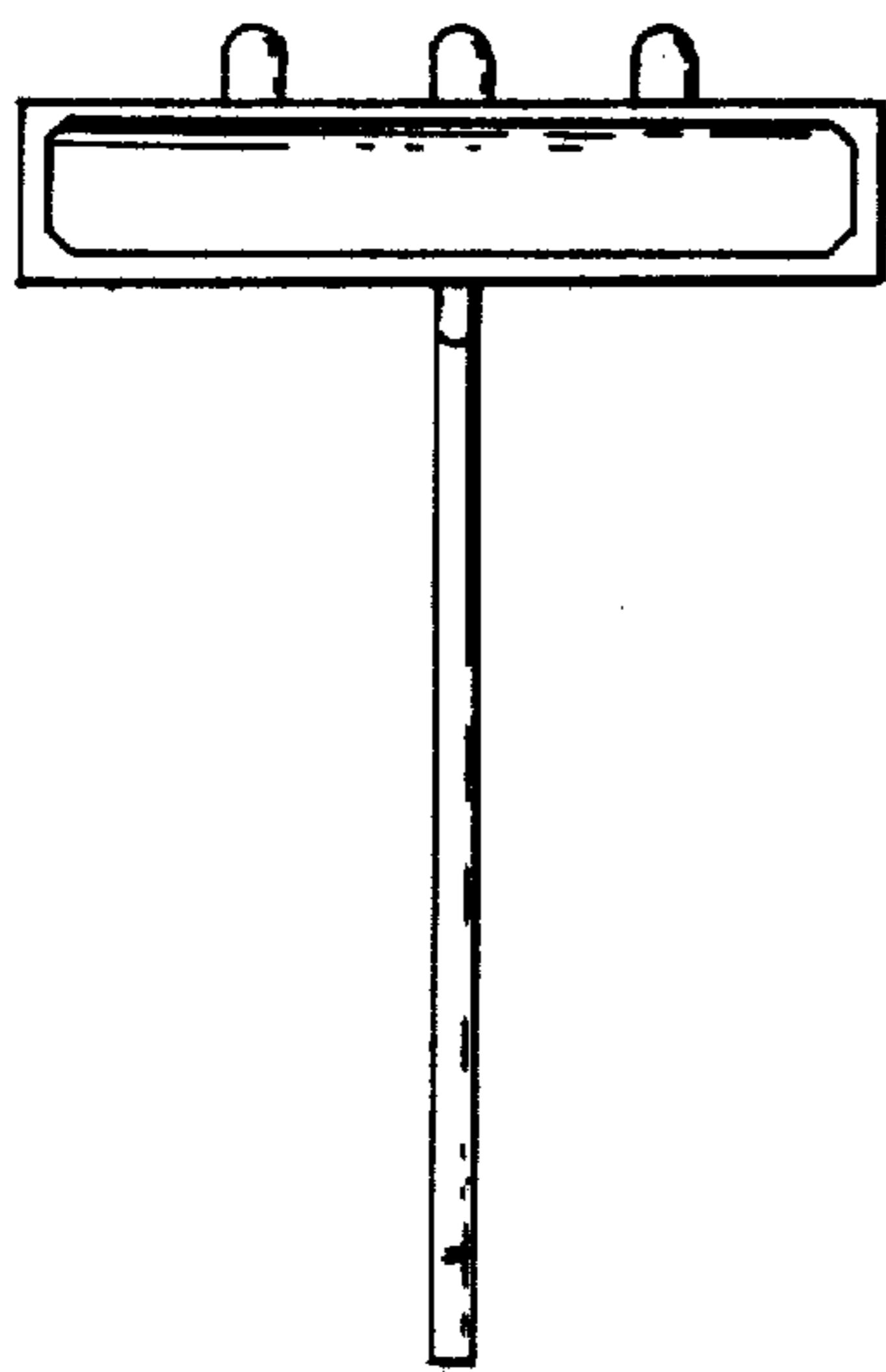
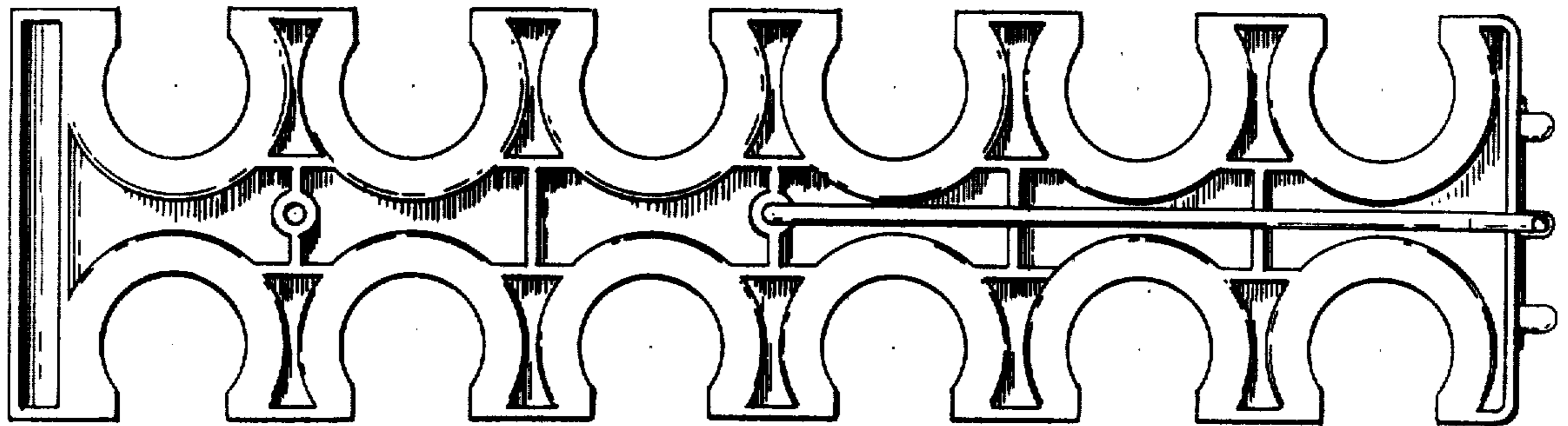


FIG. 17

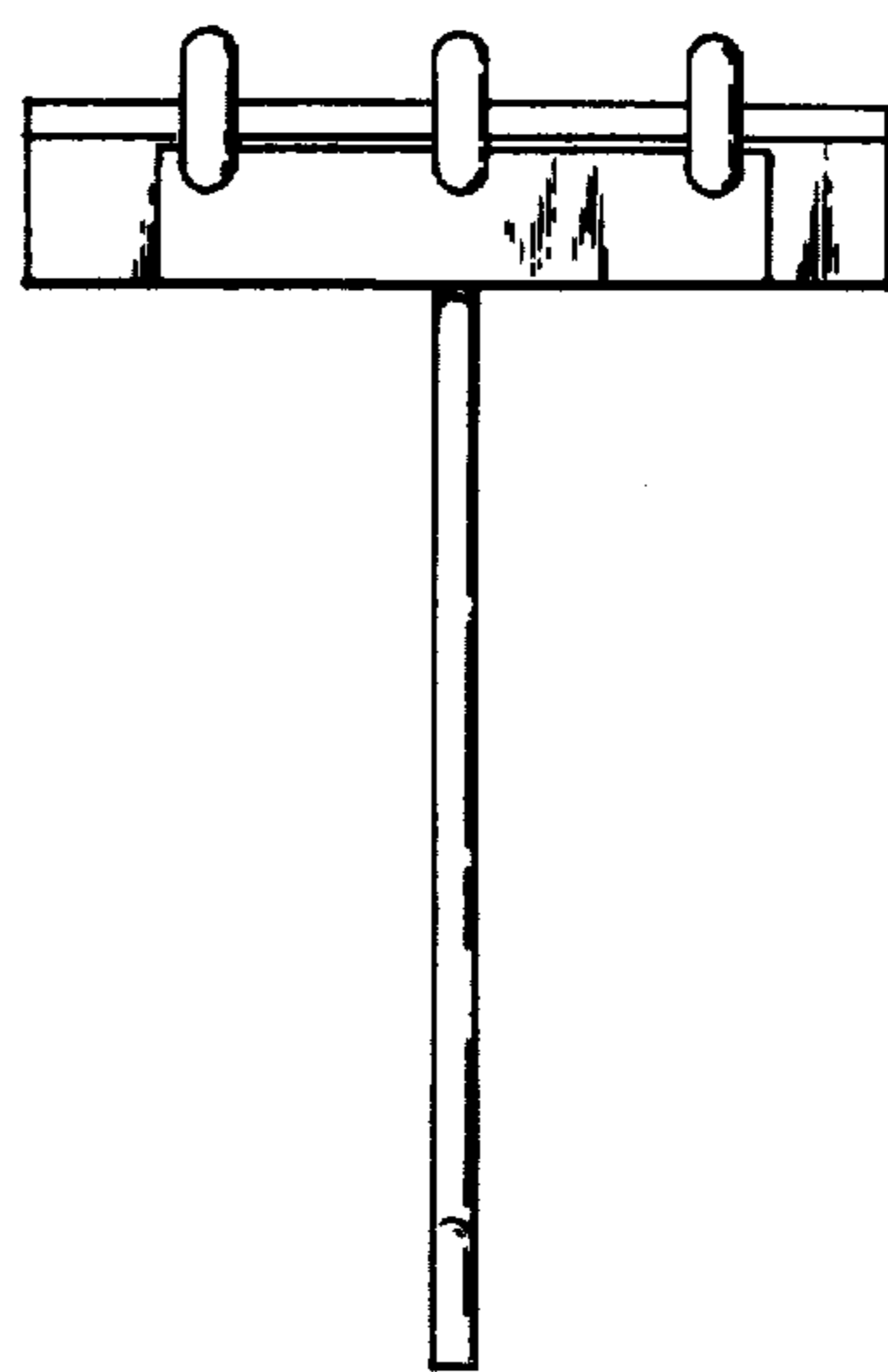


FIG. 18