

[54] CRADLE

[76] Inventor: Jose C. Almela, 62 St. Charles Rd.,
Greenfield Park, Quebec, Canada

[**] Term: 14 Years

[21] Appl. No.: 336,424

[22] Filed: Dec. 31, 1981

[30] Foreign Application Priority Data

Oct. 20, 1981 [CA] Canada 23-10-81-13

[52] U.S. Cl. D6/15

[58] Field of Search D6/5, 15, 16, 79;
5/101

[56]

References Cited

U.S. PATENT DOCUMENTS

- D. 165,921 2/1952 Ippokto D6/15 X
- D. 172,295 5/1954 Medoff D6/15 X
- D. 184,738 3/1959 Josephson D6/15 X
- D. 228,535 10/1973 Lundgren et al. D6/15

Primary Examiner—Bruce W. Dunkins

[57]

CLAIM

The ornamental design for a cradle, as shown and described.

DESCRIPTION

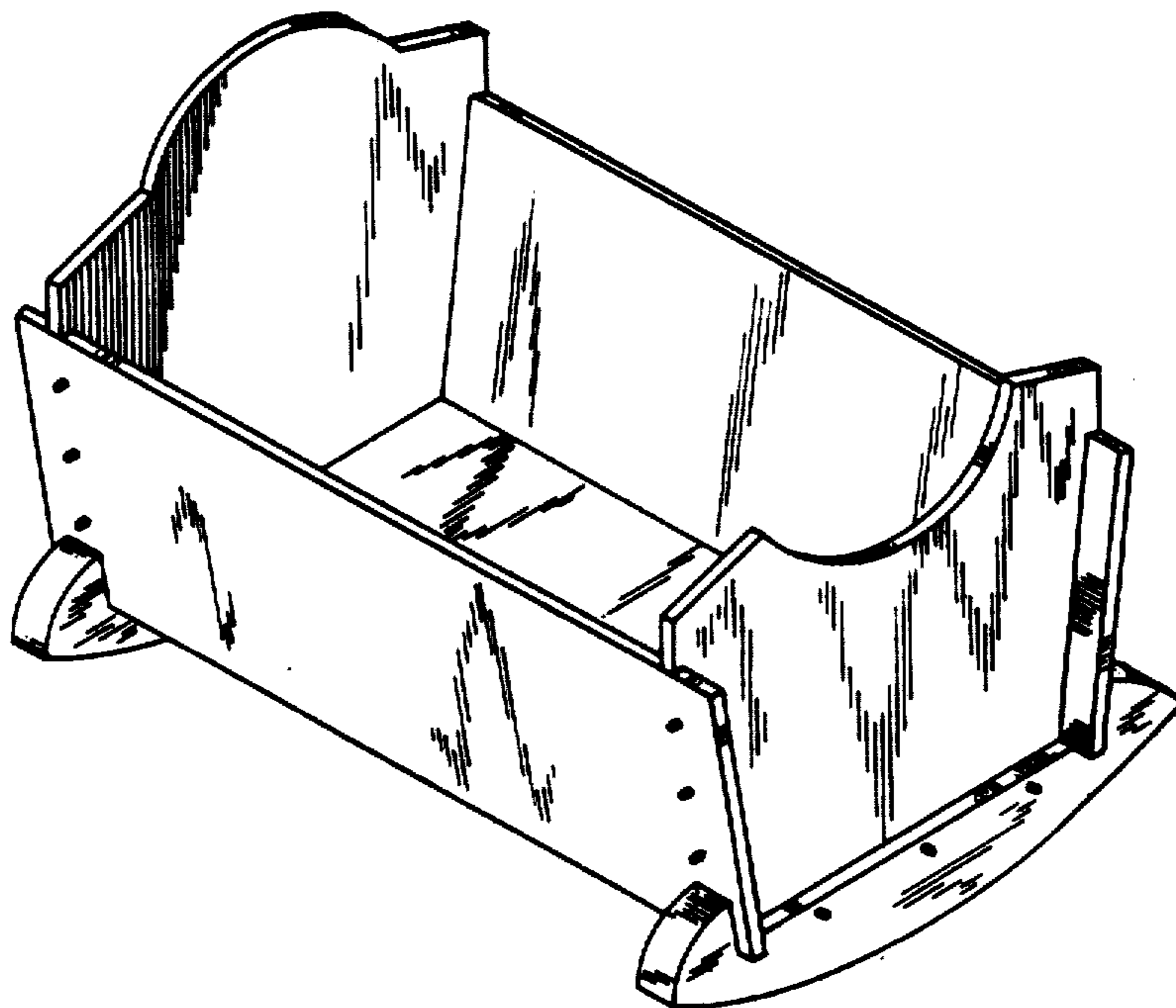
FIG. 1 is a perspective view of a cradle showing my design;

FIG. 2 is a front elevational view;

FIG. 3 is a rear elevational view; and

FIG. 4 is a lateral cross-sectional view thereof.

The undisclosed surfaces of the side panels are conventionally flat and unornamented.



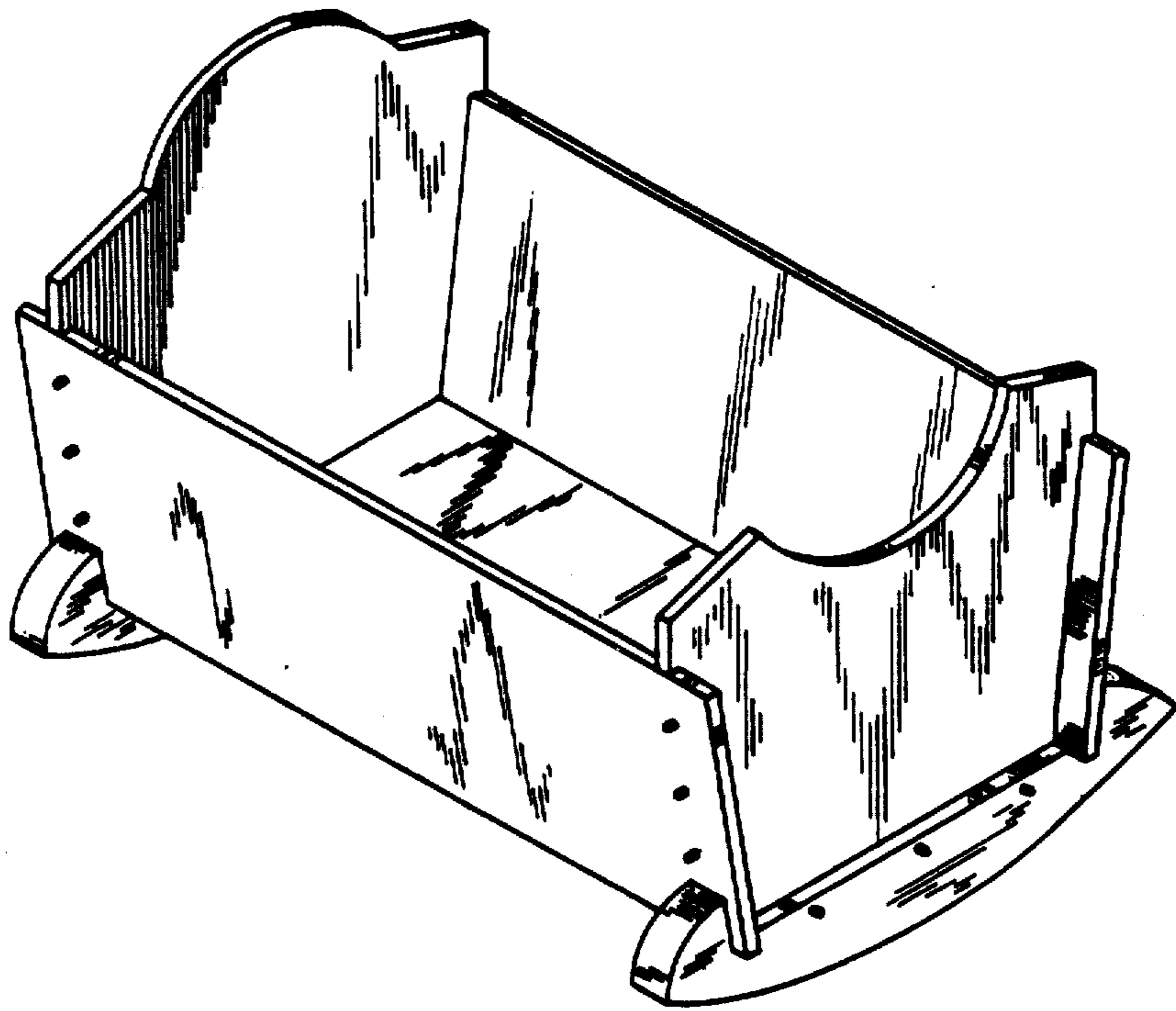


FIG 1

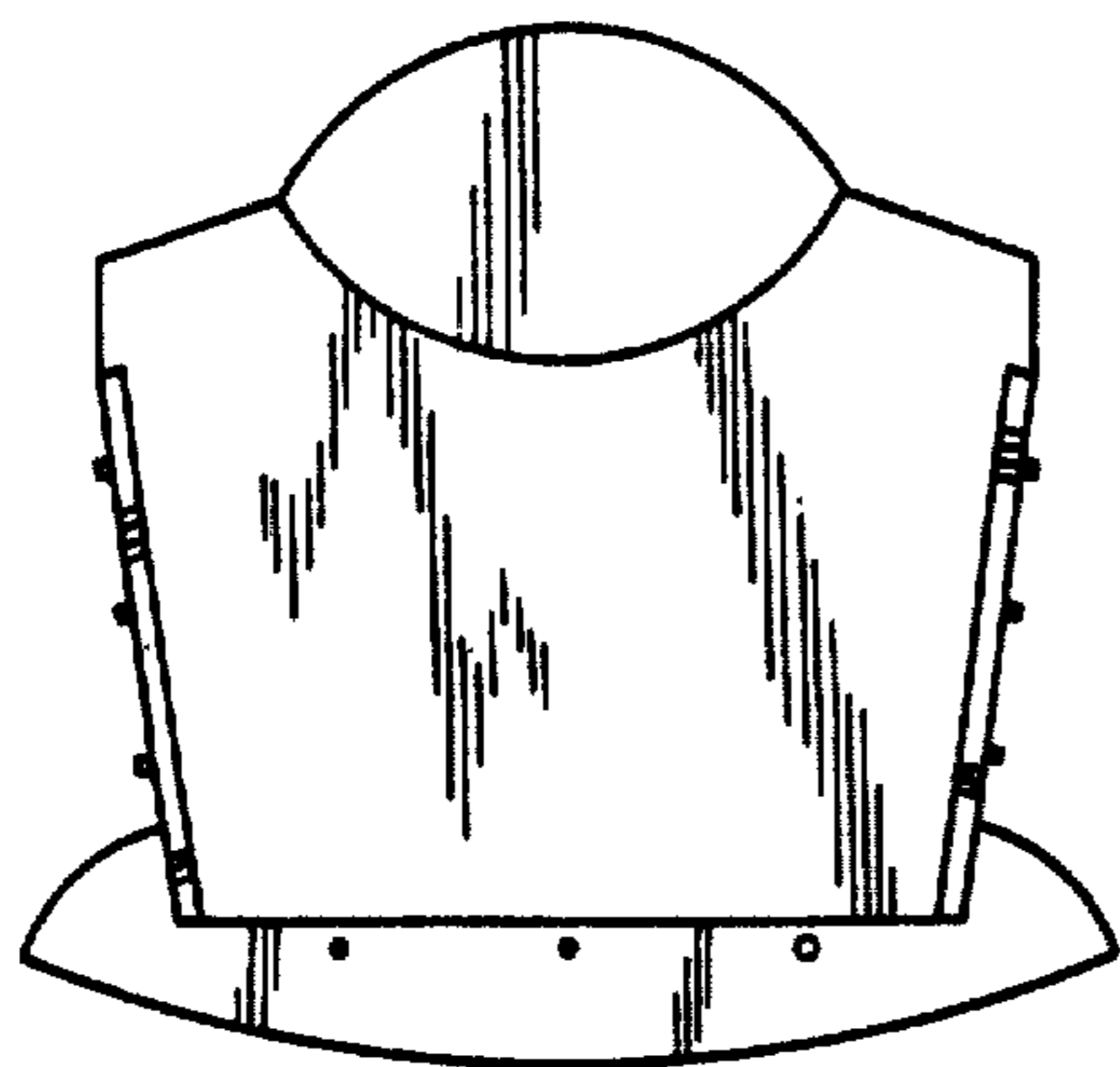


FIG 2

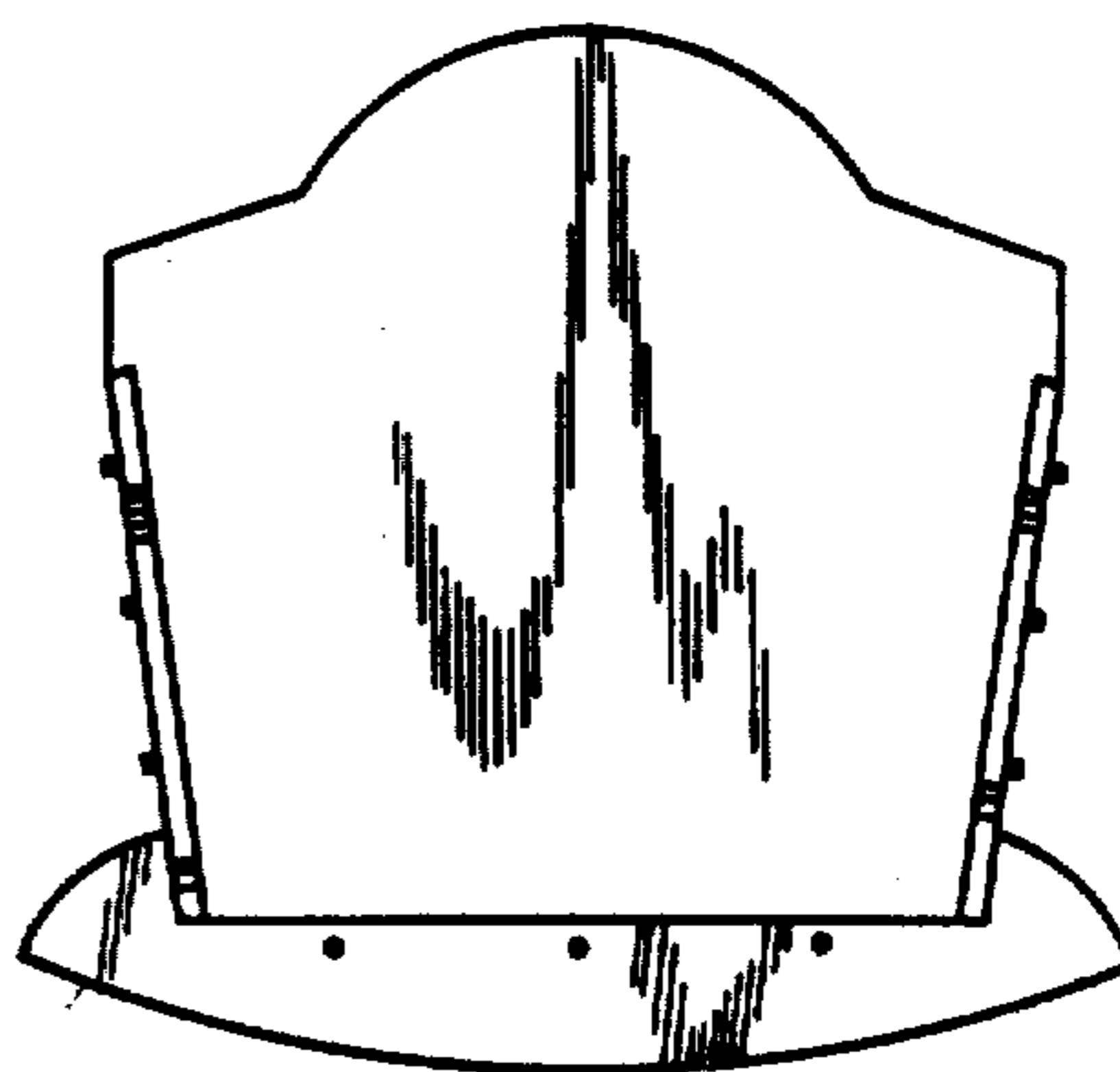


FIG 3

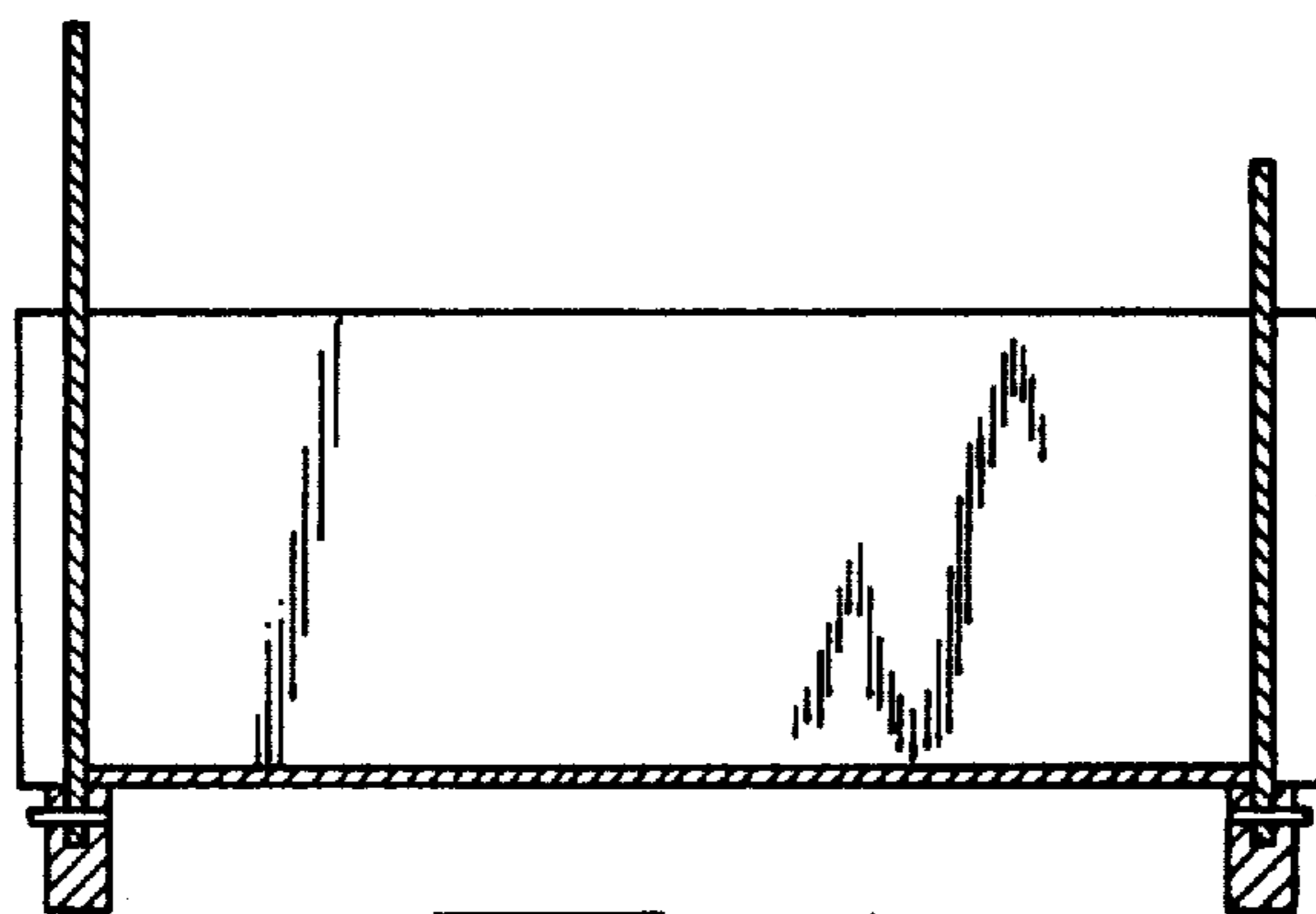


FIG 4