

[54] VACUUM CLEANER INTAKE MEMBER

[76] Inventor: Grace Farr, 5699 Wedekind Rd., Sparks, Nev. 85431

[**] Term: 14 Years

[21] Appl. No.: 299,553

[22] Filed: Sep. 4, 1981

[52] U.S. Cl. D32/31

[58] Field of Search D32/25, 33, 31; 15/400, 15/415

References Cited

U.S. PATENT DOCUMENTS

| | | | |
|-----------|---------|------------|--------|
| 2,659,924 | 11/1953 | Forsberg | 15/400 |
| 2,679,068 | 5/1954 | Wied | 15/400 |
| 2,913,756 | 11/1959 | MacFarland | 15/400 |
| 3,601,837 | 8/1971 | Conrad | 15/415 |

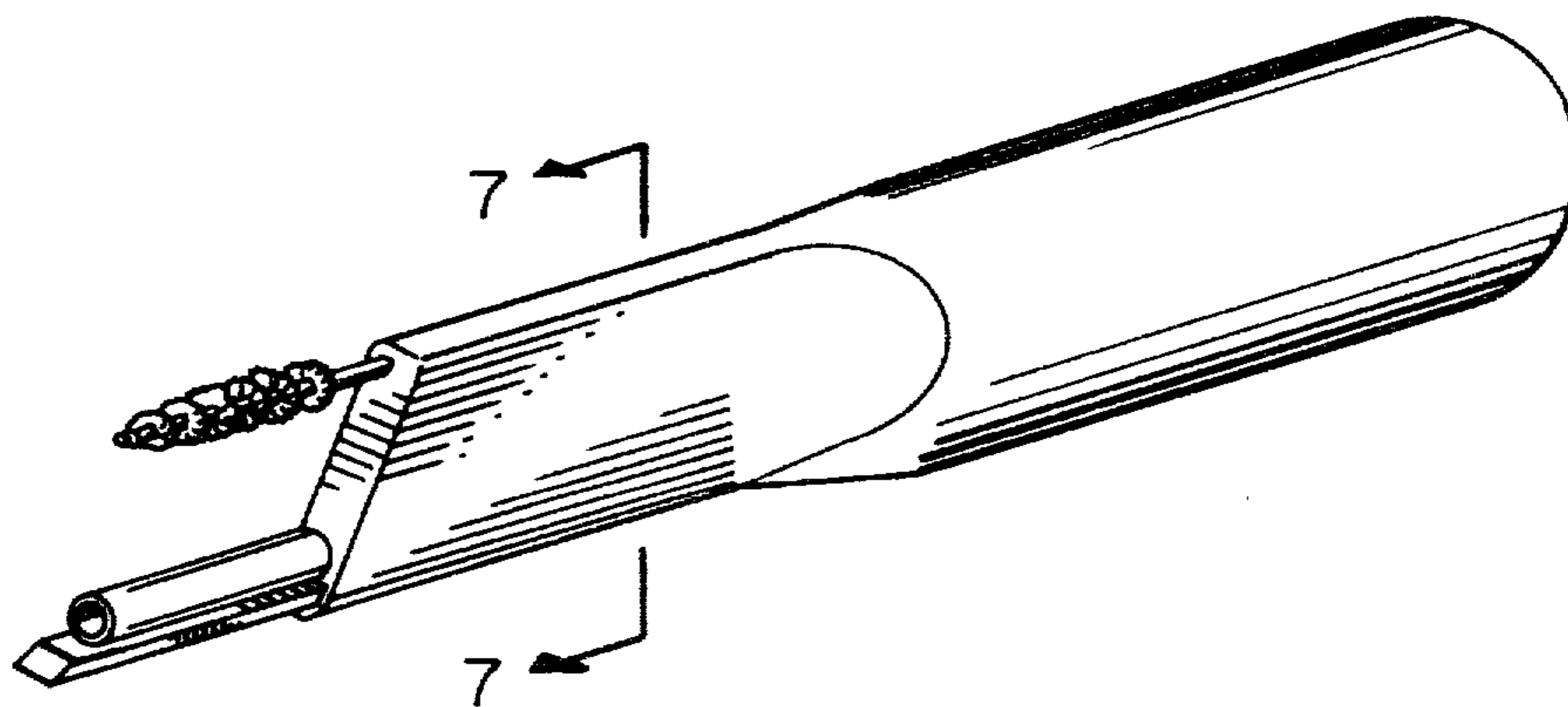
Primary Examiner—Wallace R. Burke
Assistant Examiner—Lynn Wilder
Attorney, Agent, or Firm—Herbert C. Schulze

[57] CLAIM

The ornamental design for a vacuum cleaner intake member, as shown and described.

DESCRIPTION

FIG. 1 is a perspective showing the front, top and right side of the vacuum cleaner intake member; FIG. 2 is a right side elevation of the device of FIG. 1 the left side is a mirror image of FIG. 2; FIG. 3 is a top elevation of the device of FIG. 1; FIG. 4 is a bottom plan of the device of FIG. 1; FIG. 5 is a back elevation of the device of FIG. 1; FIG. 6 is a front elevation of the device of FIG. 1; and FIG. 7 is a section taken on line 7—7 viewing from the rear of the device of FIG. 1.



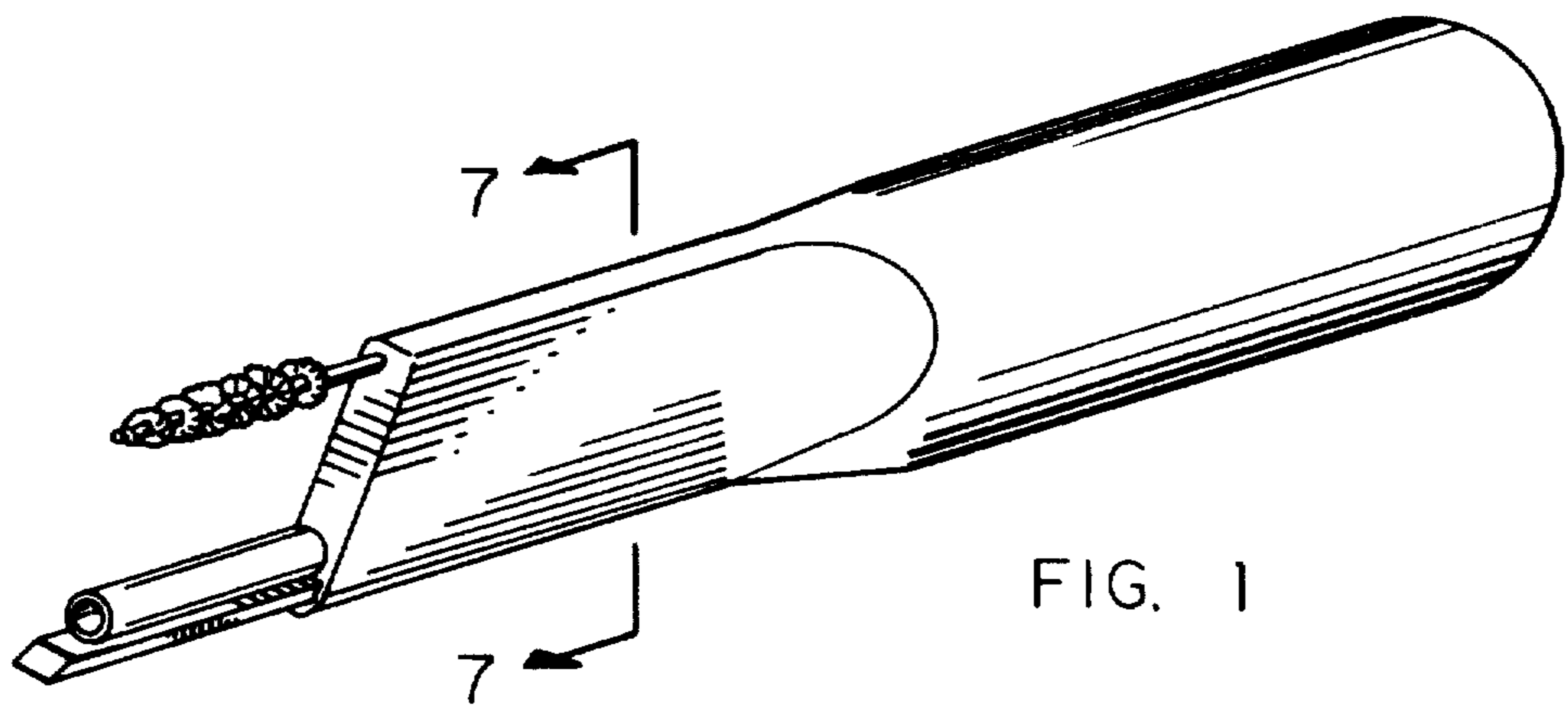


FIG. 1

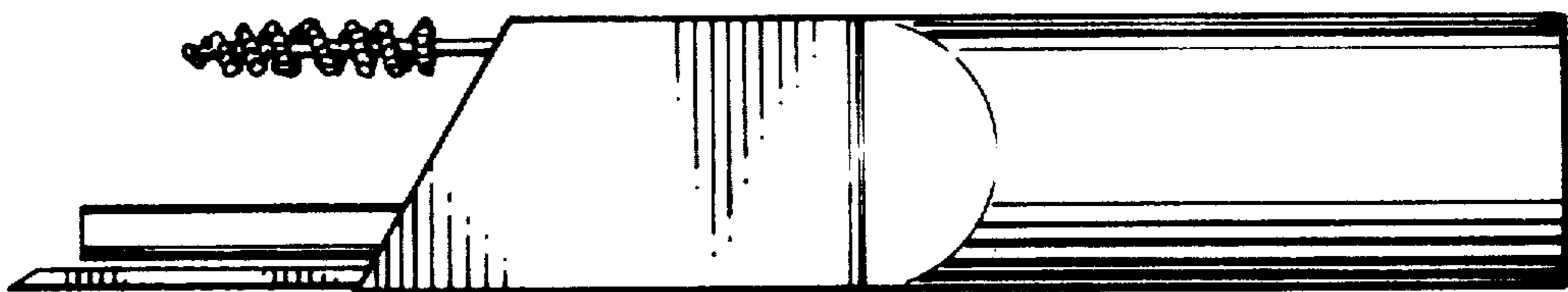


FIG. 2

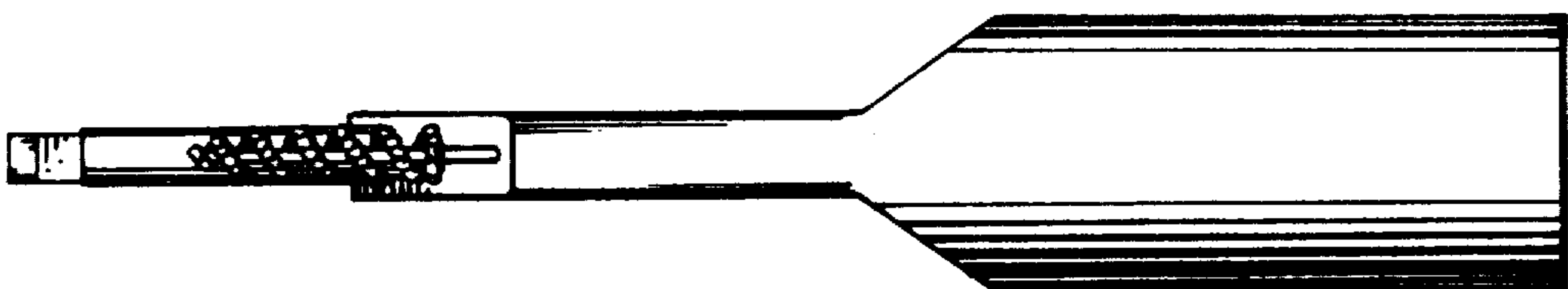


FIG. 3

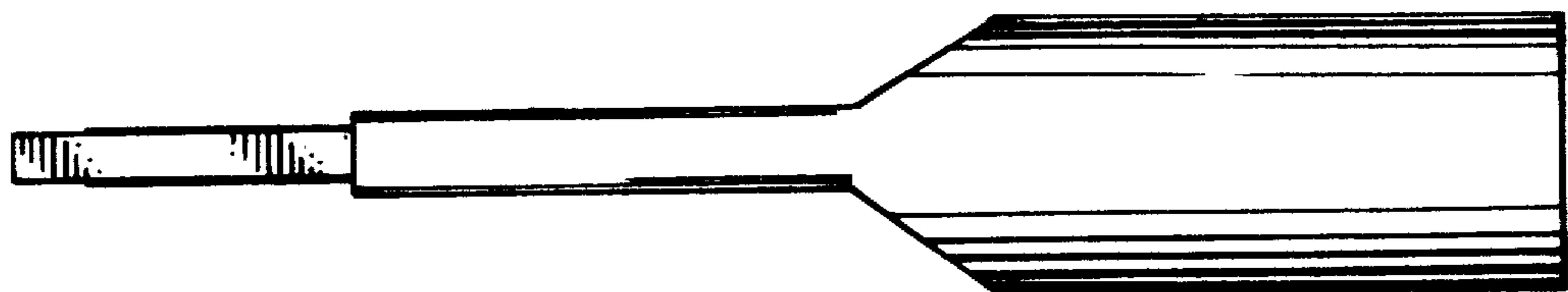


FIG. 4

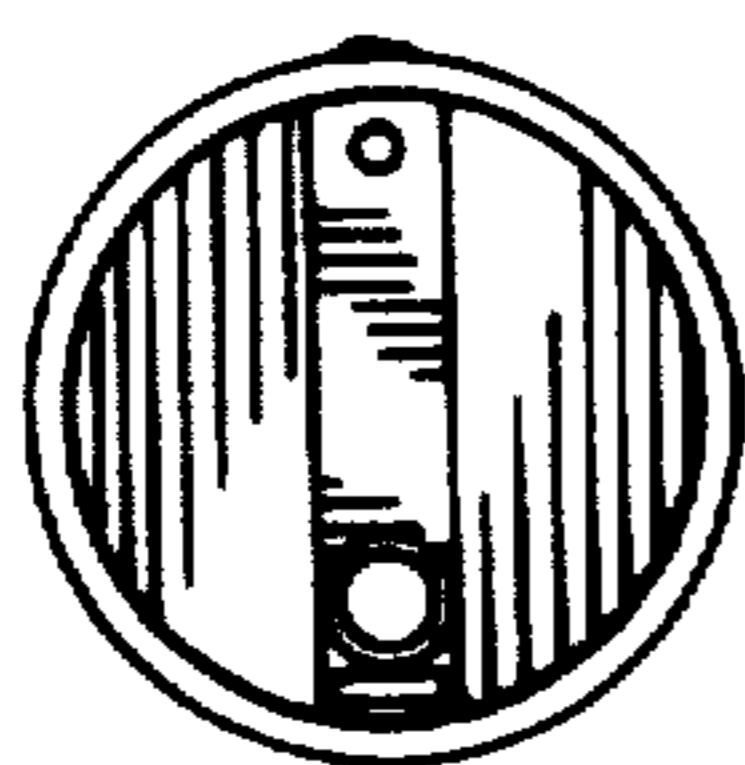


FIG. 5

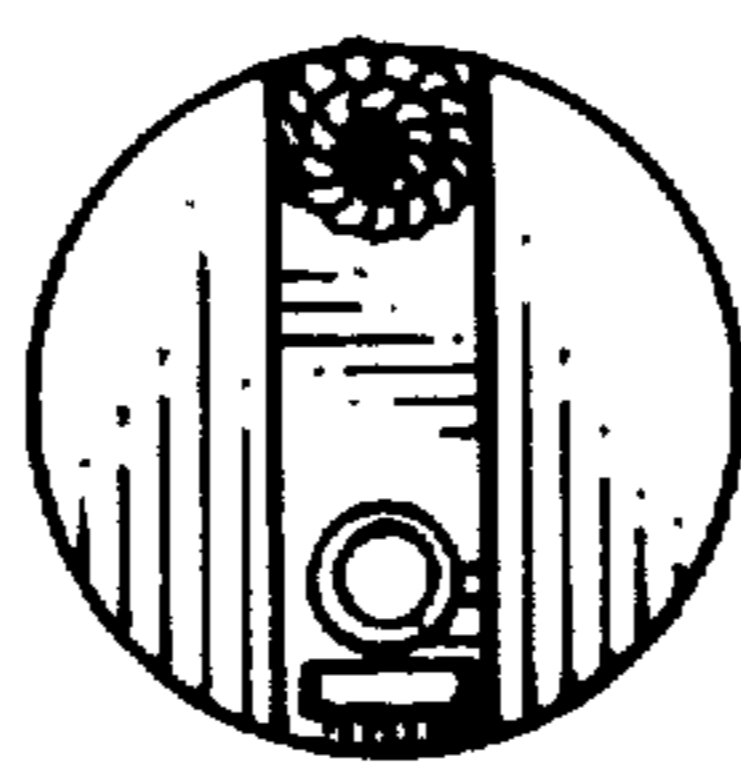


FIG. 6



FIG. 7