

[54] TABLE LAMP

[75] Inventor: Kittson Mann, Kowloon, Hong Kong

[73] Assignee: Chung Mei Metal & Plastic Factory Ltd., Kowloon, Hong Kong

[**] Term: 14 Years

[21] Appl. No.: 311,352

[22] Filed: Oct. 14, 1981

[30] Foreign Application Priority Data

Aug. 12, 1981 [GB] United Kingdom 1001932

[52] U.S. Cl. D26/93

[58] Field of Search D26/93-112; 362/410-414

[56] References Cited

U.S. PATENT DOCUMENTS

D. 237,534 11/1975 Jacobsen D26/108

FOREIGN PATENT DOCUMENTS

440182 12/1967 Switzerland 362/410

Primary Examiner—Susan J. Lucas

Attorney, Agent, or Firm—Mawhinney & Mawhinney & Connors

[57] CLAIM

The ornamental design for a table lamp, substantially as shown and described.

DESCRIPTION

FIG. 1 is a front perspective view of the table lamp showing my new design, the shade being shown in broken lines for illustrative purposes only;

FIG. 2 is a front elevational view thereof on an enlarged scale;

FIG. 3 is a top plan view thereof on an enlarged scale;

FIG. 4 is a side elevational view thereof on an enlarged scale;

FIG. 5 is a bottom plan view thereof on an enlarged scale.

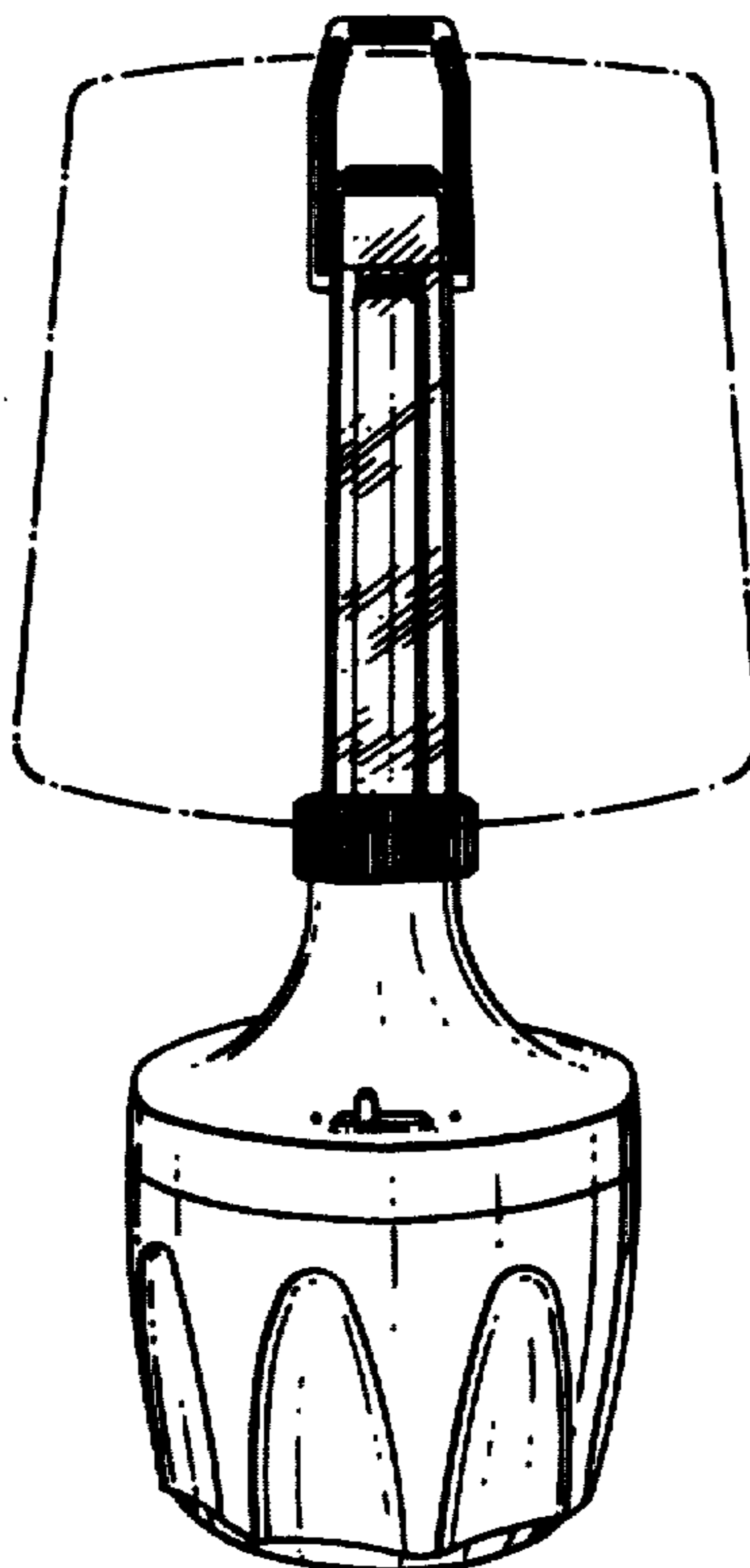


FIG. 1.

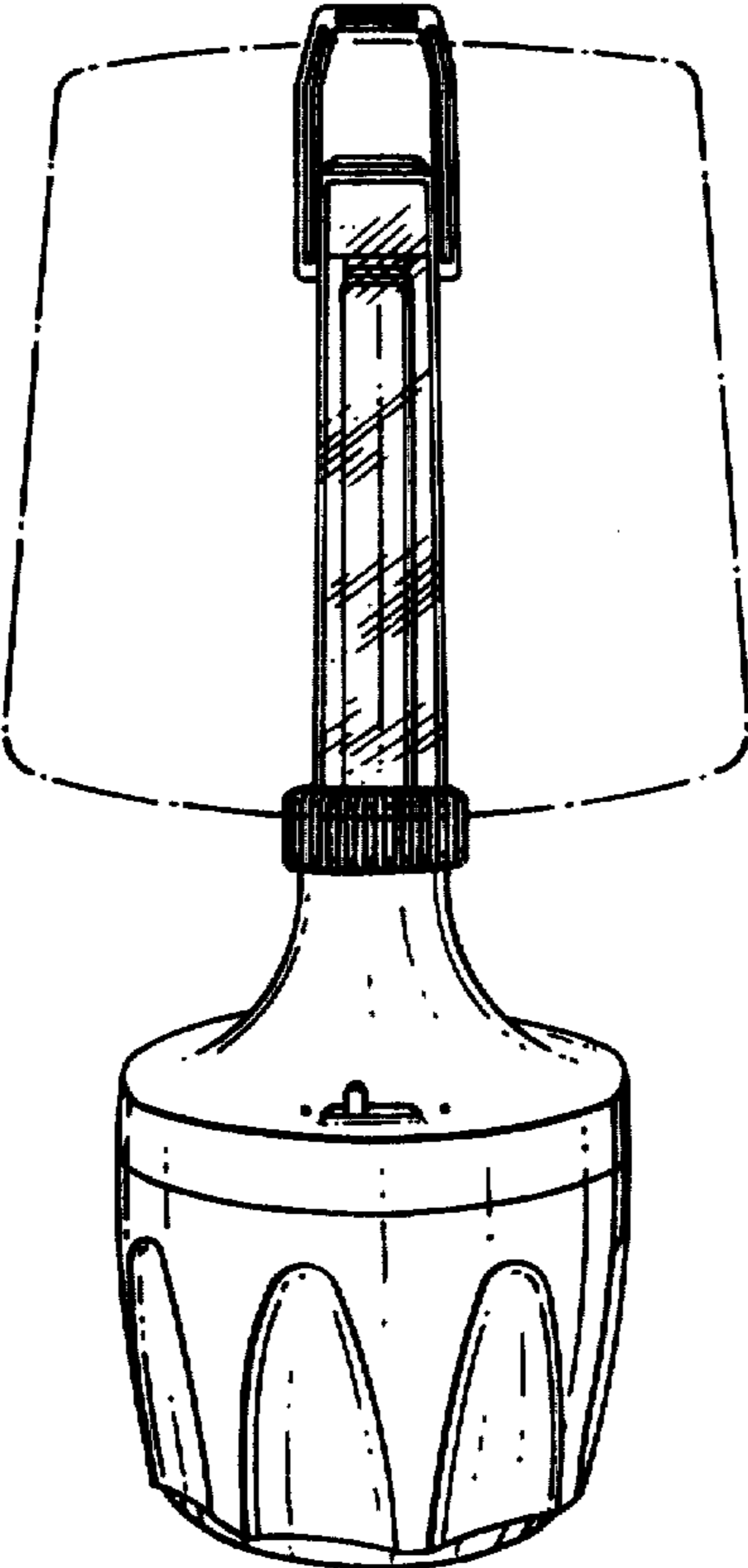


FIG. 2.

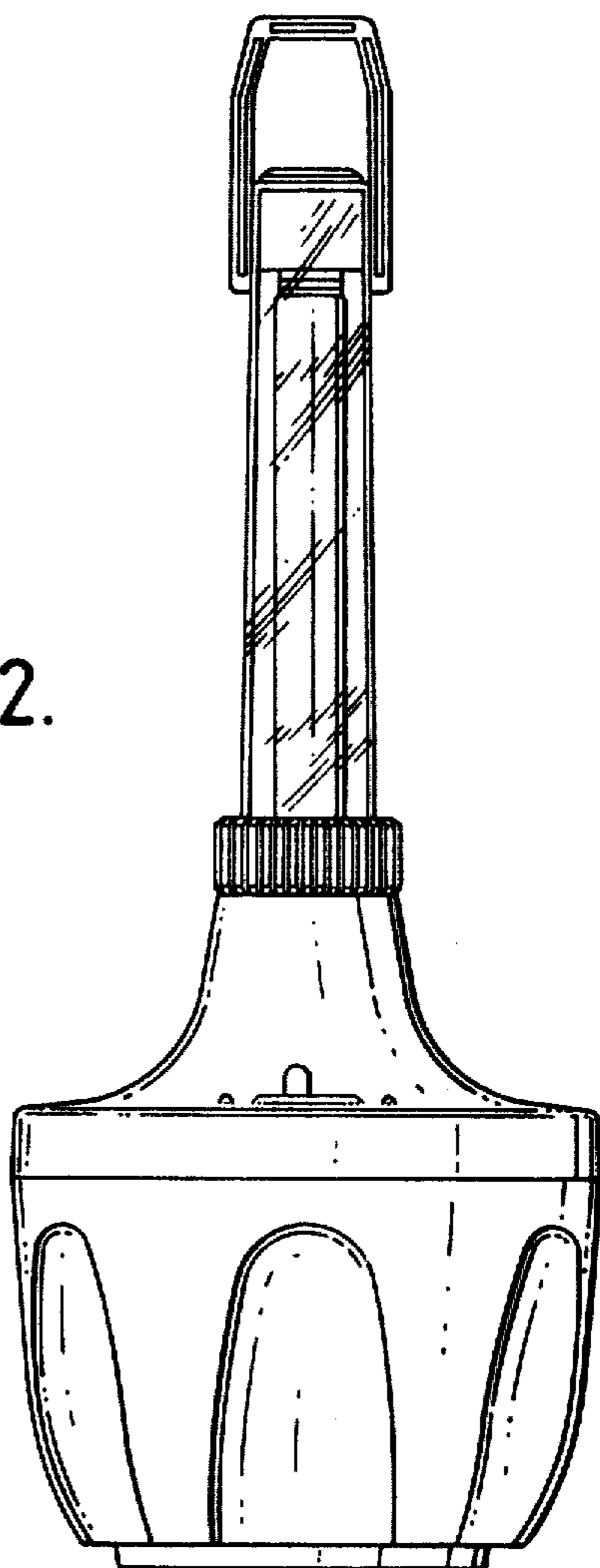


FIG. 3.

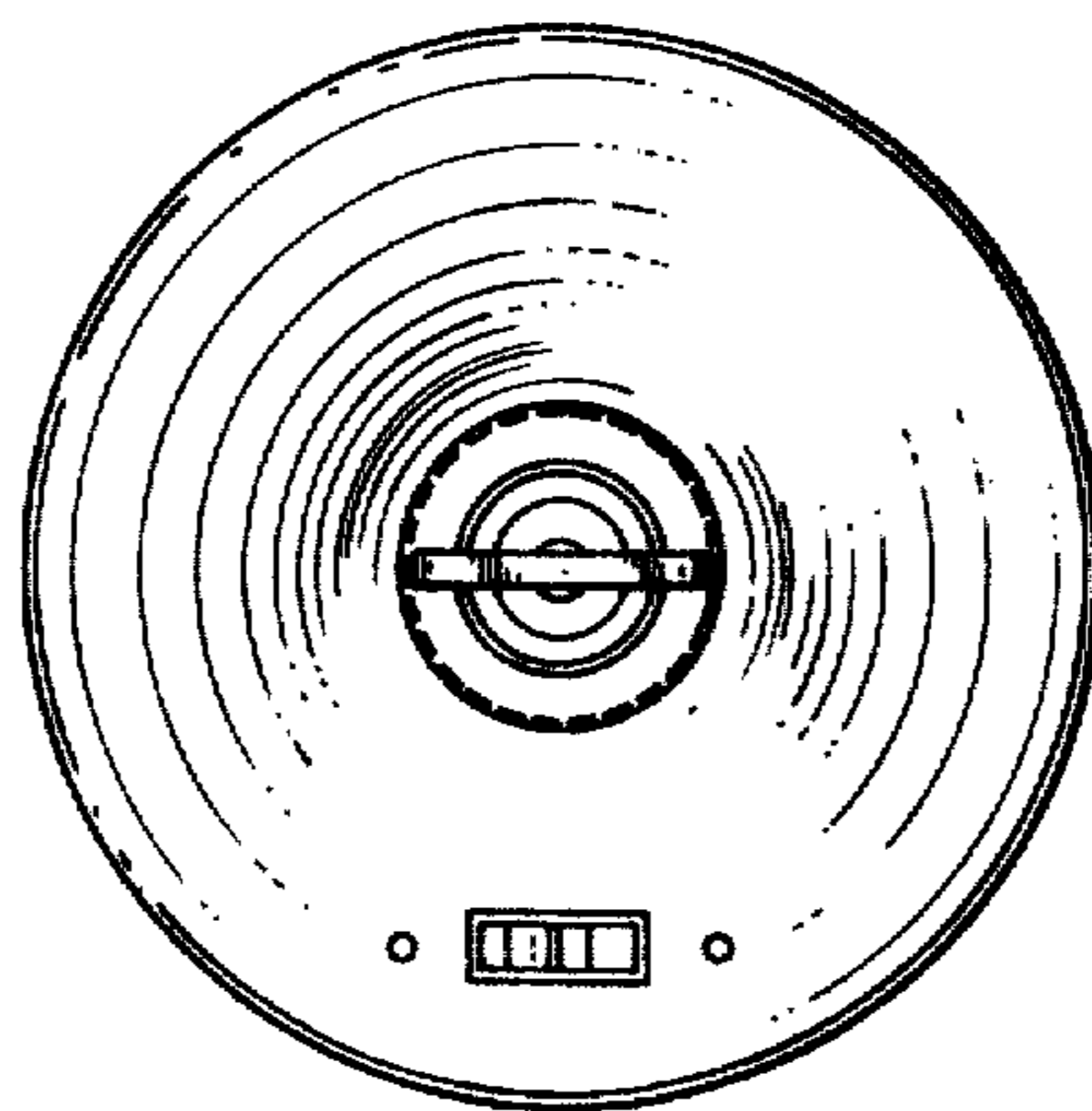


FIG. 4.

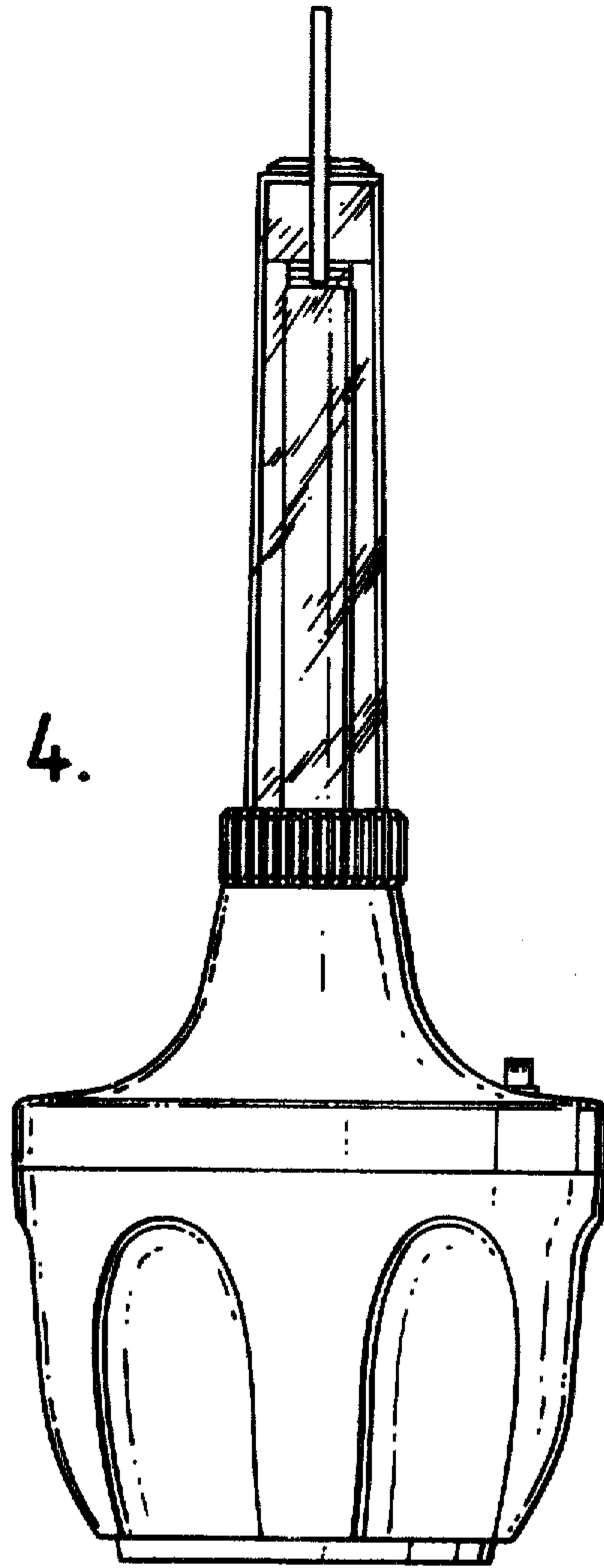


FIG. 5.

