

[54] FISHING LIGHT

3,277,292 10/1966 Horan ..... D26/87 X

[76] Inventor: Lanny H. Canady, 709 Emerald Garden, North Little Rock, Ark. 72118

[\*\*] Term: 14 Years

[21] Appl. No.: 216,180

[22] Filed: Dec. 15, 1980

[52] U.S. Cl. .... D26/61

[58] Field of Search ..... D26/61, 63, 64, 65, D26/66, 72, 85, 87, 92, 138, 145; 362/282, 285, 287, 300, 302, 269, 418, 427, 432

[56] References Cited

U.S. PATENT DOCUMENTS

D. 203,470 1/1966 Honig ..... D26/145  
2,907,543 10/1959 Heinzen ..... D26/145 X

OTHER PUBLICATIONS

Kelley Loading Lights Brochure, rear cover, Model L-1024 Light.

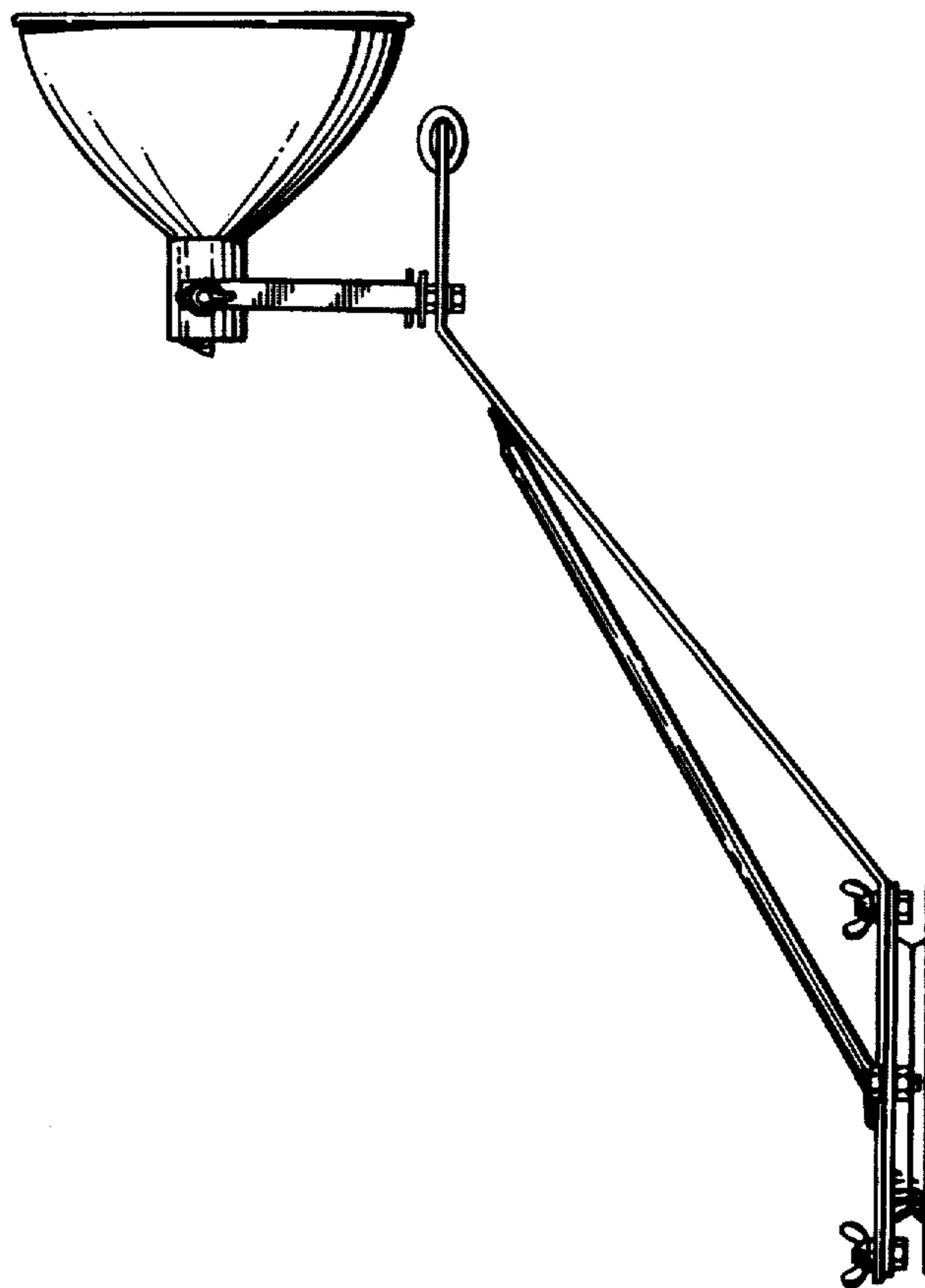
Primary Examiner—Susan J. Lucas  
Attorney, Agent, or Firm—Stephen D. Carver

[57] CLAIM

The ornamental design for a fishing light, as shown and described.

DESCRIPTION

FIG. 1 is a top plan view of a fishing light showing my new design;  
FIG. 2 is a side view thereof, the opposite side being a mirror image;  
FIG. 3 is a rear elevational view thereof; and,  
FIG. 4 is a front elevational view thereof.



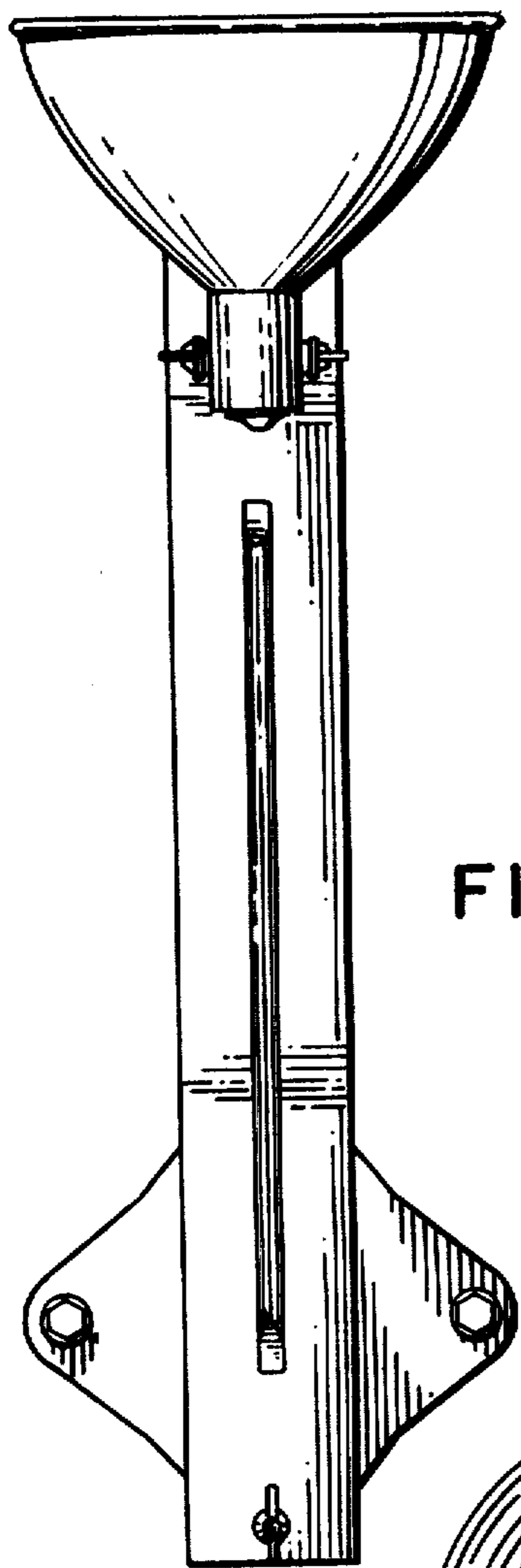


FIG. 1

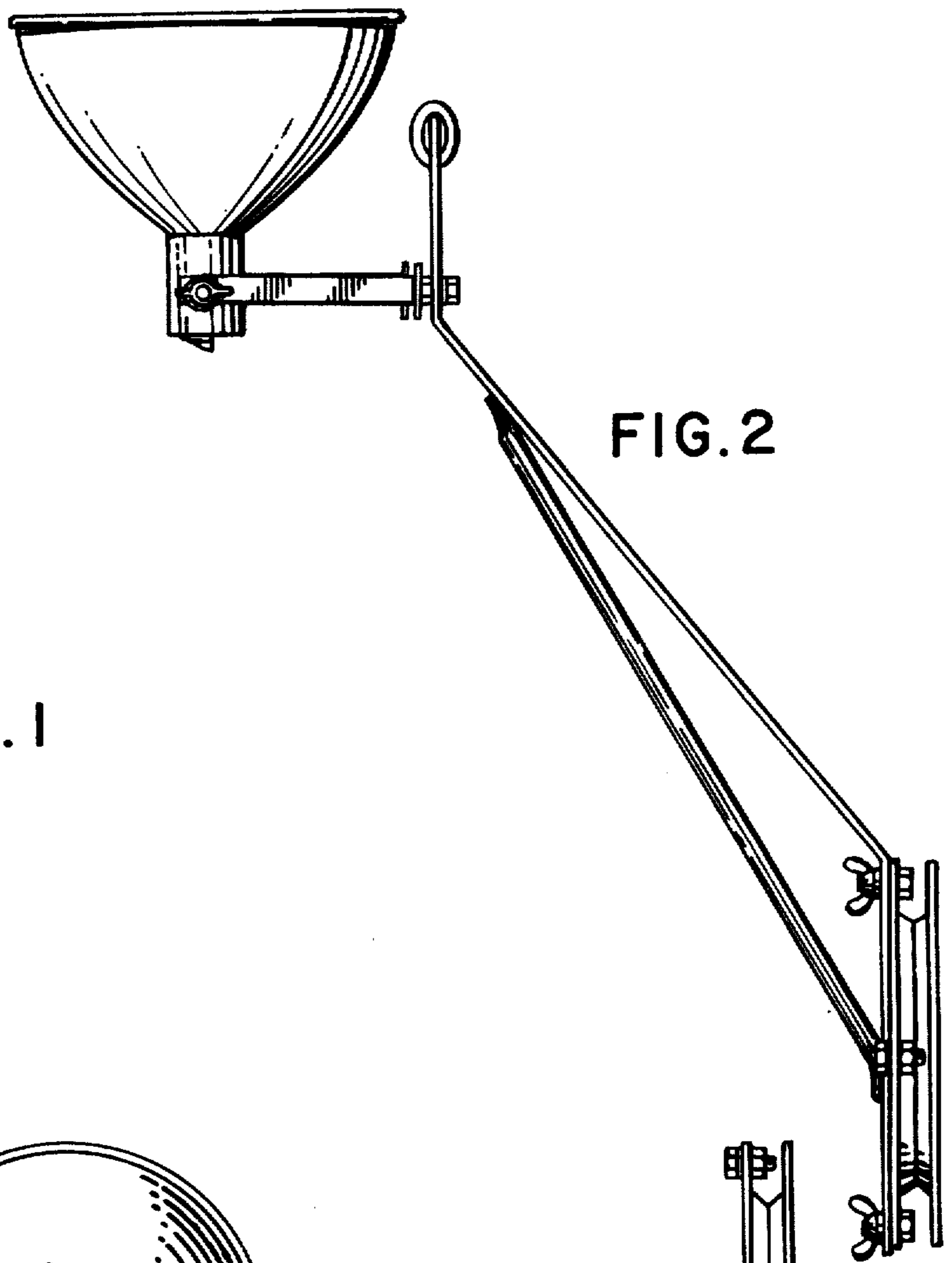


FIG. 2

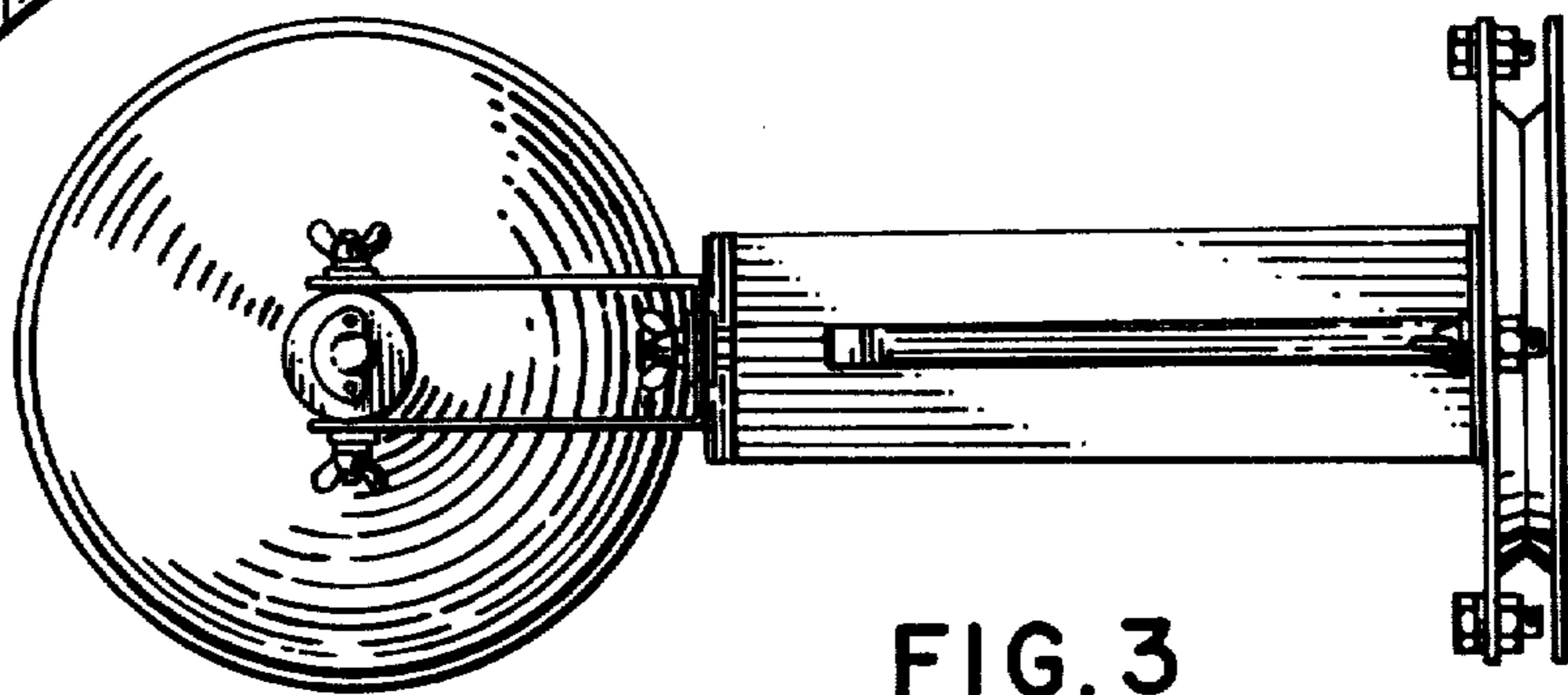


FIG. 3

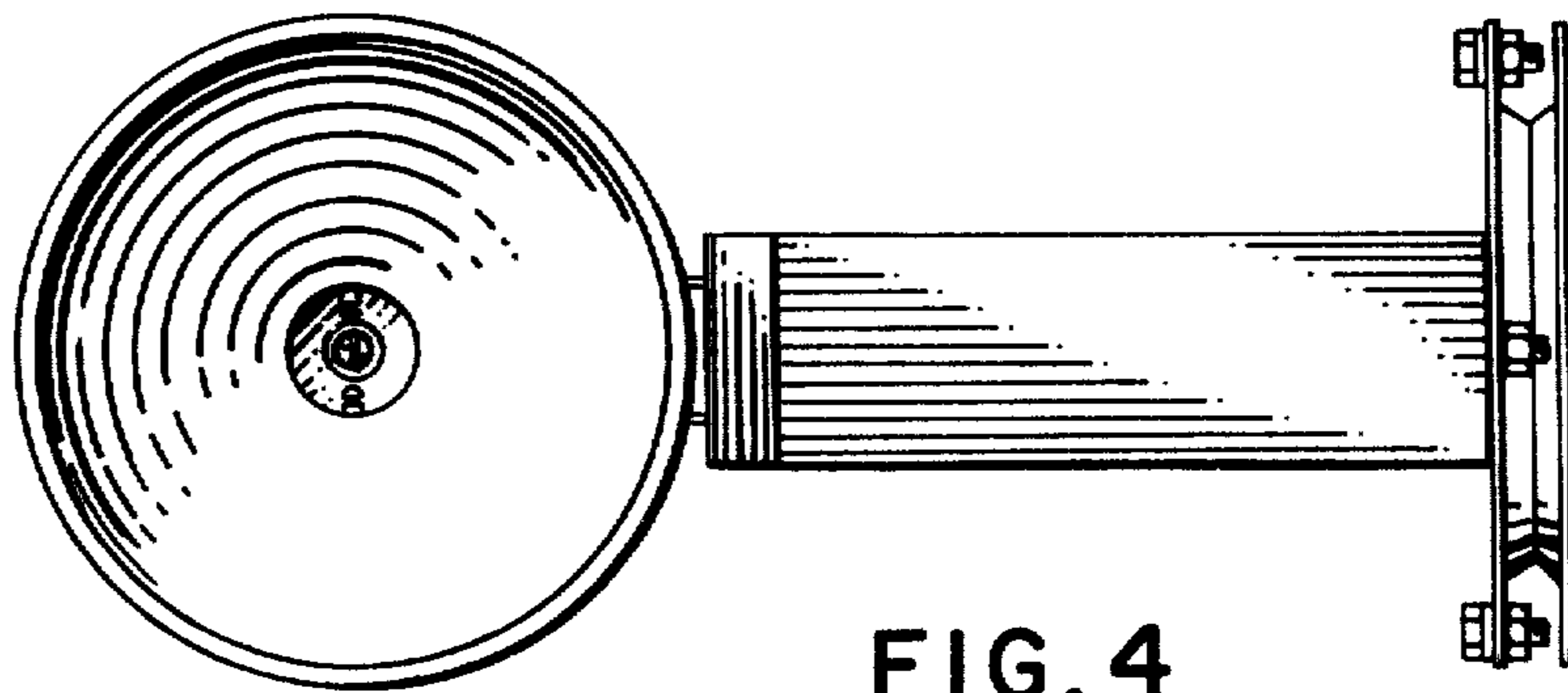


FIG. 4