

[54] **SUPPORT FOR A CANDLE AND THE LIKE**

[75] **Inventor:** Donald A. Kaufmann, West  
Bloomfield, Mich.

[73] **Assignee:** Florists' Transworld Delivery Assn.,  
Southfield, Mich.

[\*\*] **Term:** 14 Years

[21] **Appl. No.:** 296,115

[22] **Filed:** Aug. 25, 1981

**Related U.S. Application Data**

- [63] Continuation-in-part of Ser. No. 140,990, Apr. 17, 1980.
- [52] **U.S. Cl.** ..... D26/23; D26/9; D26/10; D26/55
- [58] **Field of Search** ..... D26/9-13, D26/15, 20, 23, 55; 431/288-297, 253; 362/122, 161, 154; 47/41, 23, 43; D7/19, 37; D11/143, 144, 152, 153

[56]

**References Cited**

**U.S. PATENT DOCUMENTS**

447,339 3/1891 Messmer .  
1,183,737 5/1916 King ..... 431/292

**OTHER PUBLICATIONS**

Applied Arts in Denmark, 1948, p. 35, Candlestick

*Primary Examiner*—Susan J. Lucas  
*Attorney, Agent, or Firm*—Gifford, VanOphem,  
Sheridan and Sprinkle

[57]

**CLAIM**

The design for a support for a candle and the like, as shown.

**DESCRIPTION**

FIG. 1 is a top plan view of a support for a candle and the like shown in my new design;  
FIG. 2 is a side elevational view of the support for a candle and the like shown in FIG. 1;  
FIG. 3 is a bottom plan view of the support for a candle and the like shown in FIG. 1; and  
FIG. 4 is a perspective view of the support for a candle and the like shown in FIG. 1 on a reduced scale.

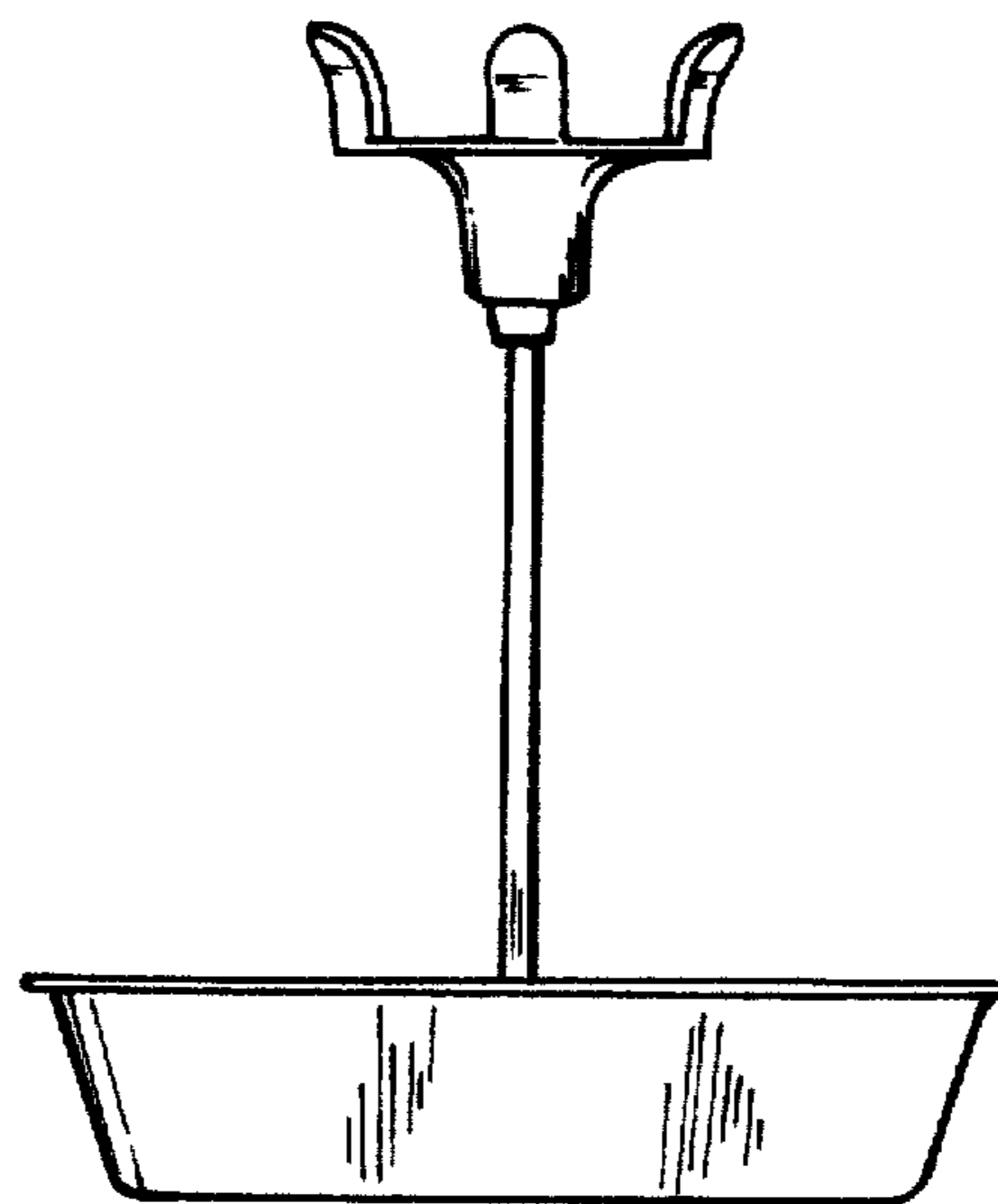


FIG-1

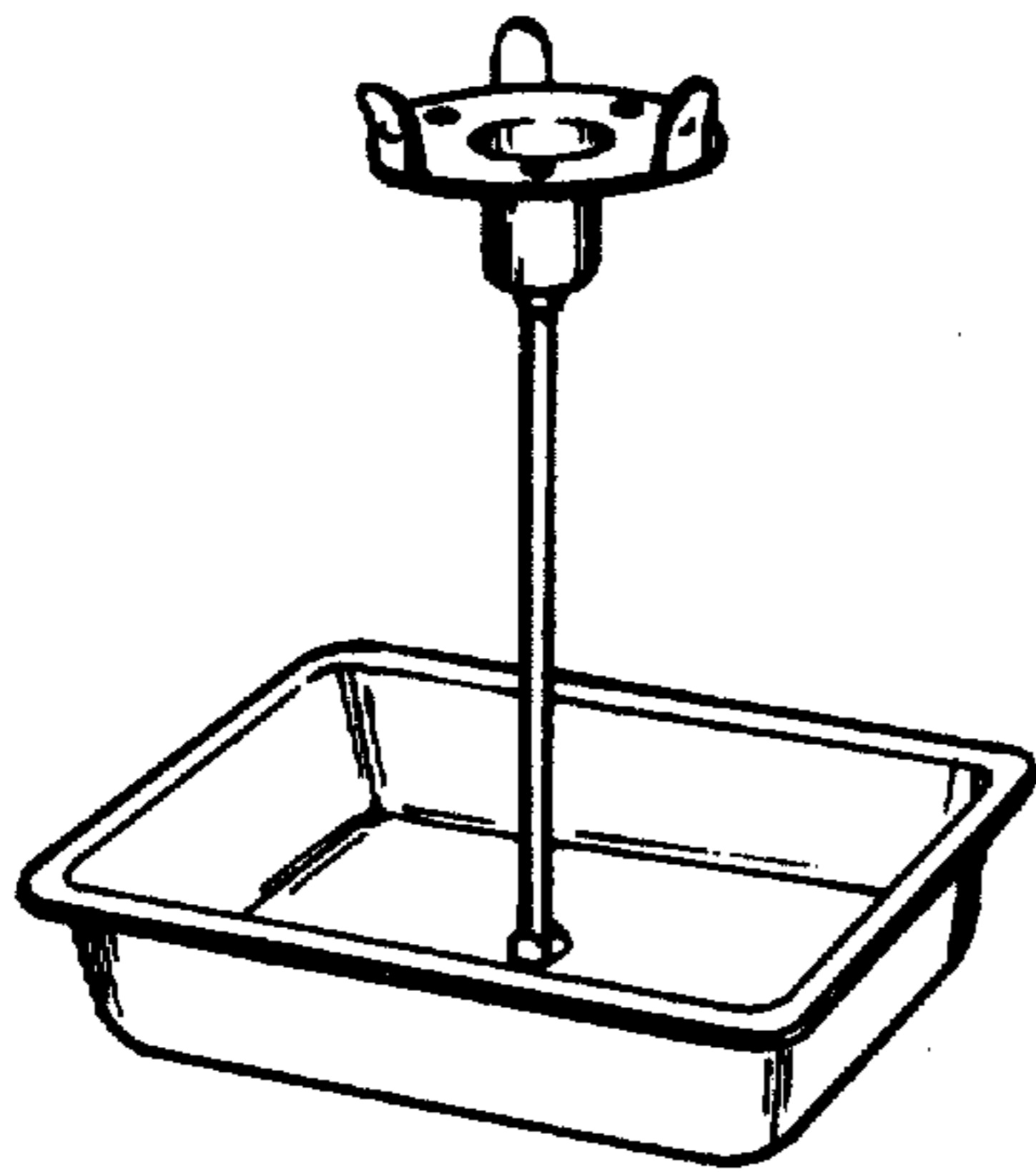
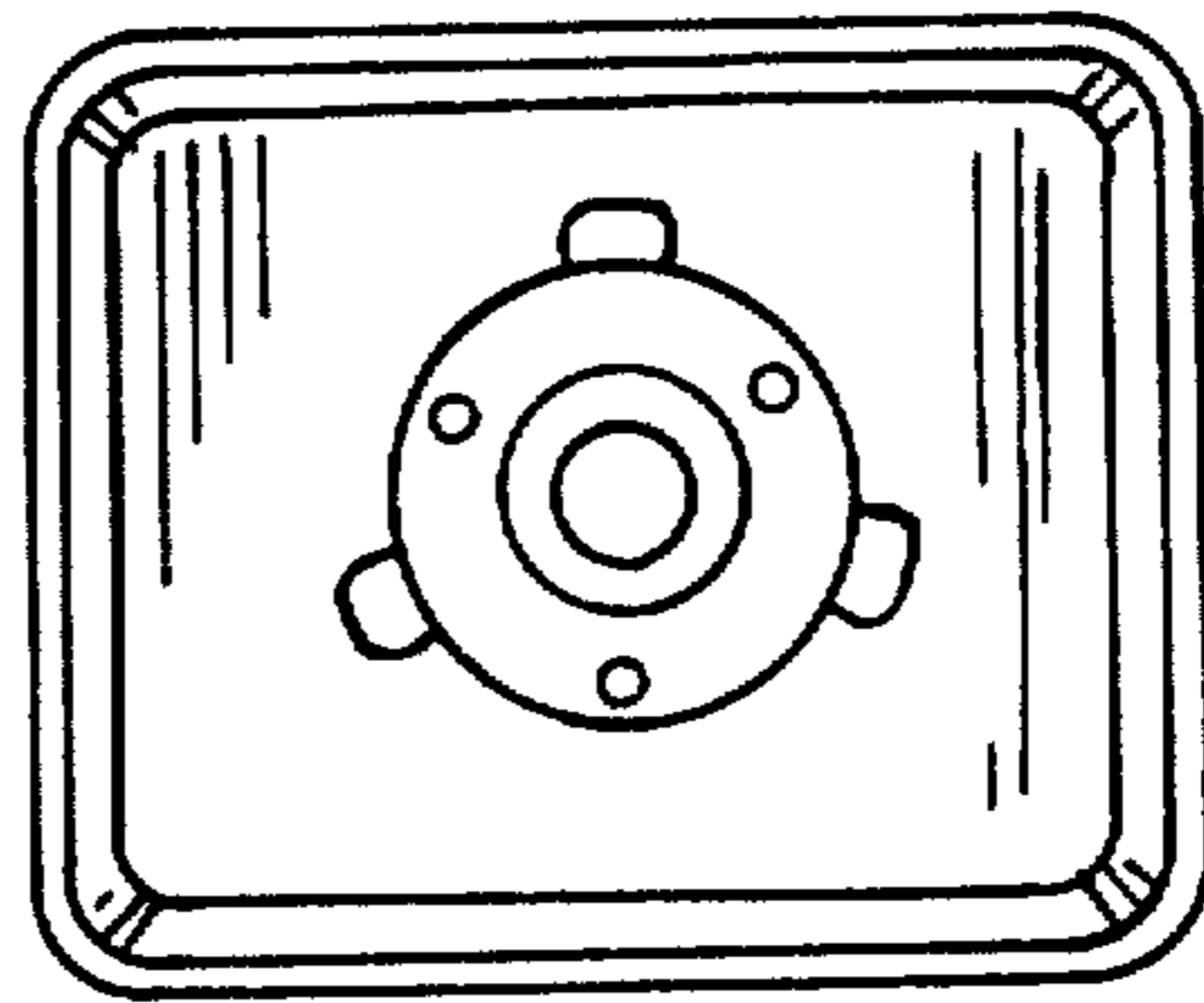


FIG-4

FIG-2

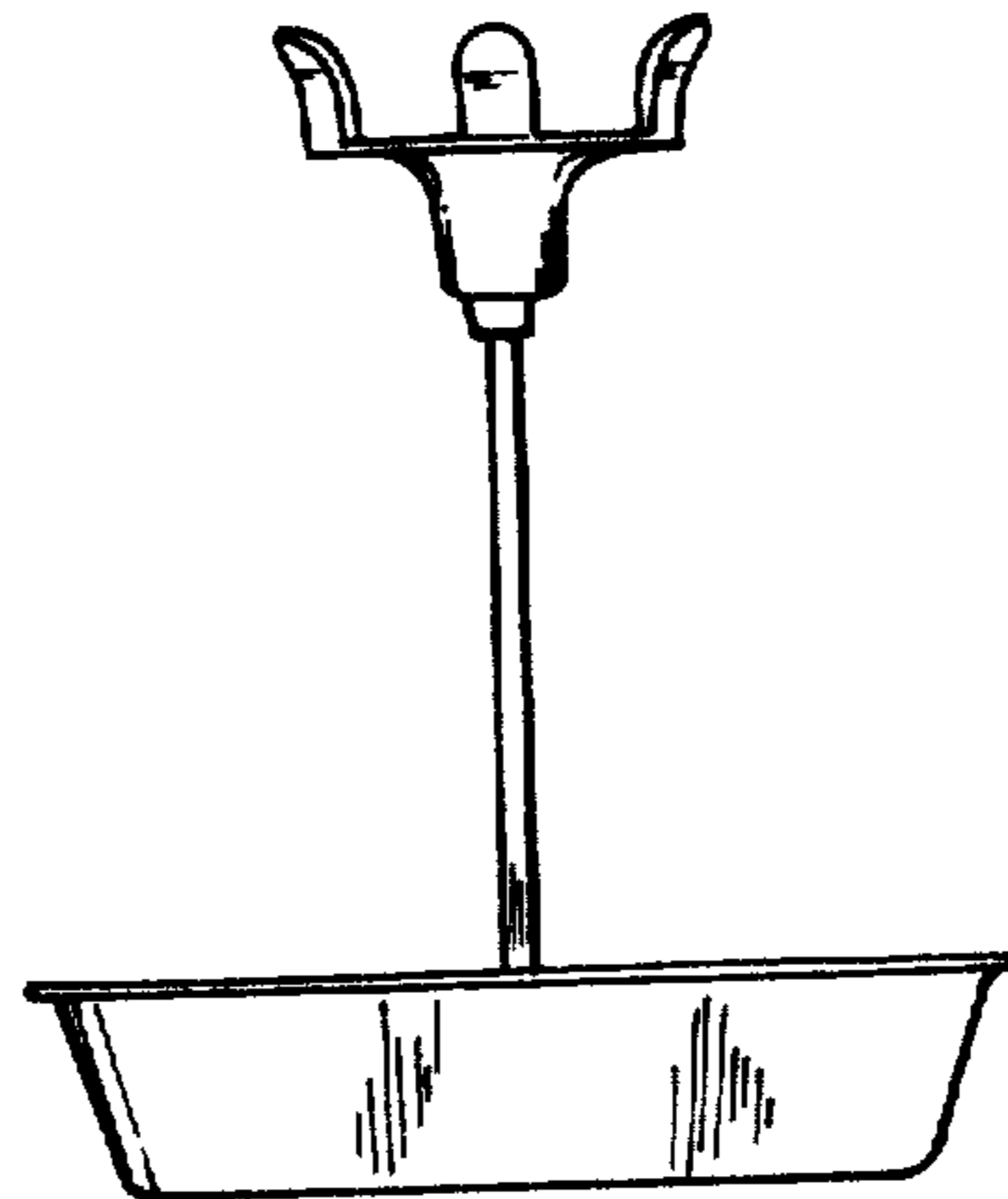


FIG-3

