

[54] URINAL

[76] Inventors: Thomas E. Babic, 330 Milliken Ave.;  
Albert M. Pepe, 334 Ridge Ave.,  
both of Sharpville, Pa. 16150

[\*\*] Term: 14 Years

[21] Appl. No.: 336,421

[22] Filed: Dec. 31, 1981

[52] U.S. Cl. .... D24/54

[58] Field of Search ..... 604/322, 317, 353;  
4/450, 454, 144.1, 144.2, 144.3, 144.4; D24/54

[56] References Cited

U.S. PATENT DOCUMENTS

D. 138,651	8/1944	Korotev et al. ....	D24/54
D. 212,574	10/1968	Gelak et al. ....	D24/54
D. 244,403	5/1977	DeAngelis ....	D24/54
D. 265,589	7/1982	Lahay ....	D24/54
1,440,765	1/1923	Buckley ....	D24/54 X
3,422,463	1/1969	Lowry ....	D24/54 X
4,050,103	9/1977	Nakao ....	4/144.3
4,117,845	10/1978	Brown ....	4/144.1 X

4,121,306 10/1978 Bringman ..... 4/144.2

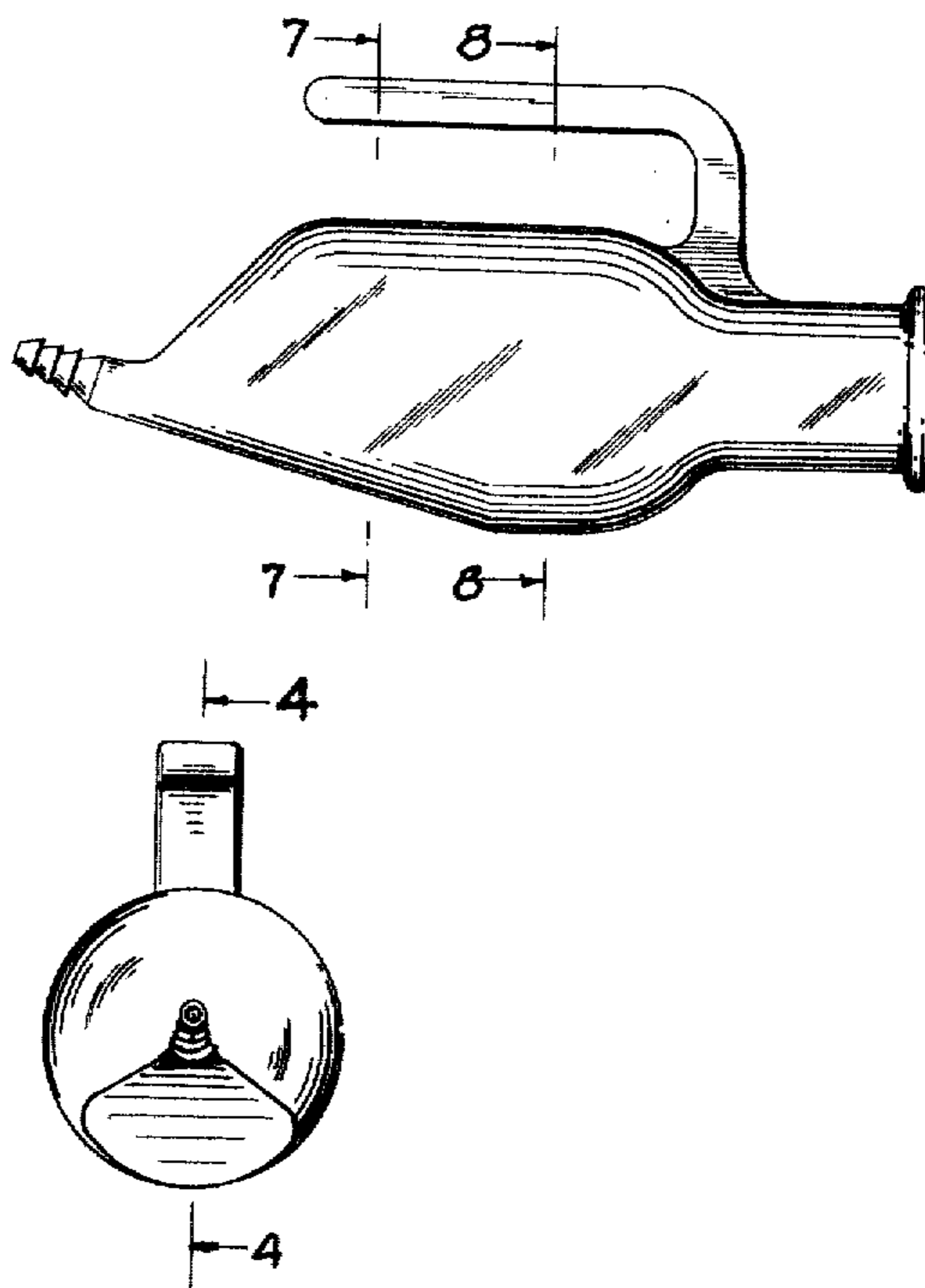
Primary Examiner—Bernard Ansher  
Attorney, Agent, or Firm—Michael Williams

[57] CLAIM

The ornamental design for a urinal, substantially as shown and described.

DESCRIPTION

FIG. 1 is a side elevational view of a urinal, showing our new design,  
 FIG. 2 is an elevational view of one end thereof, looking from the left-hand side of FIG. 1,  
 FIG. 3 is an elevational view of the opposite end thereof, looking from the right-hand side of FIG. 1,  
 FIG. 4 is a sectional view thereof, corresponding to the line 4—4 of FIG. 2,  
 FIG. 5 is a top plan view thereof,  
 FIG. 6 is a bottom plan view thereof,  
 FIG. 7 is a transverse sectional view, corresponding to the line 7—7 of FIG. 1, and  
 FIG. 8 is a transverse sectional view, corresponding to the line 8—8 of FIG. 1.



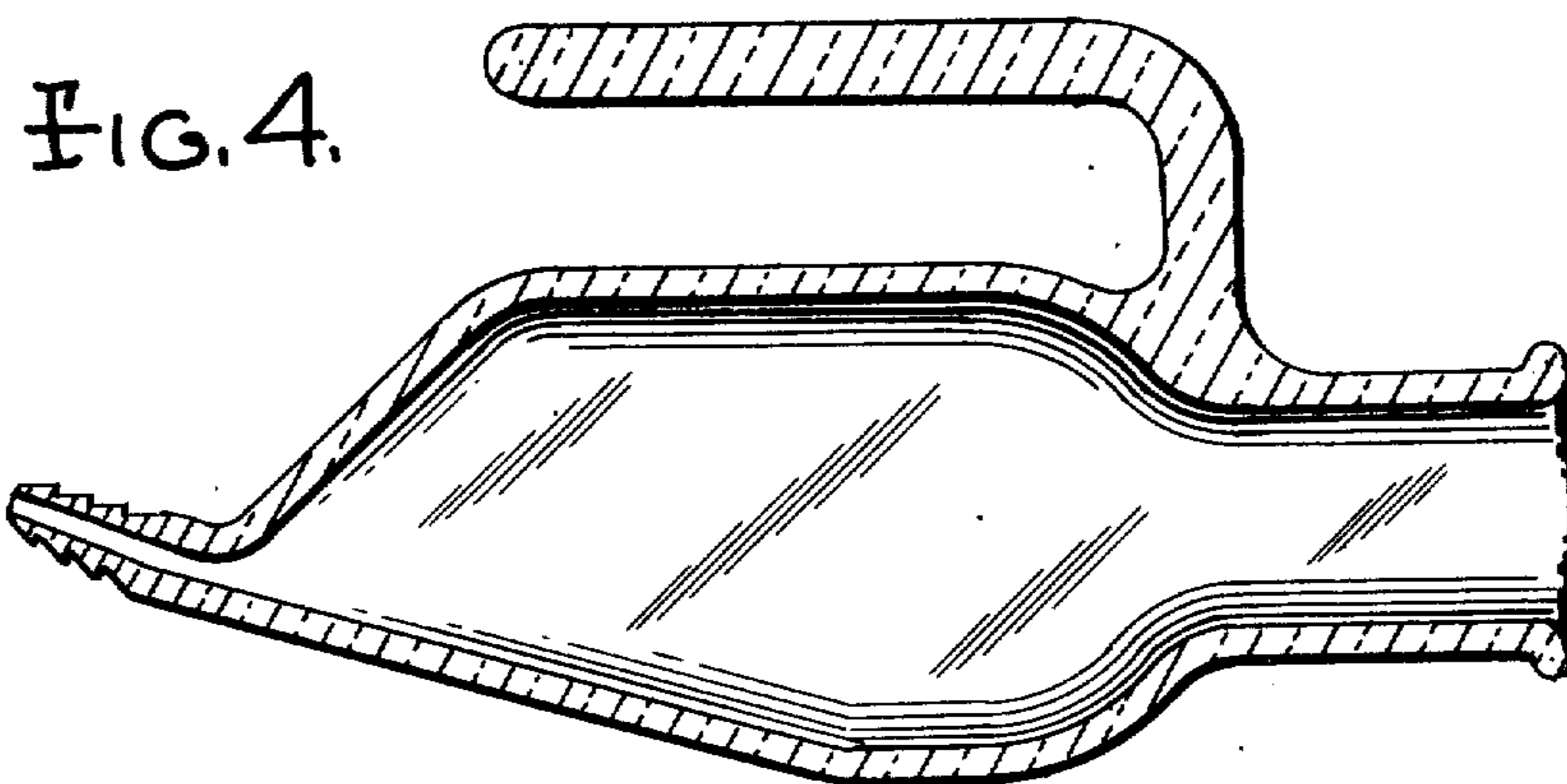
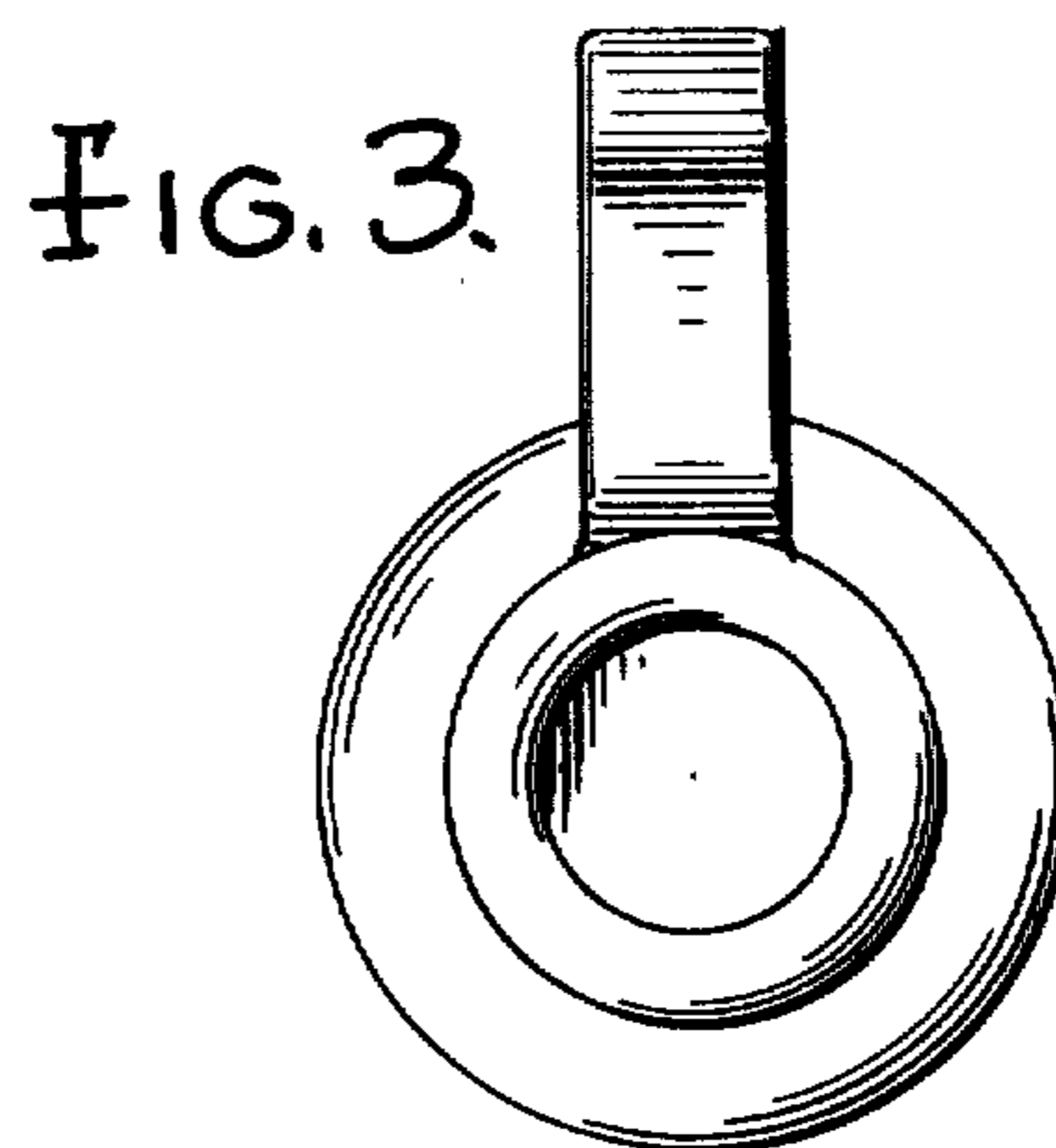
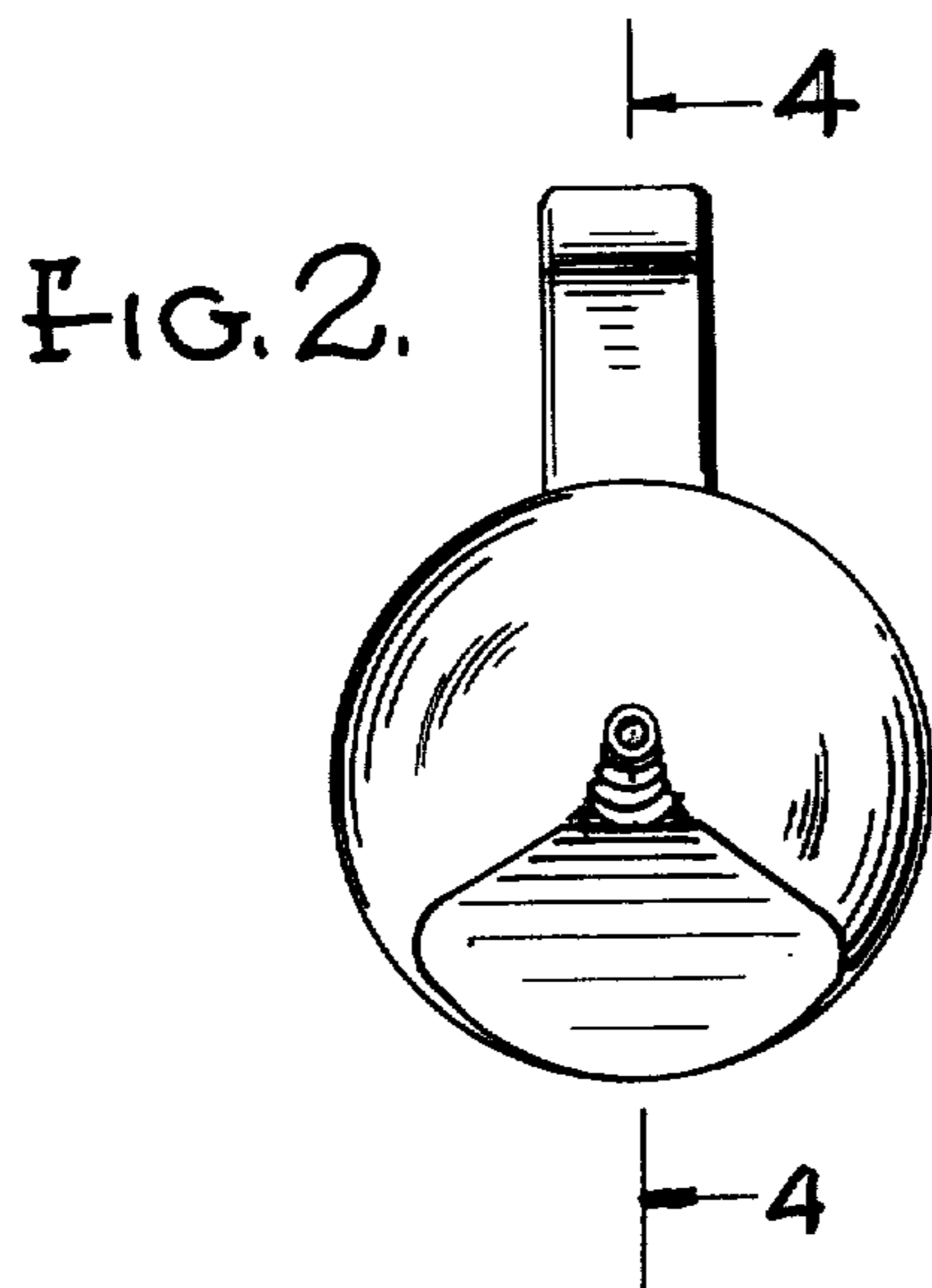
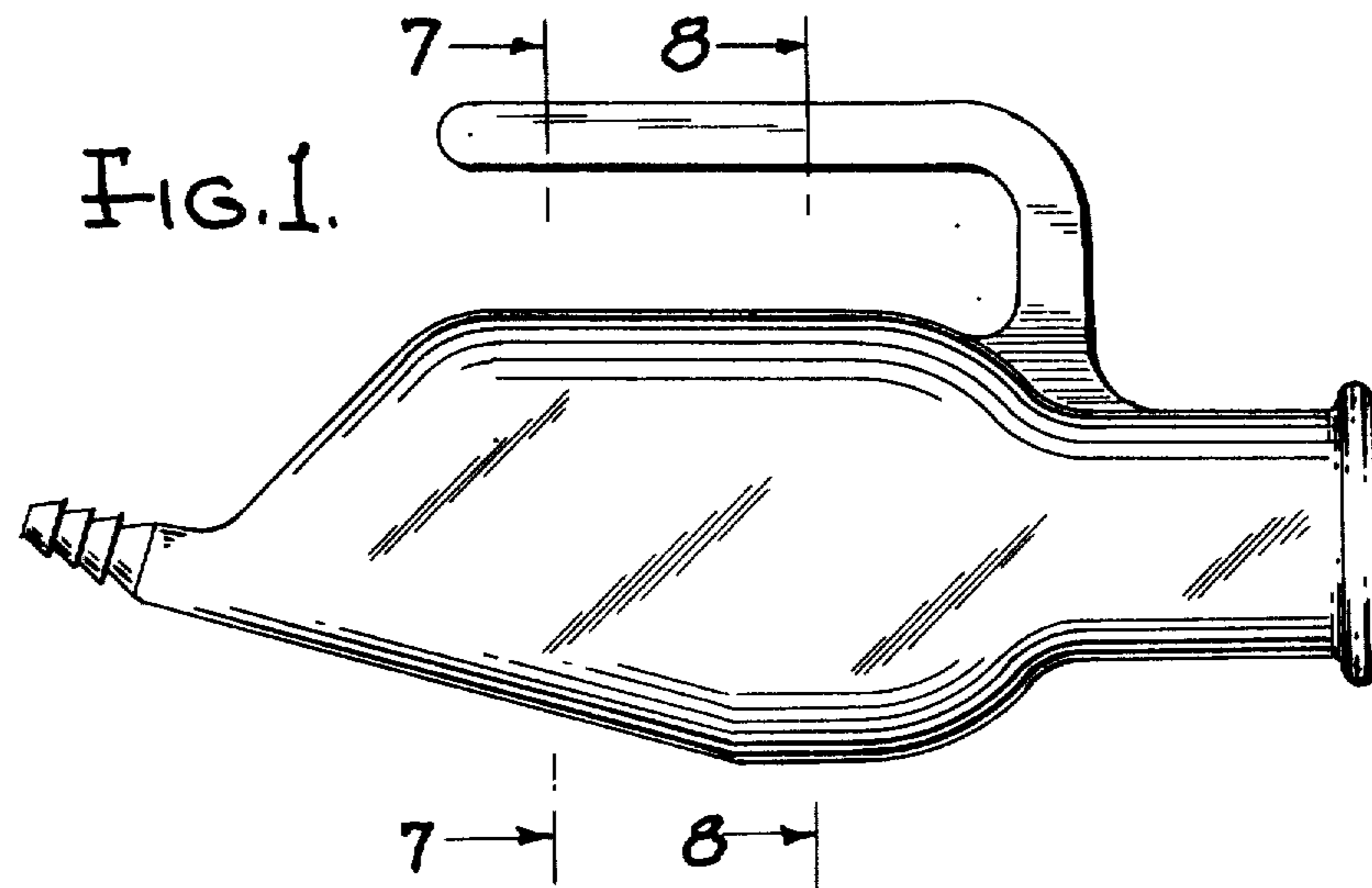


FIG. 5.

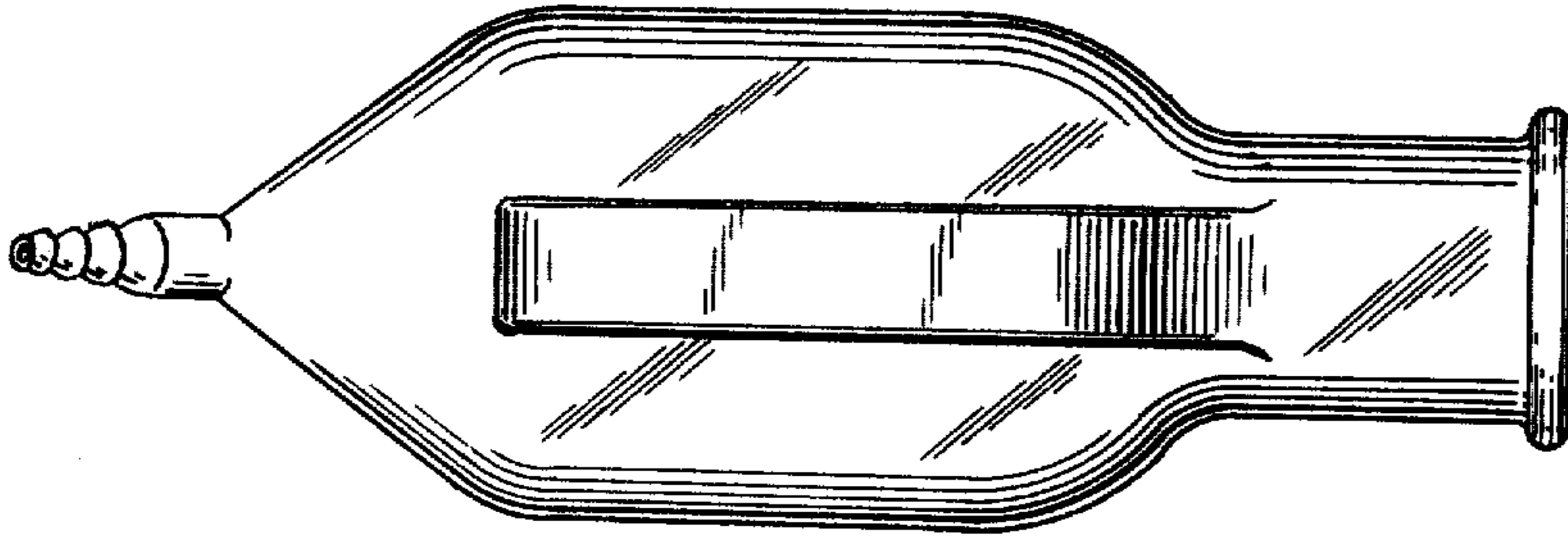


FIG. 6.

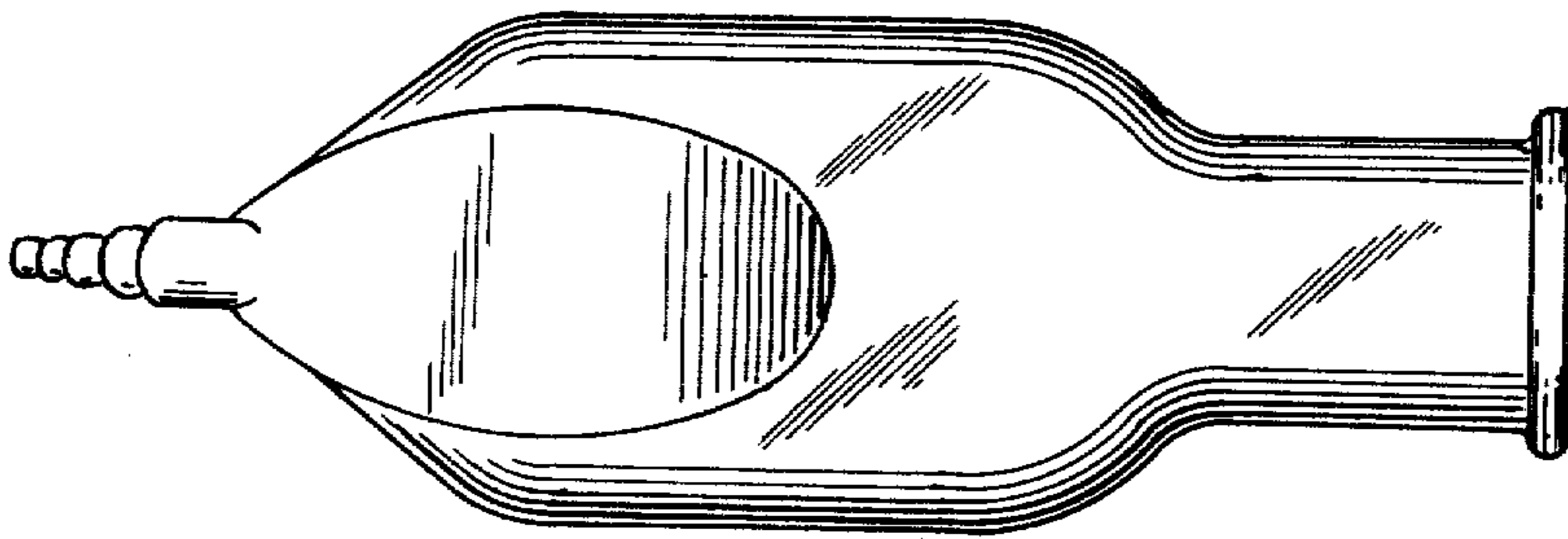


FIG. 7.

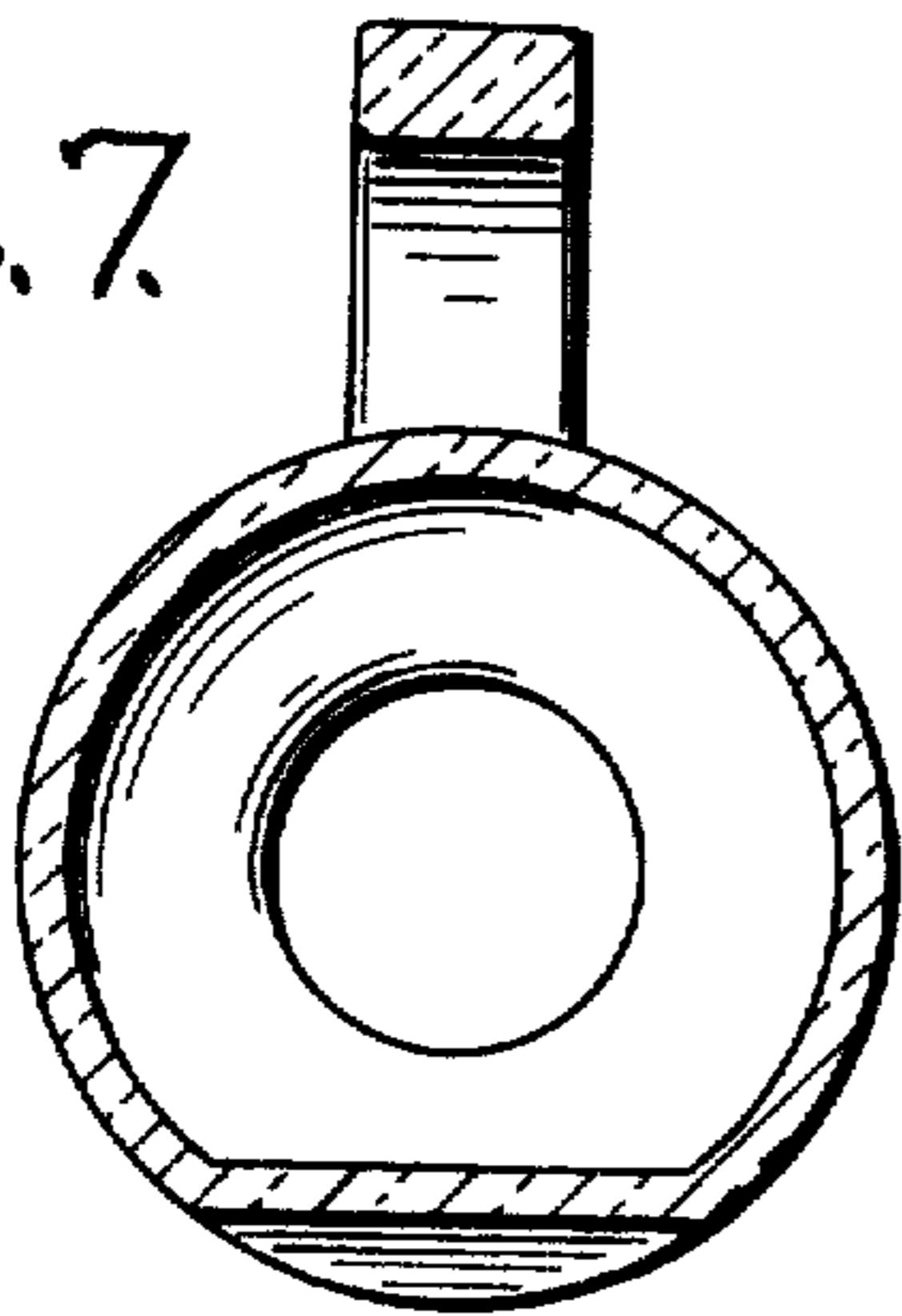


FIG. 8.

